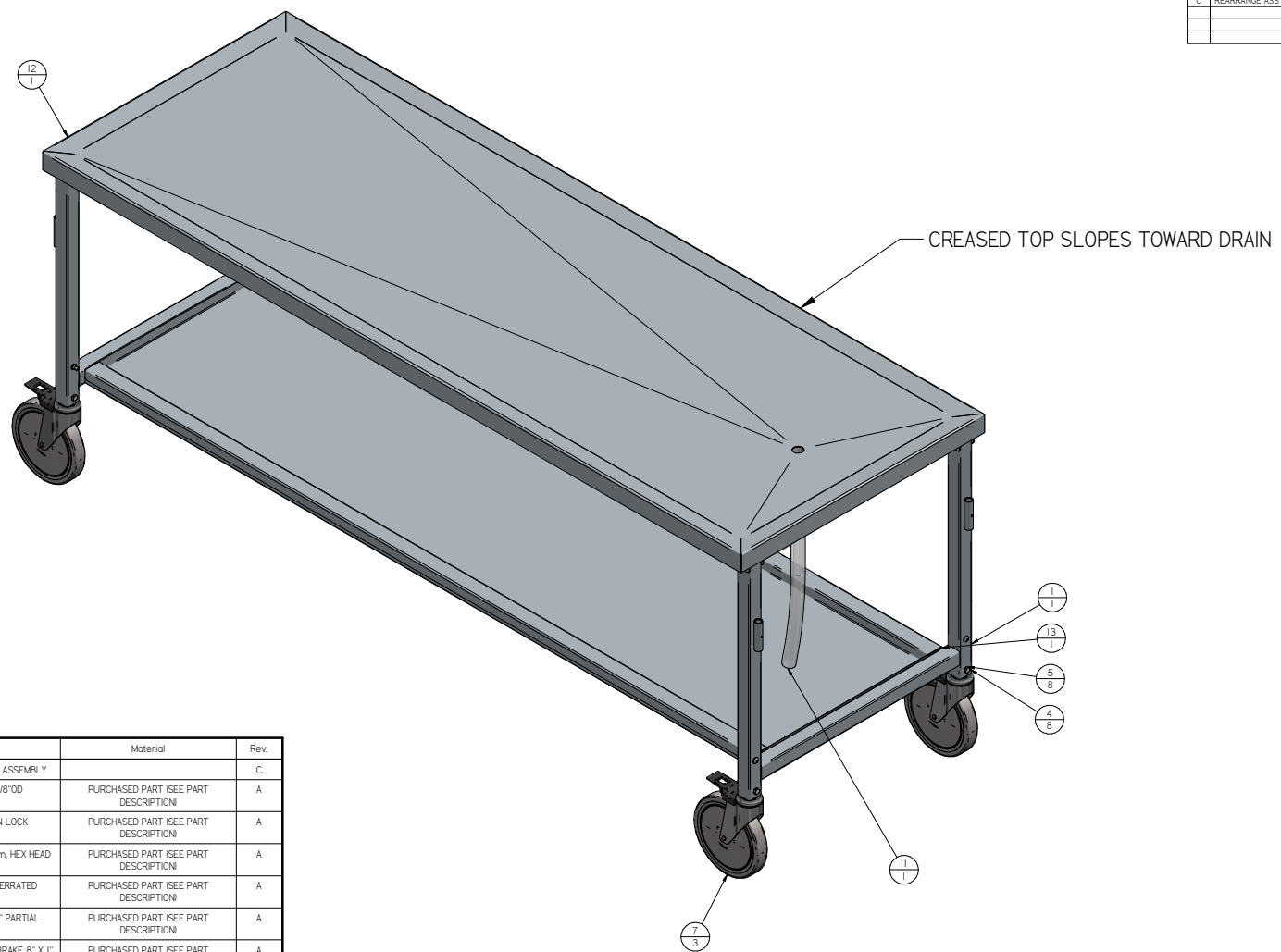


REV	DESCRIPTION	DATE	BY	APP
A	INITIAL RELEASE	00-XXX-19	XXXXX	MM
B	NA	NA	NA	NA
C	REARRANGE ASSY STRUCT	06-03-2026	312	BD



Item #	Qty	File Name	Title	Material	Rev.
1	1	H01101-Casm	NON-ELEVATING CART FRAME ASSEMBLY		C
2	8	PB0001.par	WASHER - SS, 1/4"ID x 5/8"OD	PURCHASED PART ISEE PART DESCRIPTION	A
3	4	PB0016.par	NUT - SS, 1/4"-20, NYLON LOCK	PURCHASED PART ISEE PART DESCRIPTION	A
4	8	PB0137.par	BOLT - ZINC, M8 x 1.25 x 14mm, HEX HEAD	PURCHASED PART ISEE PART DESCRIPTION	A
5	8	PB0211.par	WASHER - SS, M8 x 5/16", SERRATED BELLEVILLE	PURCHASED PART ISEE PART DESCRIPTION	A
6	4	PB0303.par	BOLT - SS - 1/4"-20 x 2-1/4" PARTIAL THREAD	PURCHASED PART ISEE PART DESCRIPTION	A
7	3	PM0851.par	CASTER, SWIVEL, W/STEM 32 -BRAKE 8" X 1" TOTAL LOCK	PURCHASED PART ISEE PART DESCRIPTION	A
8	1	PM0852.par	CASTER, SWIVEL, W/STEM 32 - BRAKE 8" X 1" DIRECTIONAL LOCK	PURCHASED PART ISEE PART DESCRIPTION	A
9	1	pp0047.par	FITTING - PVC BALL VALVE - 1" NPT	PURCHASED PART ISEE PART DESCRIPTION	
10	1	pp0121.par	PVC ADAPTER - 1" MNPT X 3/4" BARB	PURCHASED PART ISEE PART DESCRIPTION	
11	1	PP1001-Apar	DRAIN TUBE	PURCHASED PART ISEE PART DESCRIPTION	A
12	1	S6179-Basm	HA210 TOP AND LEG SOCKET ASSY		C
13	1	S7021-Apsm	RECESSED SHELF	SHT, SS, 18 GA, 304	A

MOPEC LEGAL NOTE
 THIS DOCUMENT CONTAINS
 PROPRIETARY INFORMATION OF
 MOPEC, AND MAY NOT BE COPIED IN WHOLE
 OR PART, AND NO USE SHALL BE MADE OF
 IT OTHER THAN FOR WHICH IT HAS BEEN
 SUBMITTED WITHOUT THE WRITTEN
 PERMISSION OF A MOPEC MANAGER
 MOPEC 2026

UNLESS OTHERWISE SPECIFIED
 ALL DIMENSIONS IN INCHES
 TOLERANCES 0.0 ± 0.1 in
 0.00 ± 0.05 in
 0.000 ± 0.010 in
 0.0000 ± 0.0010 in
 ANGLES ± 0.5°
 BREAK ALL CORNERS 0.063 x 45°
 ALL FILLET RADI R0.063 (0.25 in)
 INSPECT OVAL DIMENSIONS

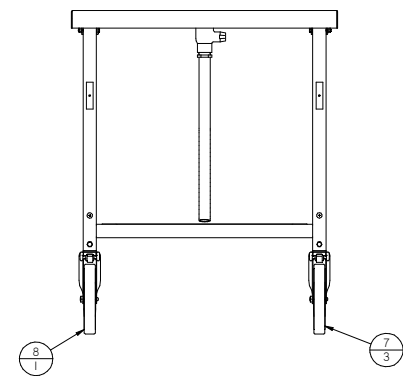
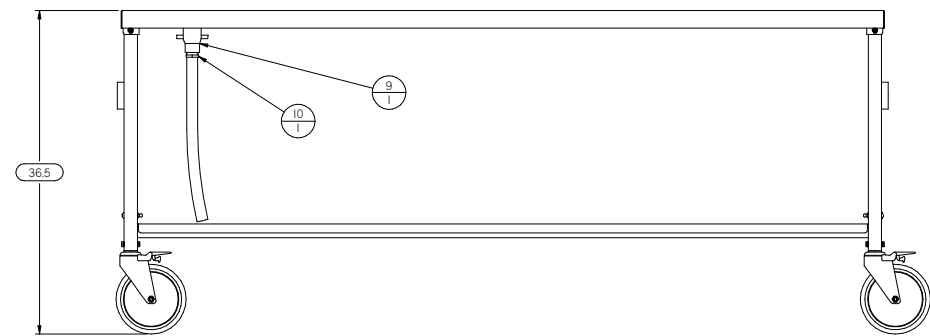
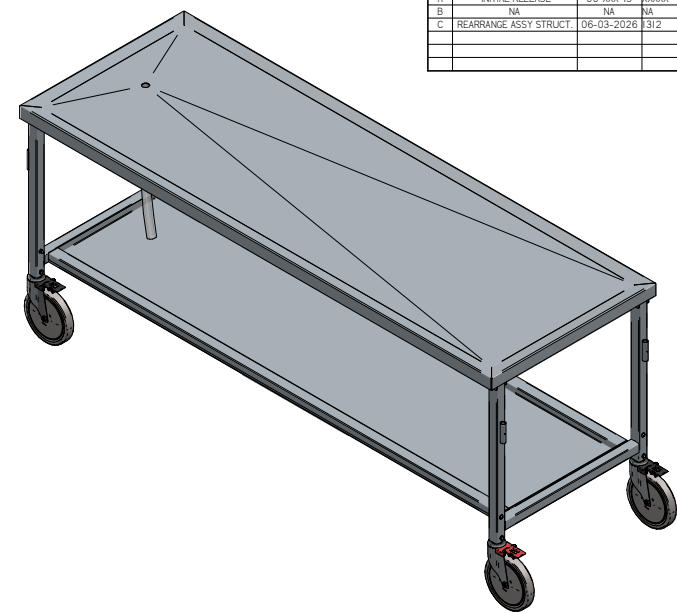
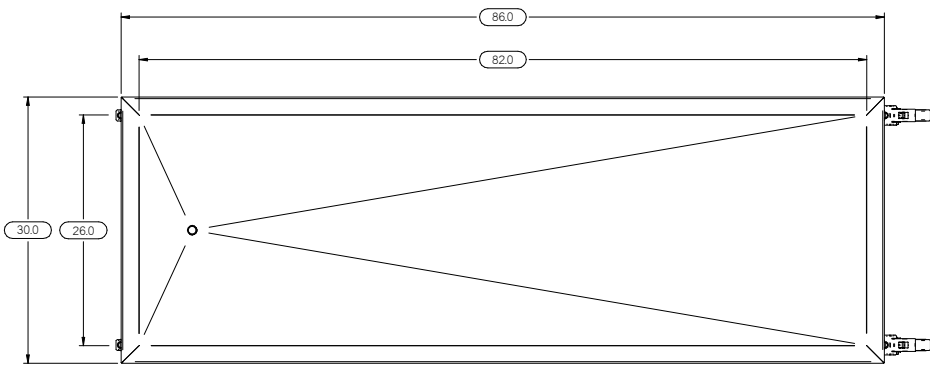
MOPEC GROUP
MORTECH
 MOPEC GROUP
 MOPEC GROUP
 MOPEC GROUP

DRAWN BY: bdeivins
 DATE: 6/2/2026
 CHECKED BY:
 DATE: 6/2/2026
 APPROVED BY:
 DATE: MMCCCLAIN
 6/2/2026

PART NUMBER: HA200-C
 DESCRIPTION: DISSECTING TABLE CREASED TOP
 SIZE: A2
 FILE NAME: HA200-C.dft
 SCALE: 2:1
 DO NOT SCALE IF IN DOUBT ASK
 SHEET 1 OF 2

HA200-C.dft

REV	DESCRIPTION	DATE	BY	APP
A	INITIAL RELEASE	00-XXX-19	XXXXX	MM
B	NA	NA	NA	NA
C	REARRANGE ASSY STRUCT	06-03-2026	312	BD



MOPEC LEGAL NOTE THIS DOCUMENT CONTAINS PROPRIETARY INFORMATION OF MOPEC, AND MAY NOT BE COPIED IN WHOLE OR PART, AND NO USE SHALL BE MADE OF IT OTHER THAN FOR WHICH IT HAS BEEN SUBMITTED WITHOUT THE WRITTEN PERMISSION OF A MOPEC MANAGER MOPEC 2026	UNLESS OTHERWISE SPECIFIED ALL DIMENSIONS IN INCHES TOLERANCES: 0.0 ± 0.1 in 0.00 ± 0.05 in 0.000 ± 0.010 in 0.0000 ± 0.0010 in ANGLES: ± 0.5° BREAK ALL CORNERS: 0.063 x 45° ALL FILLET RADI: R0.063 (0.125 in) INSPECT OVAL DIMENSIONS	MATERIAL: 	DRAWN BY: bdevins DATE: 6/2/2026 CHECKED BY: --- DATE: 6/2/2026 APPROVED BY: --- DATE: MMCCCLAIN 6/2/2026	PART NUMBER: HA200-C DESCRIPTION: DISSECTING TABLE CREASED TOP SIZE: A2 FILE NAME: HA200-C.dft SCALE: 1:1 DO NOT SCALE IF IN DOUBT ASK	SHEET 2 OF 2
	MOPEC GROUP <small>MOPEC GROUP</small>			DRAWN TO STD ANGLE PROJECTION	SHEET 2 OF 2
	MOPEC 2026		MOPEC GROUP	DRAWN TO STD ANGLE PROJECTION	SHEET 2 OF 2
	MOPEC 2026		MOPEC GROUP	DRAWN TO STD ANGLE PROJECTION	SHEET 2 OF 2

HA200-C.dft