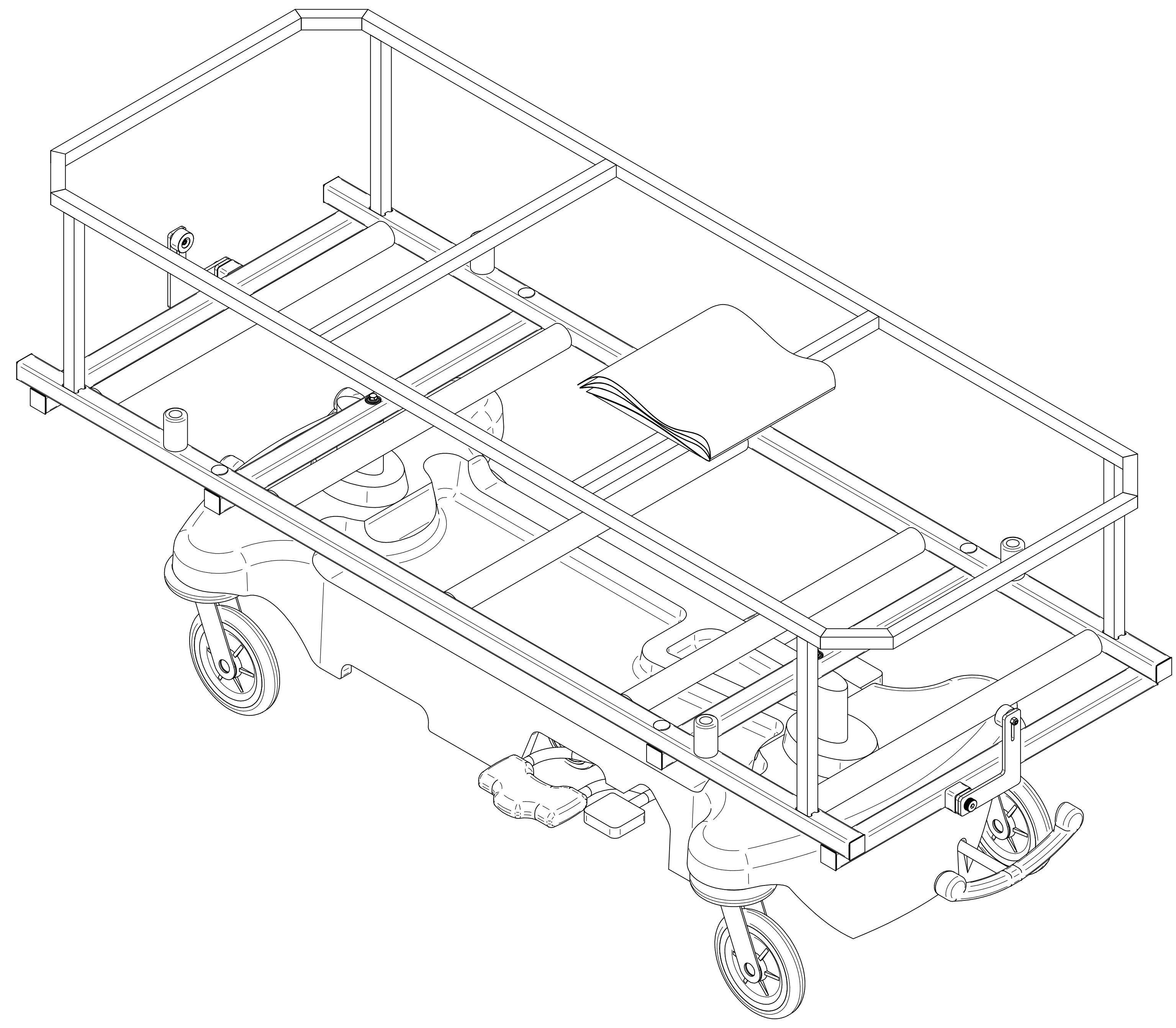


I 2 3 4 5 6 7 8 9 10 11

REV	DESCRIPTION	DATE	ECN #	APPR
A	INITIAL RELEASE	00-XXX-19	XXXXX	MM



A
B
C
D
E
F
G
H

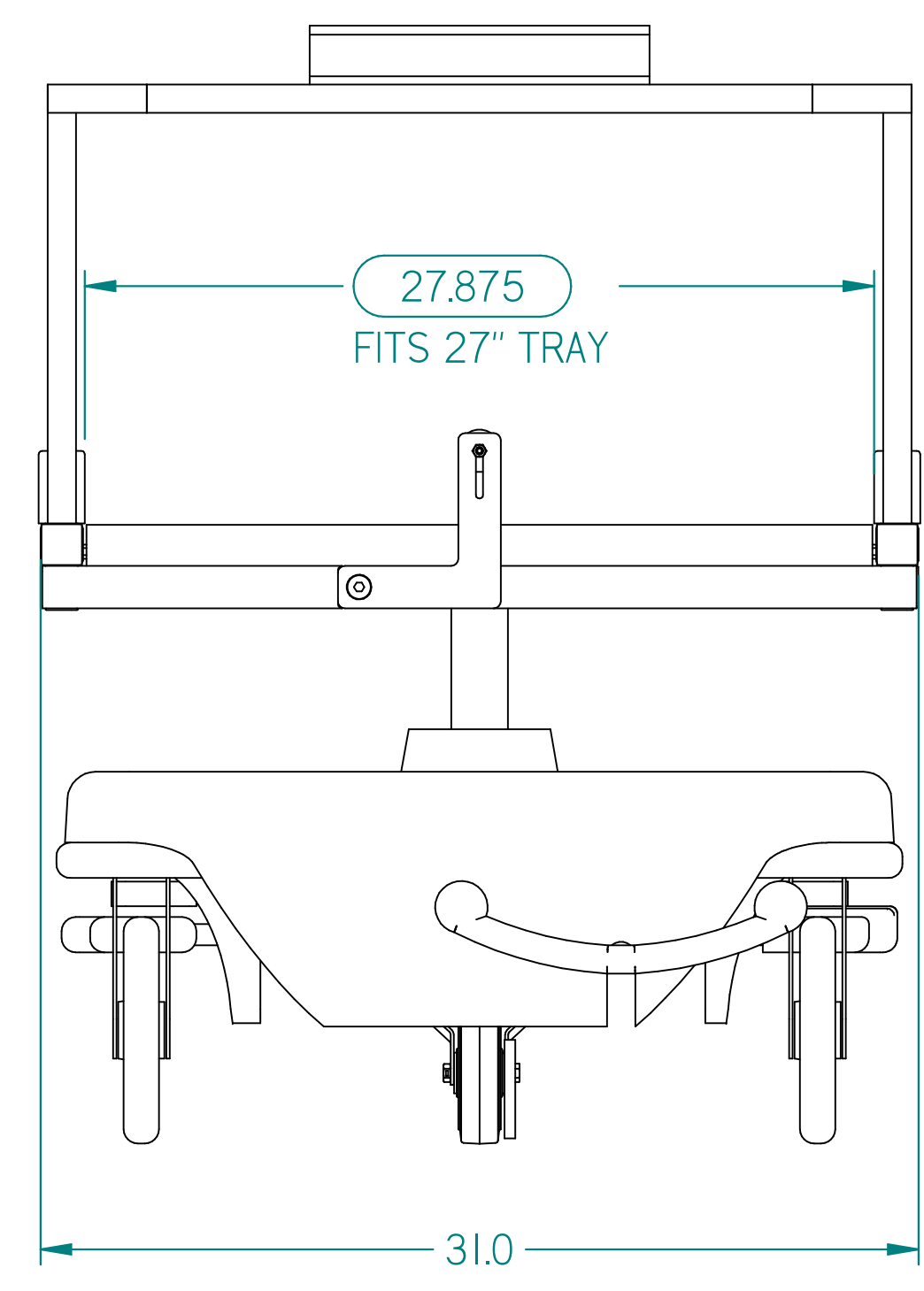
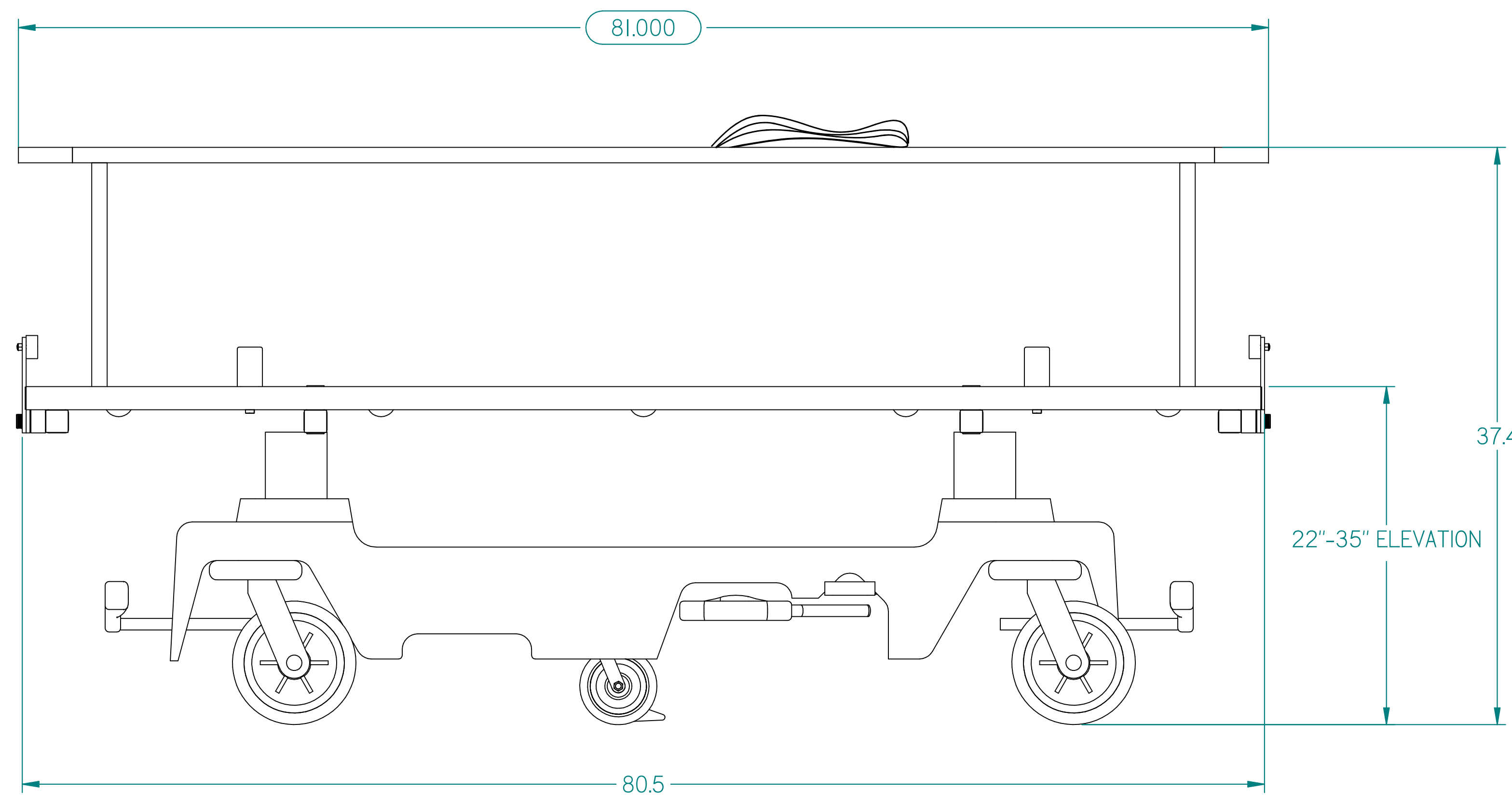
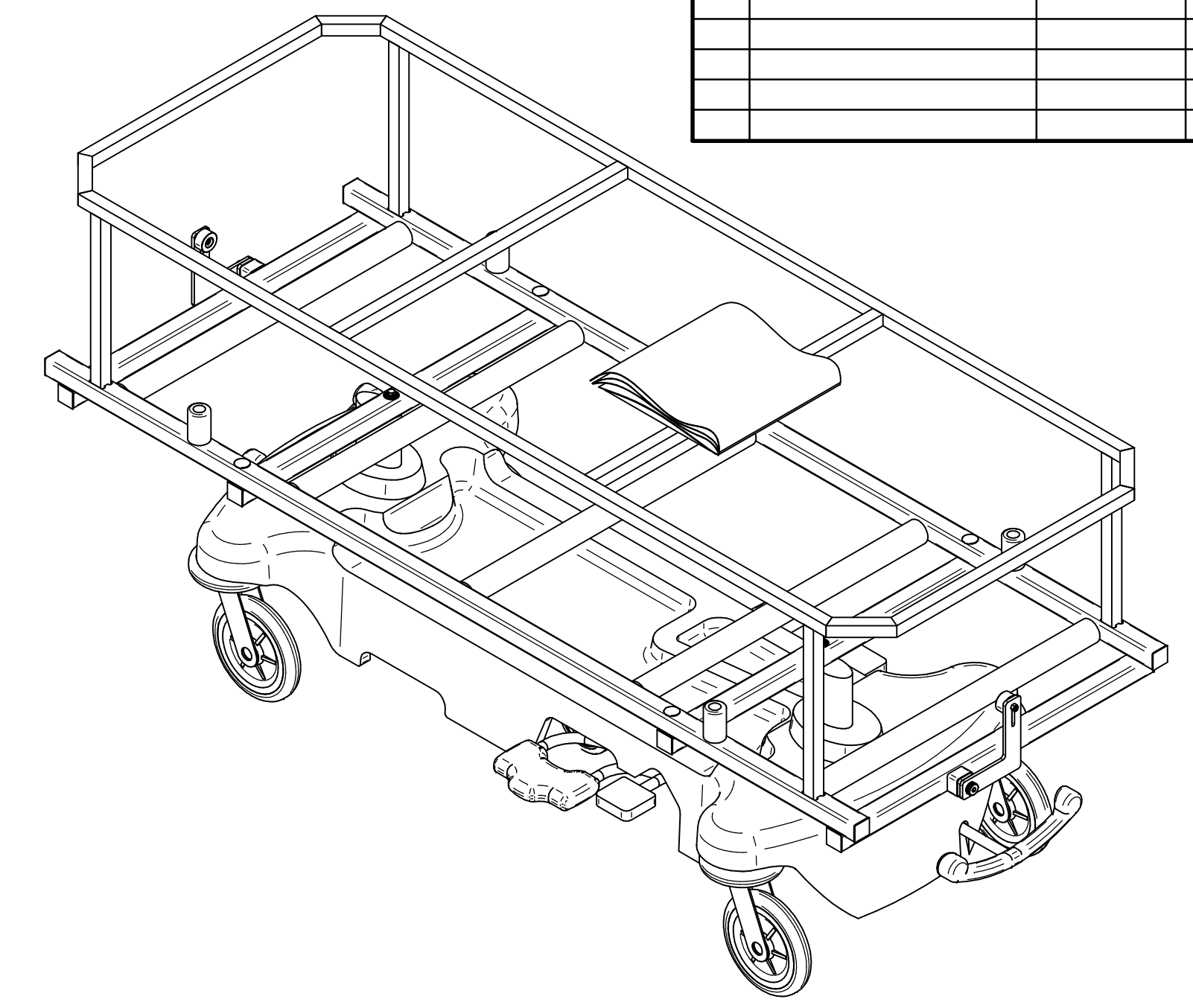
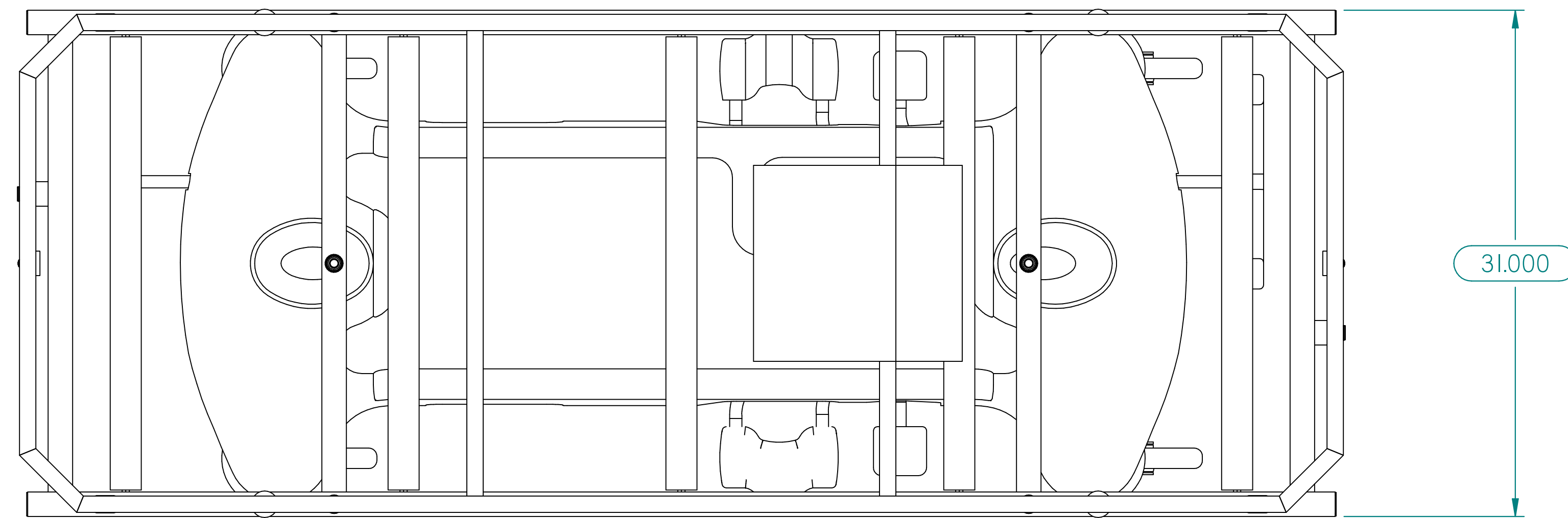
A
B
C
D
E
F
G
H

<p>MOPEC LEGAL NOTE THIS DOCUMENT CONTAINS PROPRIETARY INFORMATION OF MOPEC, AND MAY NOT BE COPIED IN WHOLE OR PART, AND NO USE SHALL BE MADE OF IT OTHER THAN FOR WHICH IT HAS BEEN SUBMITTED WITHOUT THE WRITTEN PERMISSION OF A MOPEC MANAGER MOPEC 2026</p>	<p>UNLESS OTHERWISE SPECIFIED ALL DIMENSIONS IN INCHES TOLERANCES 0.0 ± 0.1 in 0.00 ± 0.05 in 0.000 ± 0.010 in 0.0000 ± 0.0010 in ANGLES ± 0.5° BREAK ALL CORNERS 0.063 X 45° ALL FILLET RADII R0.063 / 0.125 in INSPECT OVAL DIMENSIONS</p>	<p>MATERIAL</p>	<p>MOPEC GROUP MORTECH ADVANCED MEDICAL MANUFACTURING</p>	<p>DRAWN BY: bdevins DATE: 11/19/2025</p>	<p>PART NUMBER: 600040-H-27</p>
				<p>CHECKED BY: --- DATE: 11/19/2025</p>	<p>DESCRIPTION: HYDRAULIC COVERED CADAVER CARRIER</p>
<p>DRAWN TO 3RD ANGLE PROJECTION</p>				<p>APPROVED BY: MMcCLAIN DATE: 11/19/2025</p>	<p>SIZE: A2 SCALE: 1:1</p>
				<p>DO NOT SCALE IF IN DOUBT ASK</p>	<p>SHEET 1 OF 2</p>

I 2 3 4 5 6 7 8 9 10 11

600040-H-27.dft

REV	DESCRIPTION	DATE	ECN #	APPR
A	INITIAL RELEASE	00-XXX-19	XXXXX	MM



MOPEC LEGAL NOTE THIS DOCUMENT CONTAINS PROPRIETARY INFORMATION OF MOPEC, AND MAY NOT BE COPIED IN WHOLE OR PART, AND NO USE SHALL BE MADE OF IT OTHER THAN FOR WHICH IT HAS BEEN SUBMITTED WITHOUT THE WRITTEN PERMISSION OF A MOPEC MANAGER MOPEC 2026	UNLESS OTHERWISE SPECIFIED ALL DIMENSIONS IN INCHES TOLERANCES: 0.0 ± 0.1 in, 0.00 ± 0.05 in, 0.000 ± 0.010 in, 0.0000 ± 0.0010 in, ANGLES ± 0.5° BREAK ALL CORNERS 0.063 X 45°, ALL FILLET RADII R0.063 / 0.125 in, INSPECT OVAL DIMENSIONS	MATERIAL:		DRAWN BY: bdevins DATE: 11/19/2025 CHECKED BY: --- DATE: 11/19/2025 APPROVED BY: M.McCLAIN DATE: 11/19/2025	PART NUMBER: 600040-H-27 DESCRIPTION: HYDRAULIC COVERED CADAVER CARRIER SIZE: A2 FILE NAME: 600040-H-27.dft SCALE: 1:6	DO NOT SCALE IF IN DOUBT ASK SHEET 2 OF 2
	DRAWN TO 3RD ANGLE PROJECTION		REV: A			

600040-H-27.dft