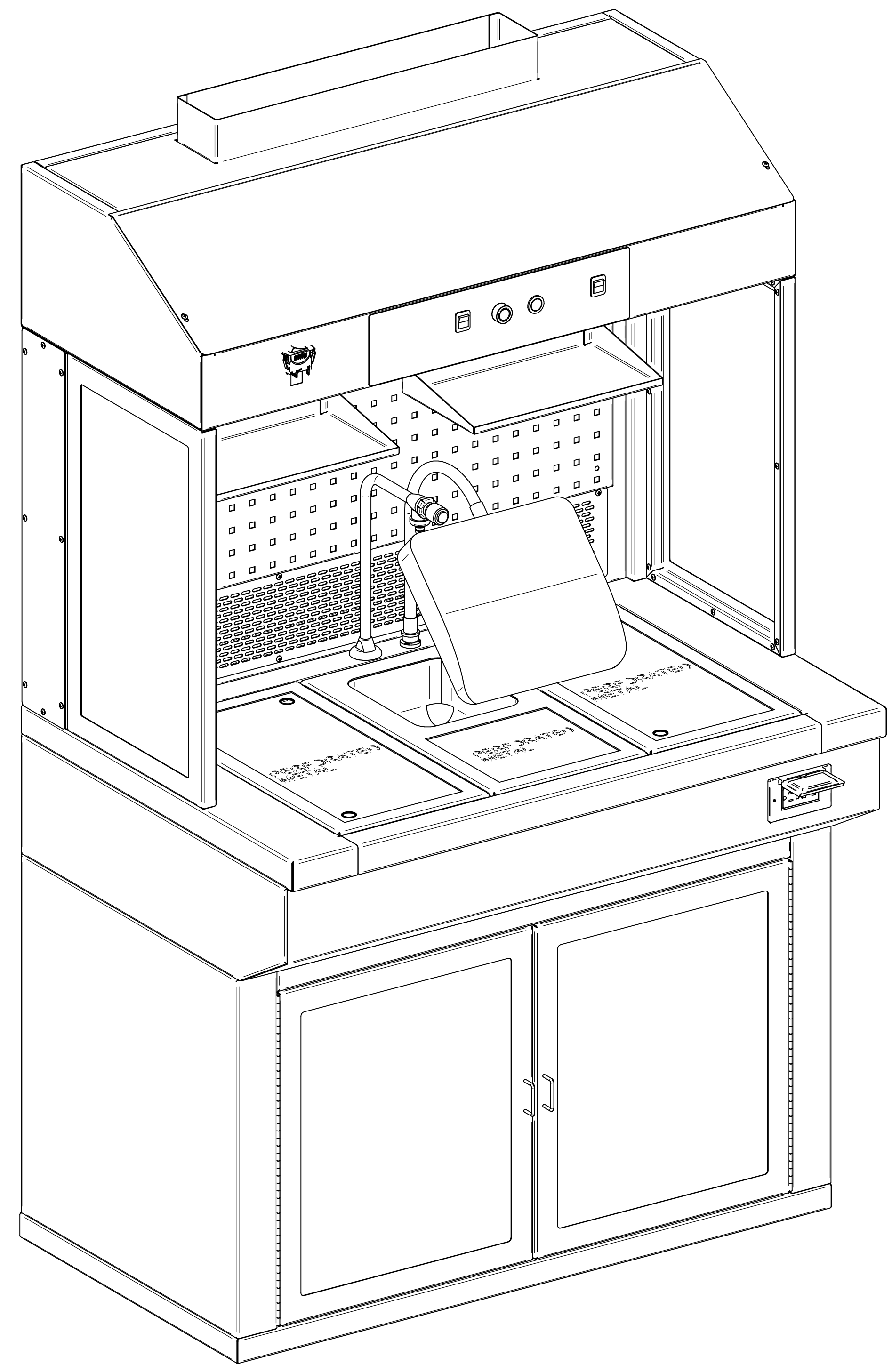


I 2 3 4 5 6 7 8 9 10 11

REV	DESCRIPTION	DATE	ECN #	APPR
A	INITIAL RELEASE	00-XXX-19	XXXXX	MM

A  
B  
C  
D  
E  
F  
G  
H

A  
B  
C  
D  
E  
F  
G  
H

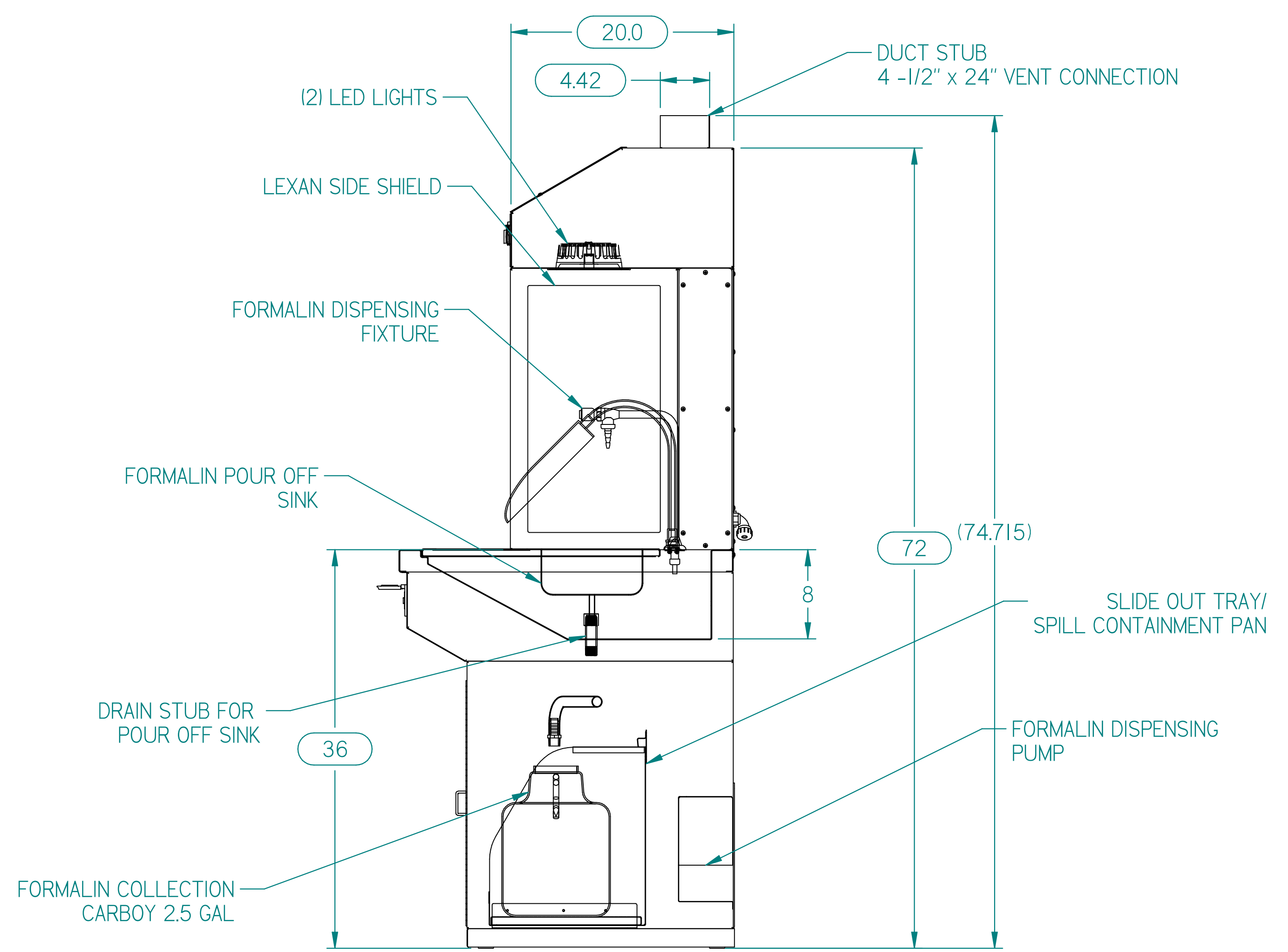
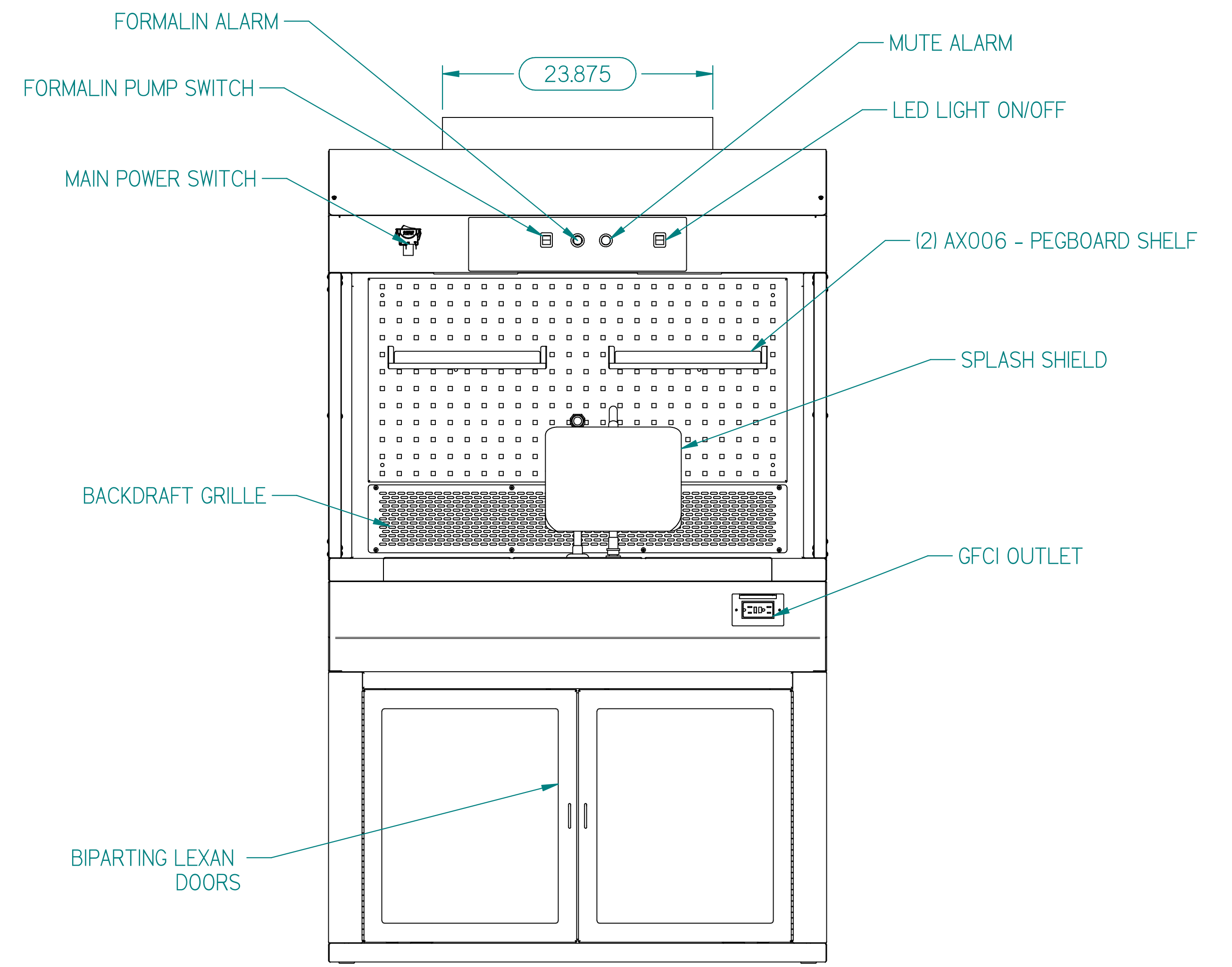
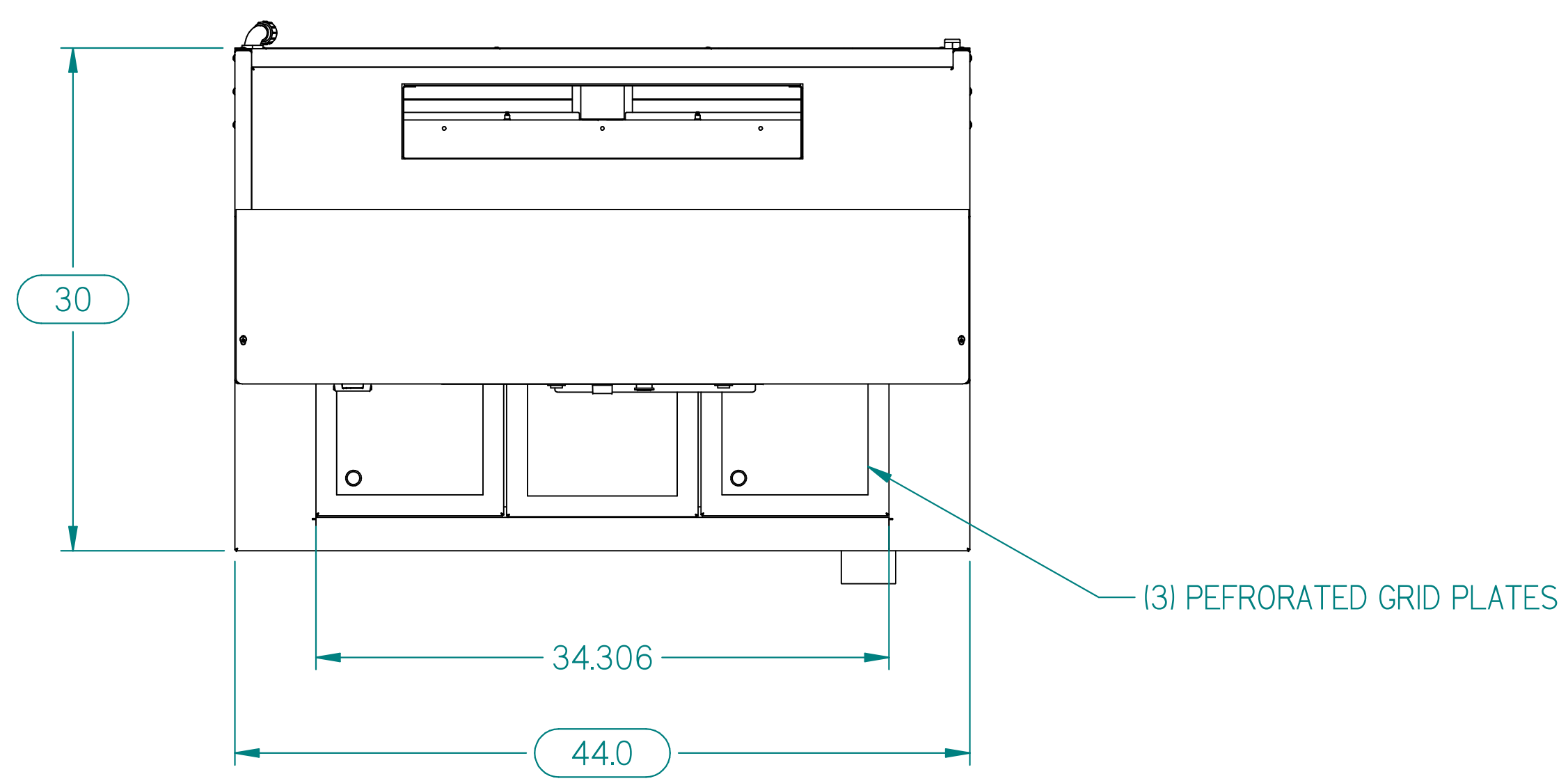


<p><b>MOPEC LEGAL NOTE</b></p> <p>THIS DOCUMENT CONTAINS PROPRIETARY INFORMATION OF MOPEC, AND MAY NOT BE COPIED IN WHOLE OR PART, AND NO USE SHALL BE MADE OF IT OTHER THAN FOR WHICH IT HAS BEEN SUBMITTED WITHOUT THE WRITTEN PERMISSION OF A MOPEC MANAGER</p> <p>MOPEC 2025</p>	<p>UNLESS OTHERWISE SPECIFIED ALL DIMENSIONS IN INCHES</p> <p>TOLERANCES</p> <table> <tr><td>0.0</td><td>± 0.1 in</td></tr> <tr><td>0.00</td><td>± 0.05 in</td></tr> <tr><td>0.000</td><td>± 0.010 in</td></tr> <tr><td>0.0000</td><td>± 0.0010 in</td></tr> <tr><td>ANGLES</td><td>± 0.5°</td></tr> </table> <p>BREAK ALL CORNERS 0.063 X 45° ALL FILLET RADII R0.063 (0.125in) INSPECT OVAL DIMENSIONS</p>	0.0	± 0.1 in	0.00	± 0.05 in	0.000	± 0.010 in	0.0000	± 0.0010 in	ANGLES	± 0.5°	<p>MATERIAL</p>	<p><b>MOPEC GROUP</b></p> <p><b>MORTECH</b> ILLUSTRATED TECHNOLOGY MANUFACTURING</p>	<p>DRAWN BY: dallmayer</p> <p>DATE: 10/16/2023</p>	<p>PART NUMBER: FD500-C</p>
		0.0	± 0.1 in												
0.00	± 0.05 in														
0.000	± 0.010 in														
0.0000	± 0.0010 in														
ANGLES	± 0.5°														
<p>CHECKED BY:</p> <p>DATE: 10/16/2023</p>	<p>DESCRIPTION: FORMALIN DISPENSING STATION</p>														
<p>DRAWN TO 3RD ANGLE PROJECTION</p>	<p>APPROVED BY: MMcCLAIN</p> <p>DATE: 10/16/2023</p>	<p>SIZE: A2</p> <p>SCALE: 1:8</p>	<p>FILE NAME: FD500-C.dft</p>	<p>DO NOT SCALE IF IN DOUBT ASK</p>	<p>REV: C</p> <p>SHEET 1 OF 2</p>										

I 2 3 4 5 6 7 8 9 10 11

\*FD500-C.dft\*

REV	DESCRIPTION	DATE	ECN #	APPR
A	INITIAL RELEASE	00-XXX-19	XXXXX	MM



<b>MOPEC LEGAL NOTE</b> THIS DOCUMENT CONTAINS PROPRIETARY INFORMATION OF MOPEC, AND MAY NOT BE COPIED IN WHOLE OR PART, AND NO USE SHALL BE MADE OF IT OTHER THAN FOR WHICH IT HAS BEEN SUBMITTED WITHOUT THE WRITTEN PERMISSION OF A MOPEC MANAGER. MOPEC 2025	UNLESS OTHERWISE SPECIFIED ALL DIMENSIONS IN INCHES TOLERANCES 0.0 ± 0.1 in 0.00 ± 0.05 in 0.000 ± 0.010 in 0.0000 ± 0.0010 in ANGLES ± 0.5° BREAK ALL CORNERS 0.063 X 45° ALL FILLET RADII R0.063 (0.125 in) INSPECT OVAL DIMENSIONS	MATERIAL   	  MOPEC MORTECH ADVANCED TECHNOLOGY MANUFACTURING	DRAWN BY: dallmayer DATE: 10/16/2023 CHECKED BY: DATE: 10/16/2023 APPROVED BY: MMcCLAIN DATE: 10/16/2023	PART NUMBER: FD500-C DESCRIPTION: FORMALIN DISPENSING STATION SIZE: A2 FILE NAME: FD500-C.dft SCALE: 1:1 DO NOT SCALE IF IN DOUBT ASK	REV: C SHEET 2 OF 2
	DRAWN TO 3RD ANGLE PROJECTION				SHEET 2 OF 2	

\*FD500-C.dft\*