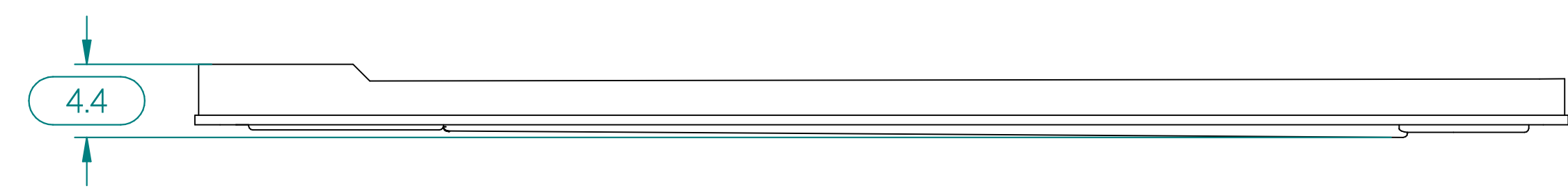
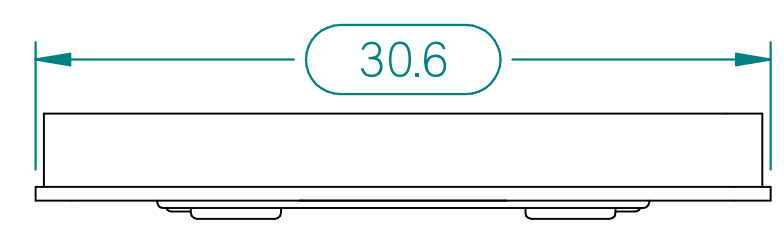
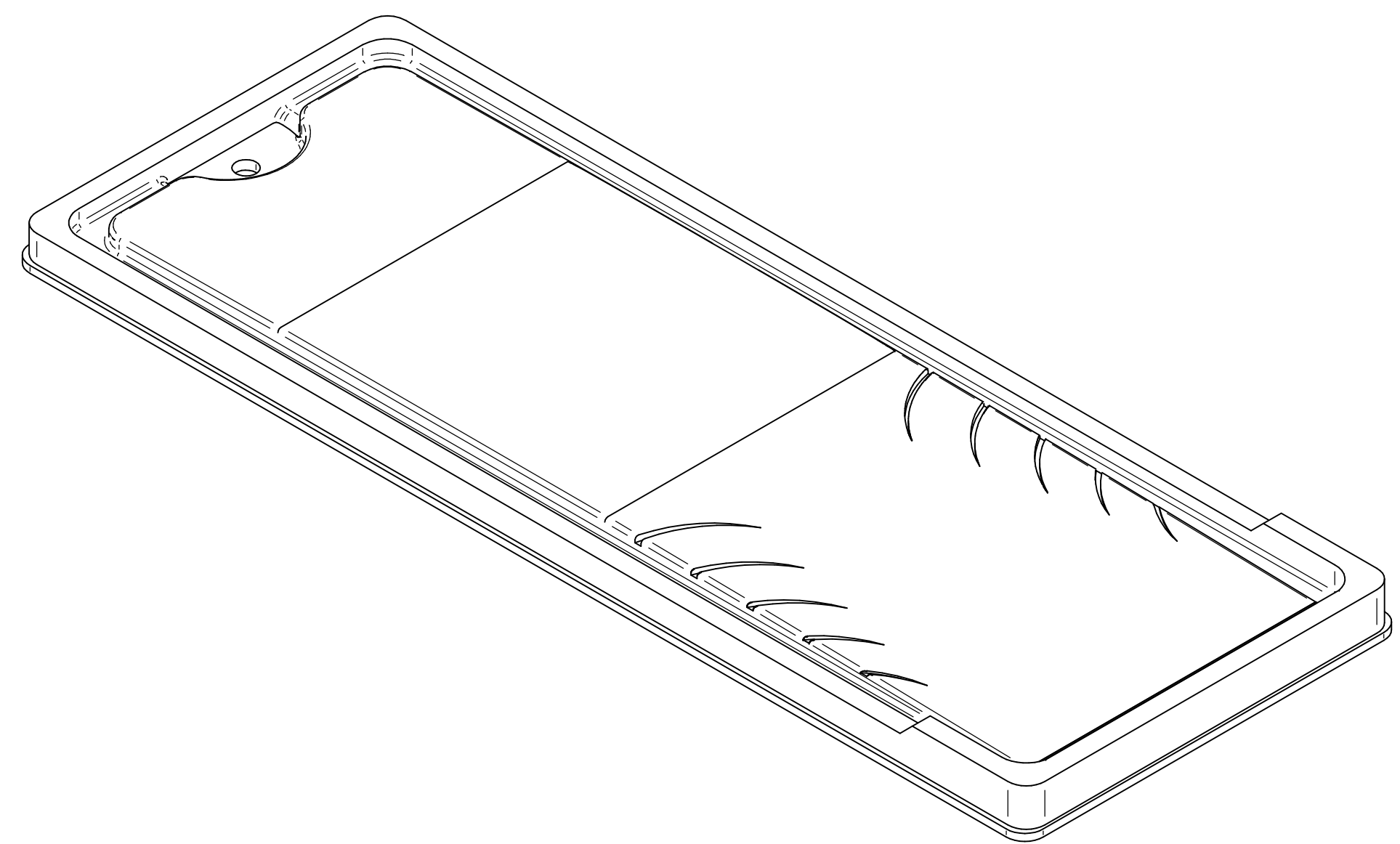
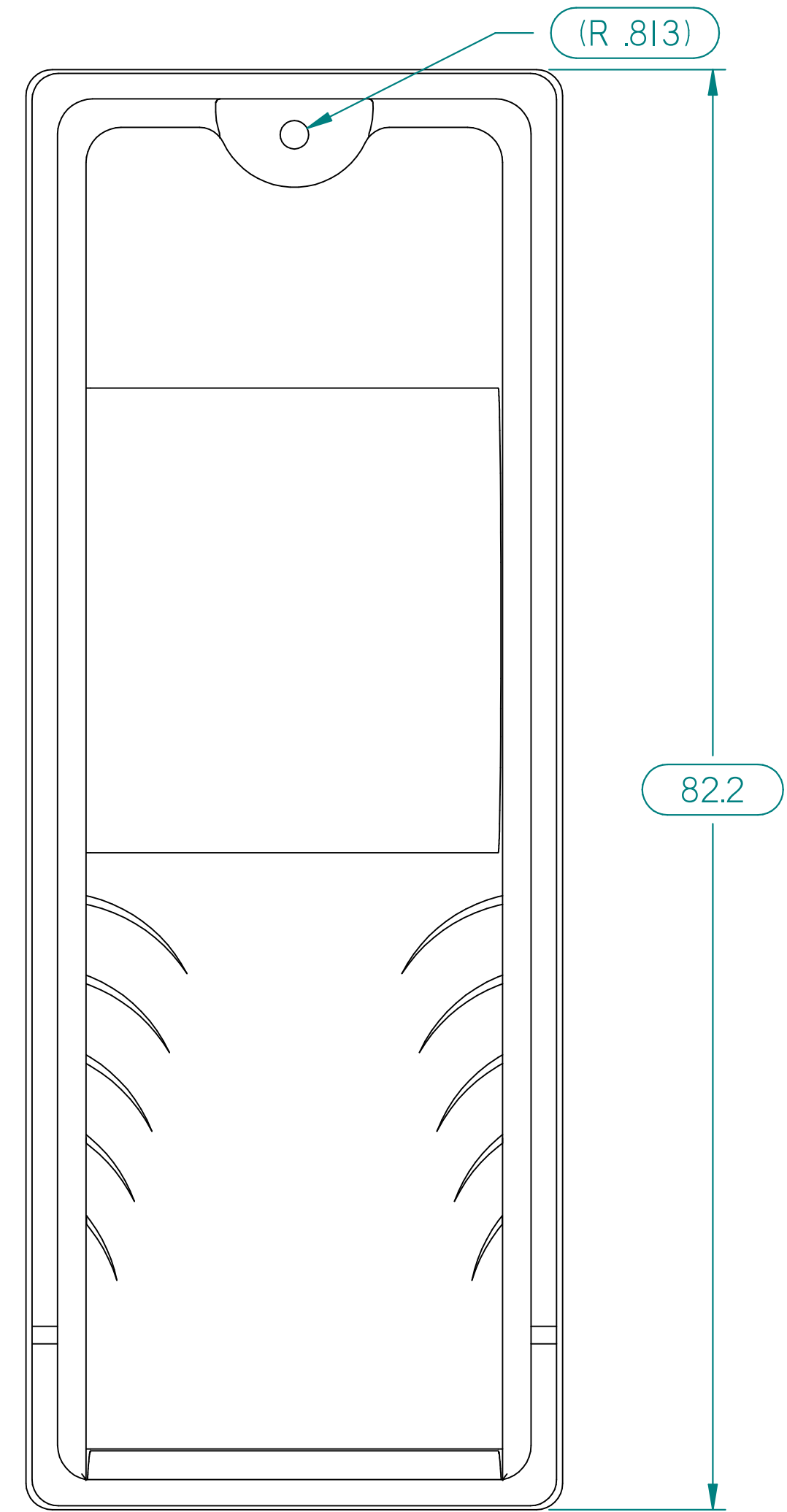
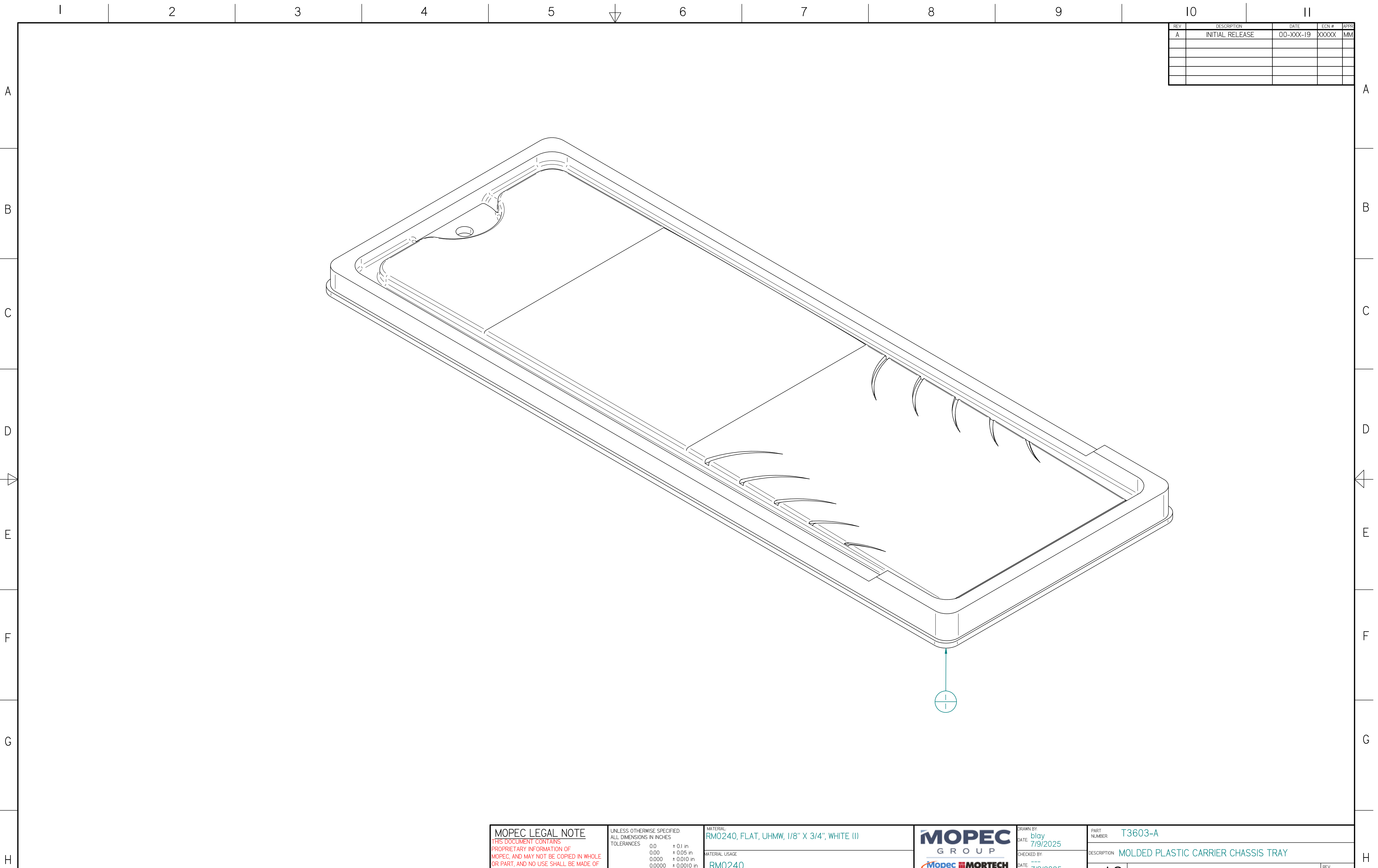


REV	DESCRIPTION	DATE	ECN #	APPR
A	INITIAL RELEASE	00-XXX-19	XXXXX	MM



MOPEC LEGAL NOTE THIS DOCUMENT CONTAINS PROPRIETARY INFORMATION OF MOPEC, AND MAY NOT BE COPIED IN WHOLE OR PART, AND NO USE SHALL BE MADE OF IT OTHER THAN FOR WHICH IT HAS BEEN SUBMITTED WITHOUT THE WRITTEN PERMISSION OF A MOPEC MANAGER MOPEC 2025	UNLESS OTHERWISE SPECIFIED, ALL DIMENSIONS IN INCHES TOLERANCES: 0.0 ± 0.1 in, 0.00 ± 0.05 in, 0.000 ± 0.010 in, 0.0000 ± 0.0010 in, ANGLES ±0.5° BREAK ALL CORNERS 0.063 X 45°, ALL FILLET RADII R0.063 /0.125in, INSPECT OVAL DIMENSIONS	MATERIAL: RM0240, FLAT, UHMW, 1/8" X 3/4", WHITE (1) MATERIAL USAGE: RM0240 FINISH: Error: No reference	 	DRAWN BY: blay DATE: 7/9/2025 CHECKED BY: --- DATE: 7/9/2025 APPROVED BY: MMcCLAIN DATE: 7/9/2025	PART NUMBER: T3603-A DESCRIPTION: MOLDED PLASTIC CARRIER CHASSIS TRAY SIZE: A2 FILE NAME: T3603-A.dft SCALE: 1:8 DO NOT SCALE IF IN DOUBT ASK	REV: --- SHEET 1 OF 2
	DRAWN TO 3RD ANGLE PROJECTION				SHEET 1 OF 2	

T3603-A.dft



REV	DESCRIPTION	DATE	ECN #	APPR
A	INITIAL RELEASE	00-XXX-19	XXXXX	MM

MOPEC LEGAL NOTE THIS DOCUMENT CONTAINS PROPRIETARY INFORMATION OF MOPEC, AND MAY NOT BE COPIED IN WHOLE OR PART, AND NO USE SHALL BE MADE OF IT OTHER THAN FOR WHICH IT HAS BEEN SUBMITTED WITHOUT THE WRITTEN PERMISSION OF A MOPEC MANAGER		UNLESS OTHERWISE SPECIFIED ALL DIMENSIONS IN INCHES TOLERANCES 0.0 ± 0.1 in 0.00 ± 0.05 in 0.000 ± 0.010 in 0.0000 ± 0.0010 in ANGLES ± 0.5° BREAK ALL CORNERS 0.063 X 45° ALL FILLET RADII R0.063 / 0.125 in INSPECT OVAL DIMENSIONS	MATERIAL RM0240, FLAT, UHMW, 1/8" X 3/4", WHITE (I) MATERIAL USAGE RM0240 FINISH Error: No reference	 MOPEC GROUP MORTECH MANUFACTURING	DRAWN BY blay DATE 7/9/2025 CHECKED BY --- DATE 7/9/2025 APPROVED BY MMcCLAIN DATE 7/9/2025	PART NUMBER T3603-A DESCRIPTION MOLDED PLASTIC CARRIER CHASSIS TRAY SIZE A2 FILE NAME T3603-A.dft	REV ---	
Item # I	Qty. I	File Name T3603-A.par	Title MOLDED PLASTIC CARRIER CHASSIS TRAY	Material RM0240, FLAT, UHMW, 1/8" X 3/4", WHITE (I)	Rev. MOPEC 2025	SCALE 1:1	DO NOT SCALE IF IN DOUBT ASK	SHEET 2 OF 2

T3603-A.dft