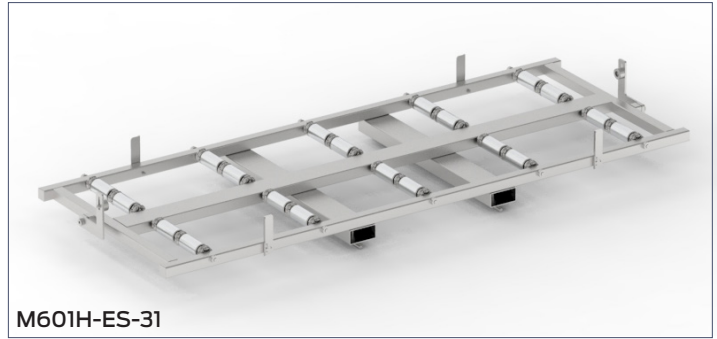


Roller Pallet Assembly, End/Side Loading

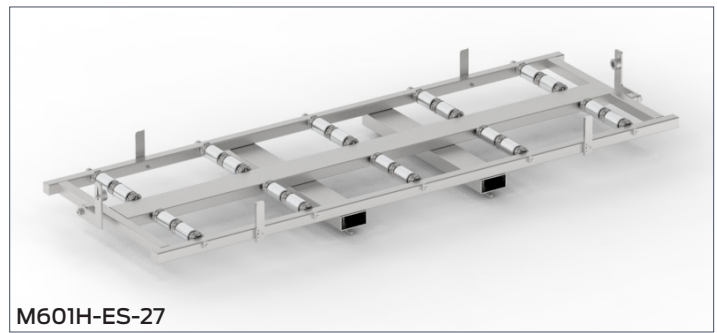
The Mopec Roller Pallet Assembly is a sturdy platform designed for efficient end or side loading of cadaver trays. Its heavy-duty roller system ensures smooth movement. Built with a durable steel frame, it offers reliable, long-lasting performance for mortuary, pathology, and laboratory environments.



M601H-ES-23



M601H-ES-31



M601H-ES-27

SPECIFICATIONS

Construction

- M601H-ES-23 and M601H-ES-27: For use with corresponding JC Series trays (sold separately)
- M601H-ES-31: For use with GA031 trays (sold separately)
- (10) multi-directional rollers
- Safety latches with bumpers on the ends of the assembly and safety side flip latches to secure the tray in place during moving.

Capacity

- 500 lbs

Note:

- Trays sold separately.

Variations

Model No.	Description	Dimensions
M601H-ES-23	Roller Pallet Assembly for 23" Trays	80.5" L X 23.5" W X 6" H
M601H-ES-27	Roller Pallet Assembly for 27" Trays	80.5" L X 27.5" W X 6" H
M601H-ES-31	Roller Pallet Assembly for 31" Trays	80.5" L X 30.5" W X 6" H

Materials

- 11ga 1.5" SQ 304 stainless tubing construction with a 180-grit finish

Dimensions

- M601H-ES-23: Assembly: 80.5" L X 23.5" W X 6.0" H
- M601H-ES-27: Assembly: 80.5" L X 27.5" W X 6.0" H
- M601H-ES-31: Assembly: 80.5" L X 30.5" W X 6.0" H
- Fork Pockets: 2.0" T X 4.0" W X 0.125" thick

Compatibility

- M601H-ES-23: JC023 and JC023D trays
- M601H-ES-27: JC027 and JC027D trays
- M601H-ES-31: GA031 trays
- All compatible with M678 Hydraulic Lift JD405, JD450, and JD451 Forklifts with JD460 Forks
- Note: Not for use with hand crank lifts, use M600C Series instead.

MOPEC
GROUP

mopec
ELEVATING PATHOLOGY

MORTECH
MANUFACTURING

www.mopecgroup.com

800.362.8491

800 Tech Row, Madison Heights, MI