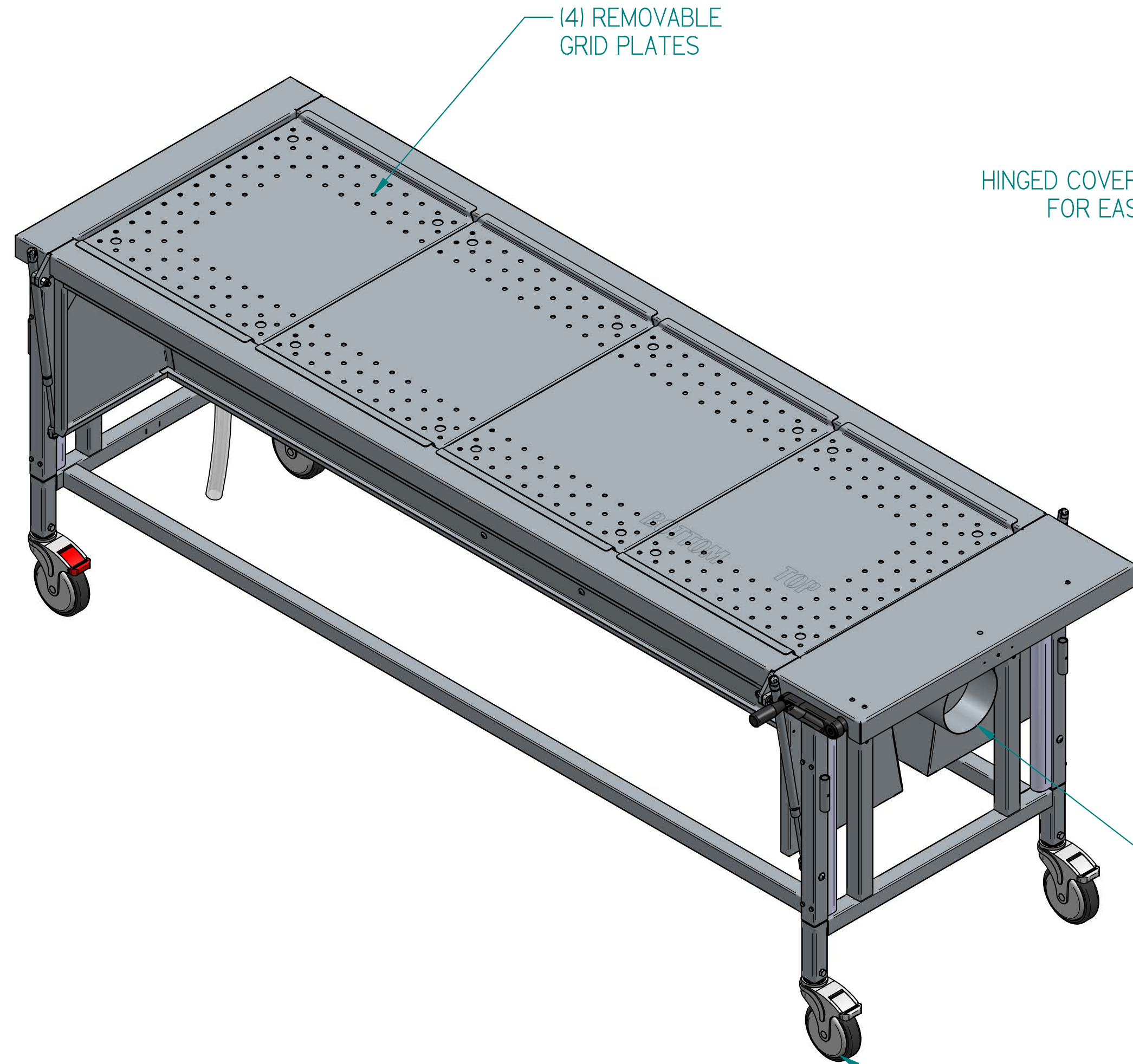


| REV | DESCRIPTION     | DATE      | ECN # | APPR |
|-----|-----------------|-----------|-------|------|
| A   | INITIAL RELEASE | 00-XXX-19 | XXXXX | MM   |
| B   | SEE ECN         | 1-7-26    |       | DA   |
| C   | SEE ECN         | N/A       | N/A   | N/A  |
|     |                 |           |       |      |
|     |                 |           |       |      |



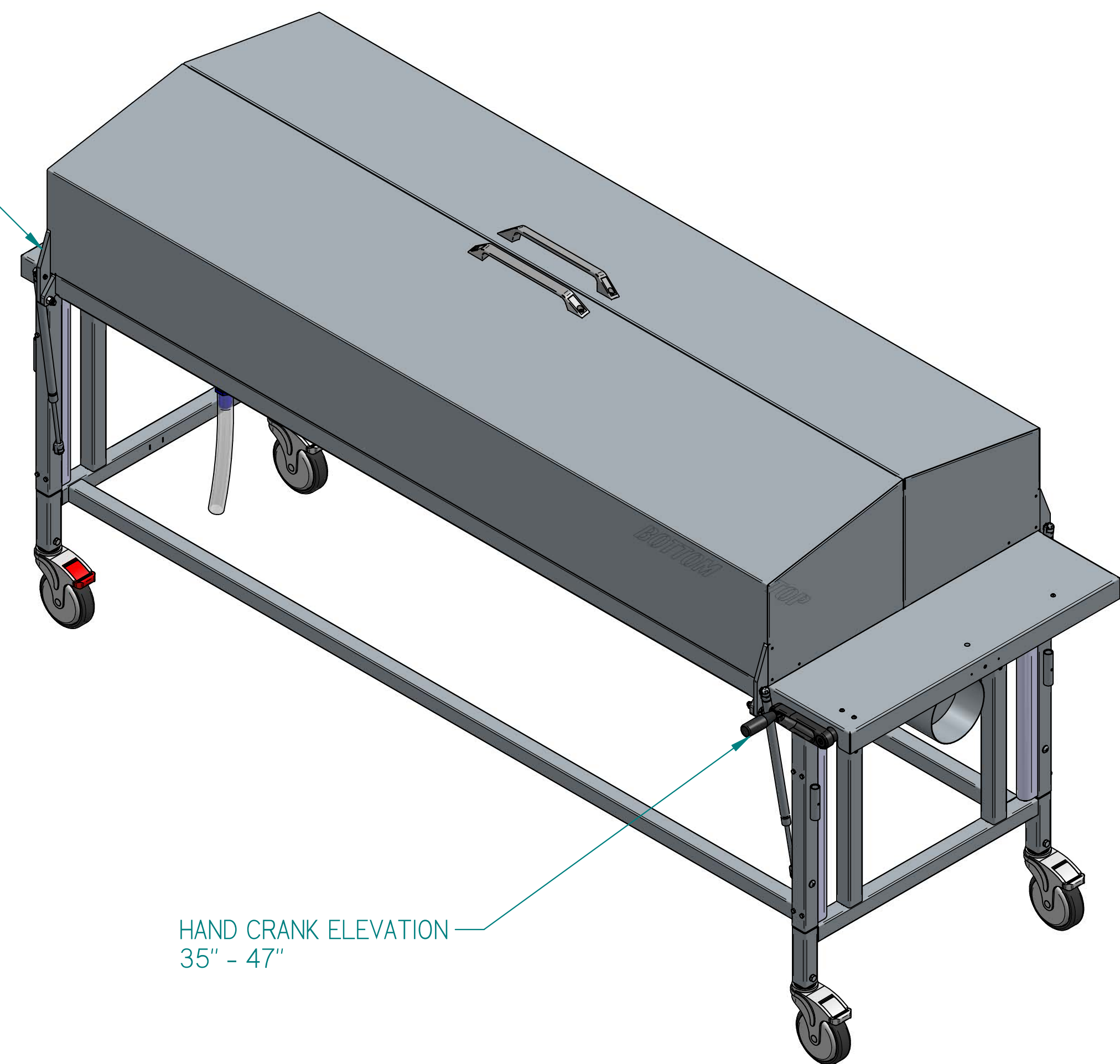
(4) REMOVABLE  
GRID PLATES

MOPEC LID ASSIST  
HINGED COVER W/ SWING LATCHES  
FOR EASY OPEN AND CLOSE

EXHAUST REQUIREMENTS:  
220-340 CFM  
STATIC PRESSURE:  
.34-.67"

(4) HEAVY DUTY 5" CASTERS  
(3) TOTAL LOCK  
(1) DIRECTIONAL LOCK

HOODS SHOWN IN OPEN POSITION



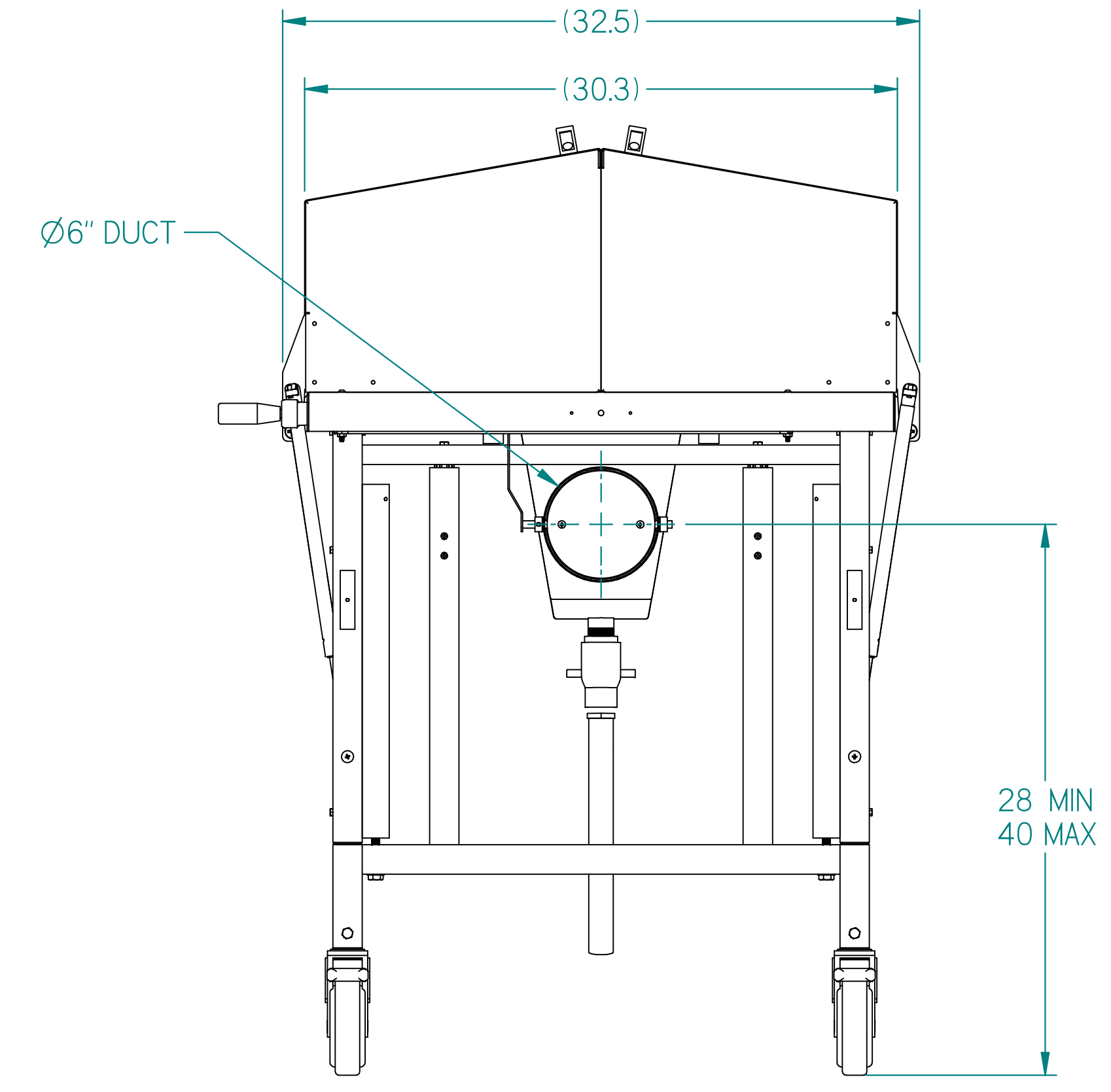
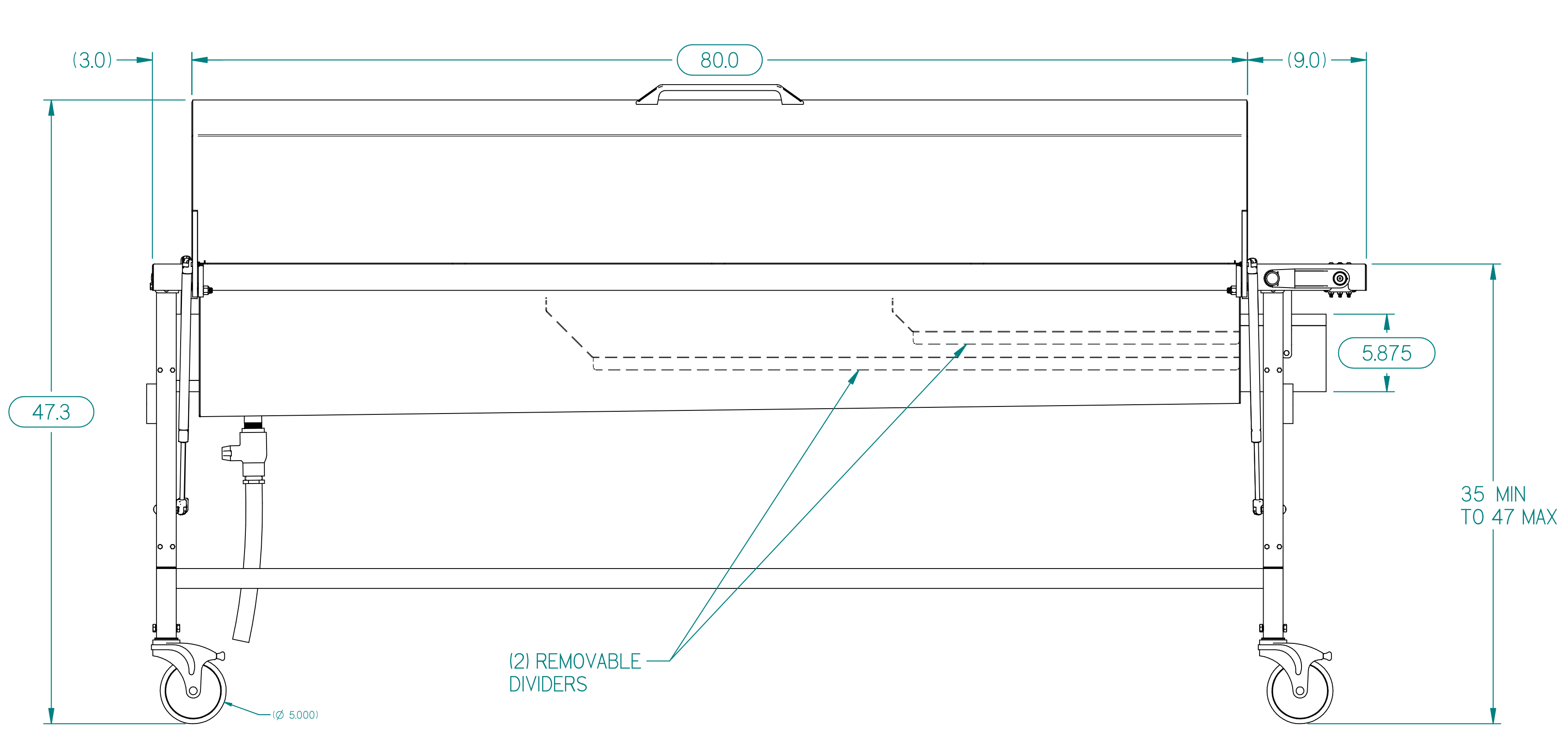
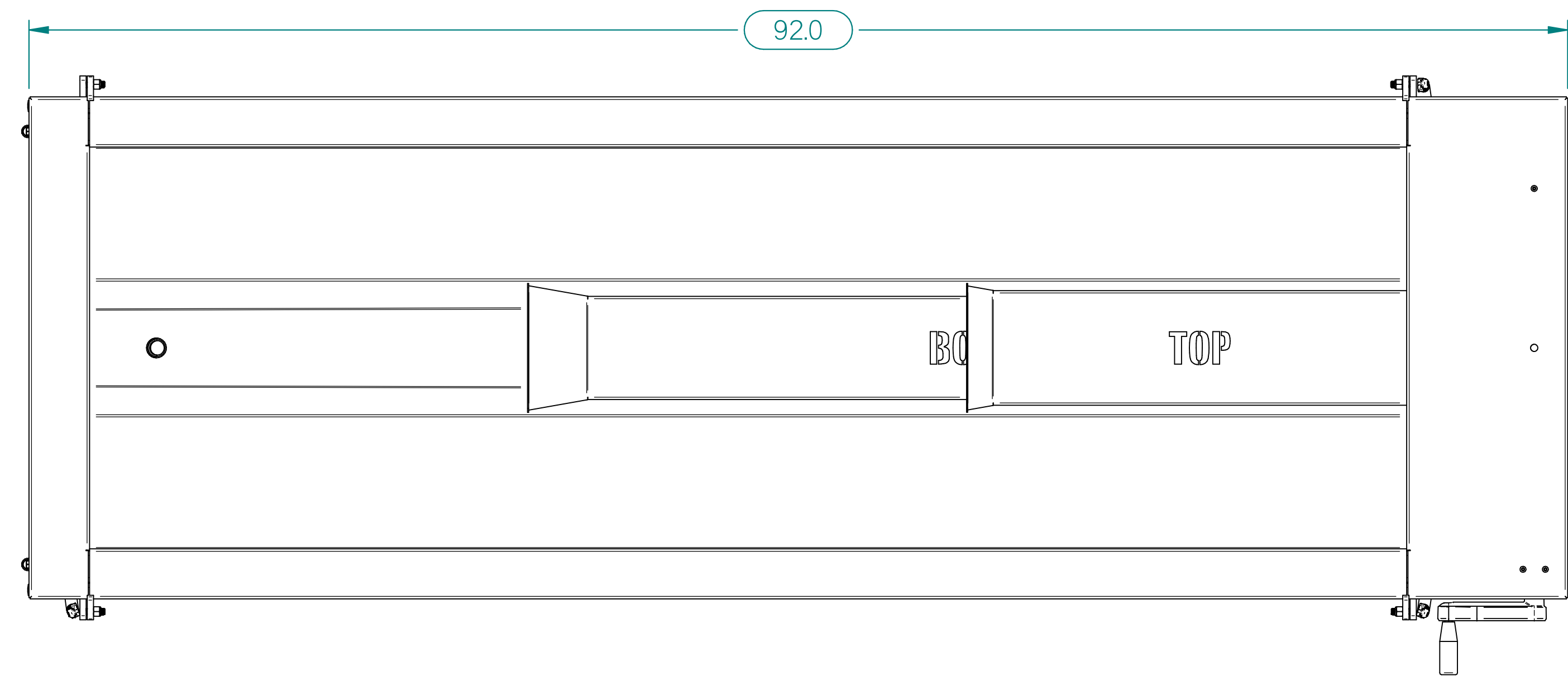
HAND CRANK ELEVATION  
35" - 47"

HOODS SHOWN IN CLOSED POSITION

|   |   |                      |   |   |  |                        |
|---|---|----------------------|---|---|--|------------------------|
| <b>MOPEC LEGAL NOTE</b><br>THIS DOCUMENT CONTAINS<br>PROPRIETARY INFORMATION OF<br>MOPEC, AND MAY NOT BE COPIED IN WHOLE<br>OR PART, AND NO USE SHALL BE MADE OF<br>IT OTHER THAN FOR WHICH IT HAS BEEN<br>SUBMITTED WITHOUT THE WRITTEN<br>PERMISSION OF A MOPEC MANAGER<br>MOPEC 2026 | UNLESS OTHERWISE SPECIFIED<br>ALL DIMENSIONS IN INCHES<br>TOLERANCES<br>0.00 ± 0.01 in<br>0.000 ± 0.005 in<br>0.0000 ± 0.0010 in<br>ANGLES ± 0.5°<br>BREAK ALL CORNERS 0.063 X 45°<br>ALL FILLET RADII R0.063 / 0.125 in<br>INSPECT OVAL DIMENSIONS | MATERIAL<br><br><br> | <br><br>MOPEC GROUP<br>MORTECH<br>MANUFACTURING | DRAWN BY: dallmayer<br>DATE: 1/13/2026<br>CHECKED BY:<br>DATE: 1/13/2026<br>APPROVED BY: M.McCLAIN<br>DATE: 1/13/2026 | PART NUMBER: HBI510-C<br>DESCRIPTION: ELEVATING VENTED DISSECTION CART W/ LID ASSIST<br>SIZE: A2<br>FILE NAME: HBI510-C APPROVAL.dft<br>SCALE: 1:8<br>DO NOT SCALE IF IN DOUBT ASK | REV: C<br>SHEET 1 OF 2 |
|   | DRAWN TO 3RD ANGLE PROJECTION   |                      |   | SHEET 1 OF 2  |  |                        |

\*HB1510-C APPROVAL.dft\*

| REV | DESCRIPTION     | DATE      | ECN # | APPR |
|-----|-----------------|-----------|-------|------|
| A   | INITIAL RELEASE | 00-XXX-19 | XXXXX | MM   |
| B   | SEE ECN         | 1-7-26    |       | DA   |
| C   | SEE ECN         | N/A       | N/A   | N/A  |
|     |                 |           |       |      |
|     |                 |           |       |      |



**NOTE:**  
UNIT SHOWN IN  
LOWERED POSITION

**MOPEC LEGAL NOTE**  
THIS DOCUMENT CONTAINS  
PROPRIETARY INFORMATION OF  
MOPEC, AND MAY NOT BE COPIED IN WHOLE  
OR PART, AND NO USE SHALL BE MADE OF  
IT OTHER THAN FOR WHICH IT HAS BEEN  
SUBMITTED WITHOUT THE WRITTEN  
PERMISSION OF A MOPEC MANAGER  
MOPEC 2026

UNLESS OTHERWISE SPECIFIED  
ALL DIMENSIONS IN INCHES  
TOLERANCES  
0.00 ± 0.1 in  
0.000 ± 0.05 in  
0.0000 ± 0.010 in  
0.00000 ± 0.0010 in  
ANGLES ± 0.5°  
BREAK ALL CORNERS 0.063 X 45°  
ALL FILLET RADII R0.063 / 0.125 in  
INSPECT OVAL DIMENSIONS

MATERIAL

**MOPEC GROUP**  
**MORTECH**  
DRAWN TO 3RD ANGLE PROJECTION

DRAWN BY: dallmayer  
DATE: 1/13/2026  
CHECKED BY:  
DATE: 1/13/2026  
APPROVED BY: M.McCLAIN  
DATE: 1/13/2026

PART NUMBER: HBI510-C  
DESCRIPTION: ELEVATING VENTED DISSECTION CART W/ LID ASSIST  
SIZE: A2  
SCALE: 1:8  
DO NOT SCALE IF IN DOUBT ASK  
SHEET 2 OF 2

\*HB1510-C APPROVAL.dft\*