

NOTE: TRAY SOLD SEPARATELY

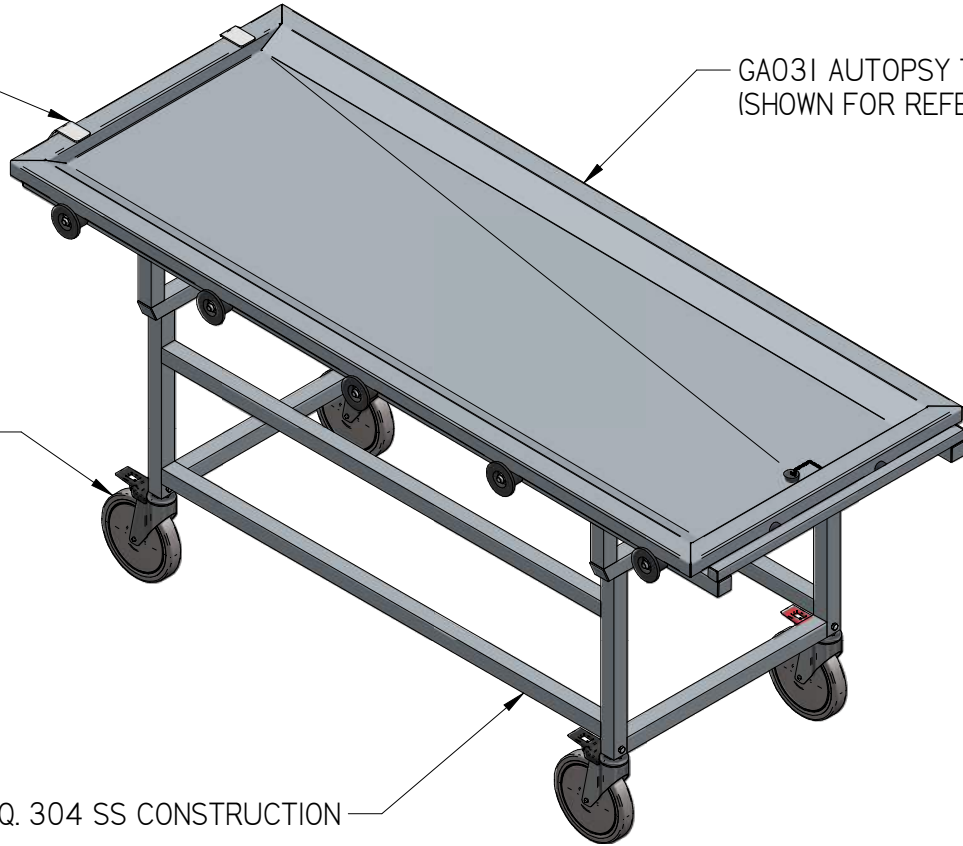
REV	DESCRIPTION	DATE	BY	APP
A	INITIAL RELEASE	00-XXXX-19	XXXXX	MM

(2) FLIP DOWN TRAY LATCH

GA031 AUTOPSY TRAY
(SHOWN FOR REFERENCE ONLY)

(4) HEAVY DUTY 8" CASTERS
- 3 TOTAL LOCK
- 1 DIRECTIONAL LOCK

1.5" SQ. 304 SS CONSTRUCTION



APPROVED BY: _____ DATE: _____

AS SHOWN (PROCEED WITH FABRICATION)

AS NOTED (TO BE RESUBMITTED FOR FINAL APPROVAL)

MOPEC LEGAL NOTE
THIS DOCUMENT CONTAINS PROPRIETARY INFORMATION OF MOPEC, AND MAY NOT BE COPIED IN WHOLE OR PART, AND NO USE SHALL BE MADE OF IT OTHER THAN FOR WHICH IT HAS BEEN SUBMITTED WITHOUT THE WRITTEN PERMISSION OF A MOPEC MANAGER
MOPEC 2025

UNLESS OTHERWISE SPECIFIED
ALL DIMENSIONS IN INCHES:
TOLERANCES: 00 ± 0.1 in
000 ± 0.05 in
0.000 ± 0.0010 in
ANGLES: ±0.5°
BREAK ALL CORNERS: 0.063 X 45°
ALL FILLET RNDI: R0.063 / 0.125 in
INSPECT OVAL DIMENSIONS

CUSTOMER NAME: _____
CITY/STATE: _____
PROJECT # Error: No reference

MOPEC GROUP
MORTECH
PH: 1-248-291-2040 FAX: 1-248-291-2050
DRAWN TO 3RD ANGLE PROJECTION

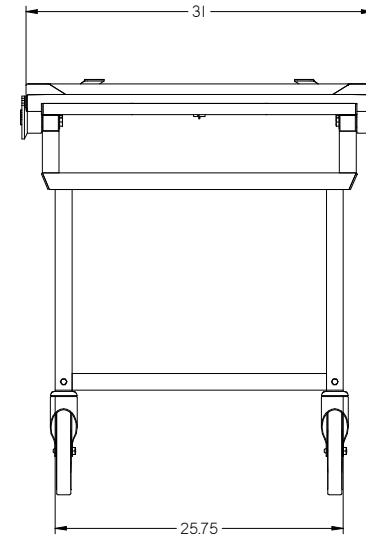
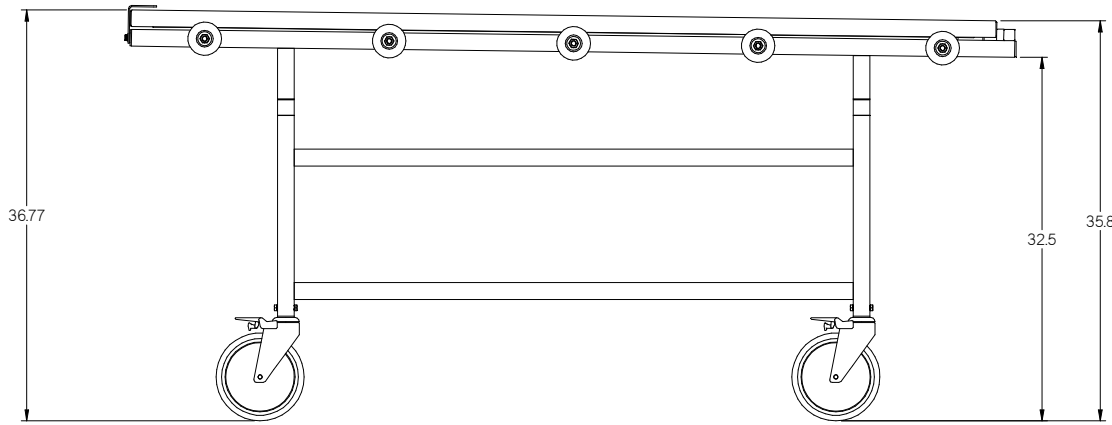
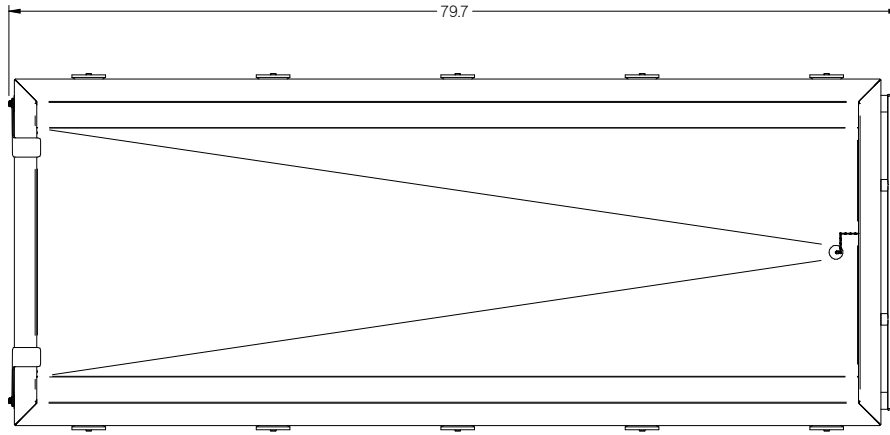
DRAWN BY: dallmayer
DATE: 12/17/2025
CHECKED BY: _____
DATE: 12/17/2025
APPROVED BY: _____
DATE: MMCCCLAIN
12/17/2025

PRODUCT NAME: DE031-A
DESCRIPTION: DE031 AUTOPSY CART ASSEMBLY
SCALE: A2
DRAWING NUMBER: DE031-A APPROVAL.dft
REV: A
SCALE: 1:5
DO NOT SCALE IF IN DOUBT ASK
SHEET 1 OF 2



NOTE: TRAY SOLD SEPARATELY

REV	DESCRIPTION	DATE	BY	APP
A	INITIAL RELEASE	00-XXXX-19	XXXXX	MM



APPROVED BY: _____ DATE: _____

AS SHOWN
(PROCEED WITH FABRICATION)

AS NOTED
(TO BE RESUBMITTED FOR FINAL APPROVAL)

MOPEC LEGAL NOTE
 THIS DOCUMENT CONTAINS
 PROPRIETARY INFORMATION OF
 MOPEC, AND MAY NOT BE COPIED IN WHOLE OR
 PART, AND NO USE SHALL BE MADE OF IT
 OTHER THAN FOR WHICH IT HAS BEEN
 SUBMITTED WITHOUT THE WRITTEN
 PERMISSION OF A MOPEC MANAGER
 MOPEC 2025

UNLESS OTHERWISE SPECIFIED
 ALL DIMENSIONS IN INCHES:
 TOLERANCES: 00 ± 0.1 in
 000 ± 0.05 in
 0.000 ± 0.010 in
 0.0000 ± 0.0010 in
 ANGLES: 45°
 BREAK: ALL CORNERS: 0.063 X 45°
 ALL FILLET RND: R0.063 / 0.125 in
 INSPECT OVAL DIMENSIONS

CUSTOMER NAME: _____
 CITY STATE: _____
 Error: No reference
 PROJECT #: _____
 Error: No reference

MOPEC GROUP
 Mopec MORTTECH
 PH: 1-248-291-2040 FAX: 1-248-291-2050
 DRAWN TO
 3RD ANGLE
 PROJECTION

DRAWN BY: dallmayer
 DATE: 12/17/2025
 CHECKED BY: _____
 DATE: 12/17/2025
 APPROVED BY: _____
 DATE: MMCCCLAIN
 12/17/2025

PRODUCT NAME: DE031-A	DESCRIPTION: DE031 AUTOPSY CART ASSEMBLY	REV: A
SHEET NUMBER: A2	DRAWING NUMBER: DE031-A APPROVAL.dft	SCALE: 1:5.56
DO NOT SCALE IF IN DOUBT ASK		SHEET 2 OF 2

