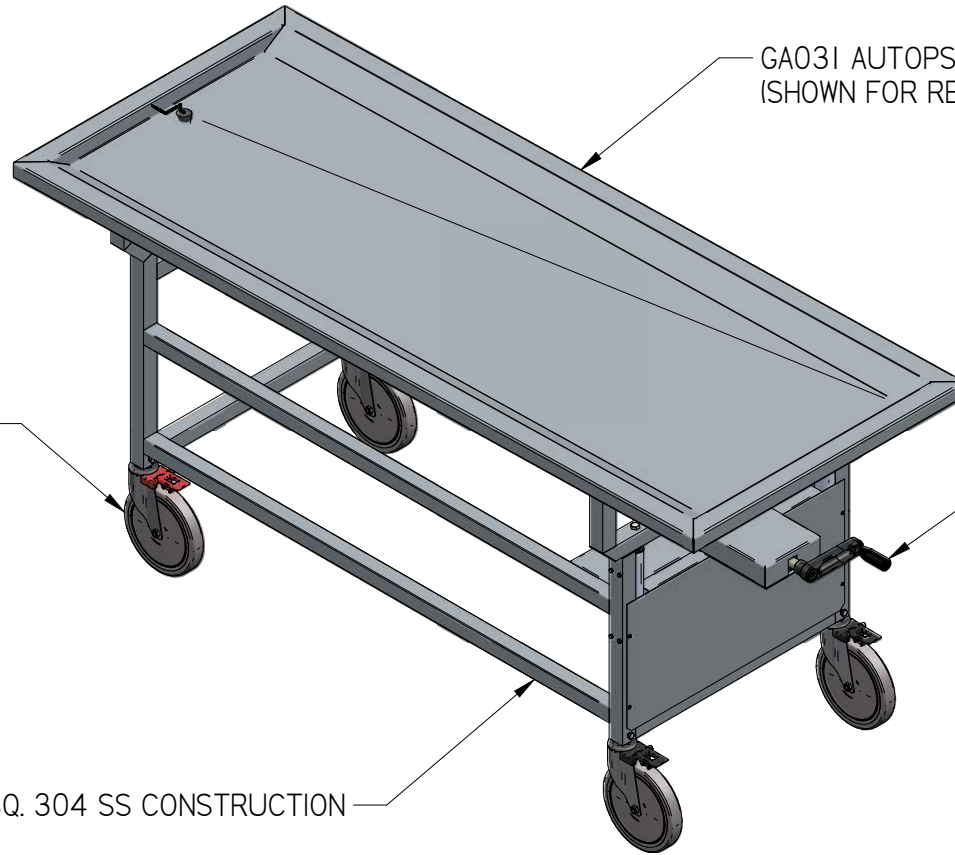


NOTE: TRAY SOLD SEPARATELY

REV.	DESCRIPTION	DATE	BY	APP.
A	INITIAL RELEASE	00-XXXX-19	XXXXX	MM



GA031 AUTOPSY TRAY  
(SHOWN FOR REFERENCE ONLY)

(4) HEAVY DUTY 8" CASTERS  
- 3 TOTAL LOCK  
- 1 DIRECTIONAL LOCK

HAND CRANK ELEVATION  
7-7.5" ON HAND CRANK SIDE

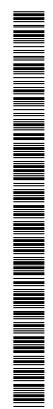
1.5" SQ. 304 SS CONSTRUCTION

APPROVED BY: _____	DATE: _____
<input type="checkbox"/> AS SHOWN (PROCEED WITH FABRICATION)	
<input type="checkbox"/> AS NOTED (TO BE RESUBMITTED FOR FINAL APPROVAL)	

<b>MOPEC LEGAL NOTE</b> THIS DOCUMENT CONTAINS PROPRIETARY INFORMATION OF MOPEC AND MAY NOT BE COPIED IN WHOLE OR PART AND NO USE SHALL BE MADE OF IT OTHER THAN FOR WHICH IT HAS BEEN SUBMITTED WITHOUT THE WRITTEN PERMISSION OF A MOPEC MANAGER MOPEC 2026	UNLESS OTHERWISE SPECIFIED ALL DIMENSIONS IN INCHES: TOLERANCES: 00 ± 0.1 in 000 ± 0.05 in 0.000 ± 0.0010 in 0.0000 ± 0.0010 in ANGLES: ±0.5° BREAK ALL CORNERS: 0.063 X 45° ALL ELLET RNDI R0.063 X 0.125 in INSPECT OVAL DIMENSIONS	CUSTOMER NAME: _____ CITY STATE: _____ Error: No reference PROJECT #: _____ Error: No reference
---	---	---

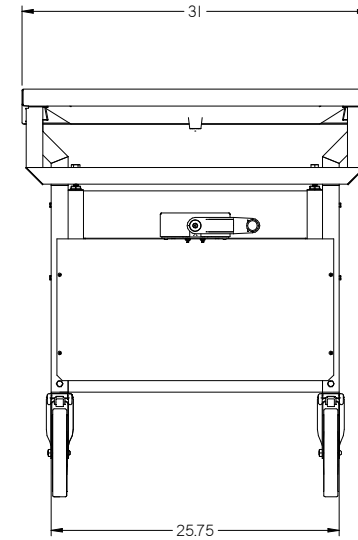
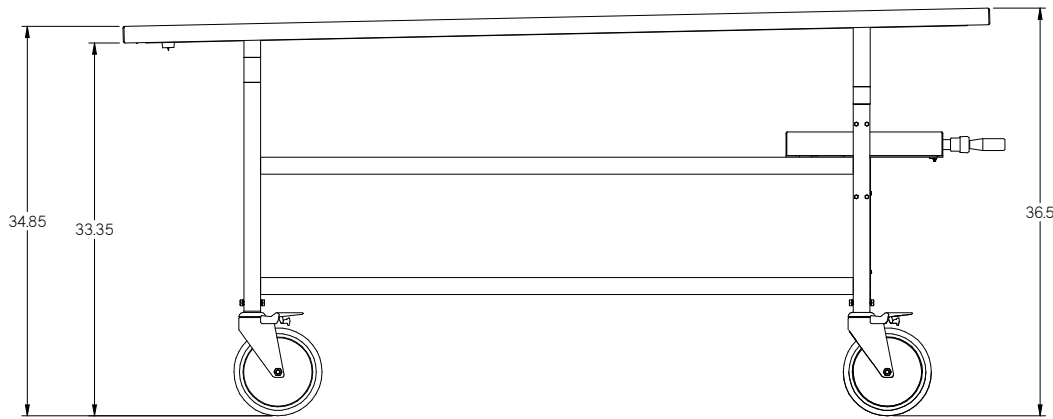
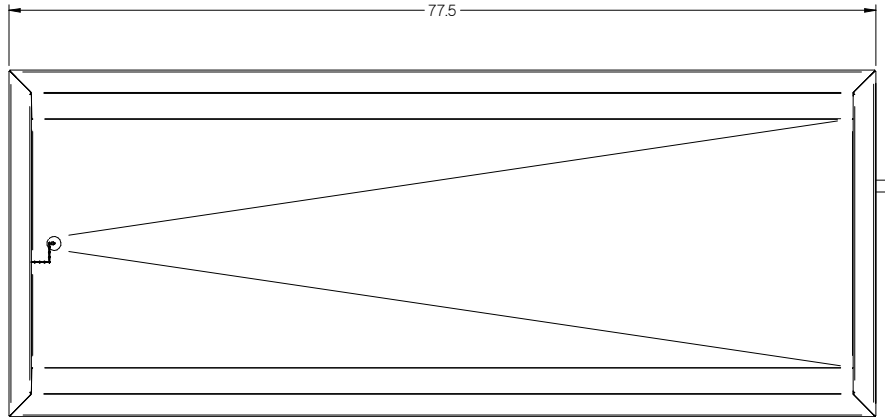
<b>MOPEC GROUP</b> <b>MORTECH</b> PH 1-248-291-2040 FAX 1-248-291-2050 DRAWN TO 3RD ANGLE PROJECTION	DRAWN BY: dallmayer DATE: 12/10/2025 CHECKED BY: _____ DATE: 12/10/2025 APPROVED BY: _____ DATE: MMCCCLAIN 12/10/2025
---	---

PRODUCT NAME: DB031-A DESCRIPTION: CART, AUTOPSY, TILTING, GA031 TRAY (NOT INCLUDED)	SHEET NUMBER: A2 DRAWING NUMBER: DB031-A APPROVAL.dft SCALE: 1:5 DO NOT SCALE IF IN DOUBT ASK	REV: A SHEET 1 OF 2
---	--	------------------------



NOTE: TRAY SOLD SEPARATELY

REV	DESCRIPTION	DATE	BY	APP
A	INITIAL RELEASE	00-XXXX-19	XXXXX	MM



APPROVED BY: \_\_\_\_\_ DATE: \_\_\_\_\_

AS SHOWN  
(PROCEED WITH FABRICATION)

AS NOTED  
(TO BE RESUBMITTED FOR FINAL APPROVAL)

**MOPEC LEGAL NOTE**  
 THIS DOCUMENT CONTAINS  
 PROPRIETARY INFORMATION OF  
 MOPEC, AND MAY NOT BE COPIED IN WHOLE OR  
 PART, AND NO USE SHALL BE MADE OF IT  
 OTHER THAN FOR WHICH IT HAS BEEN  
 SUBMITTED WITHOUT THE WRITTEN  
 PERMISSION OF A MOPEC MANAGER  
 MOPEC 2026

UNLESS OTHERWISE SPECIFIED  
 ALL DIMENSIONS IN INCHES:  
 TOLERANCES: 00 ± 0.1 in  
 000 ± 0.05 in  
 0.000 ± 0.001 in  
 0.0000 ± 0.0010 in  
 ANGLES: 45°  
 BREAK: ALL CORNERS: 0.063 X 45°  
 ALL FILLET RNDI: R0.063 / 0.125 in  
 INSPECT OVAL DIMENSIONS

CUSTOMER NAME:  
 \_\_\_\_\_

CITY STATE:  
 Error: No reference

PROJECT #:  
 Error: No reference

**MOPEC GROUP**  
**Mopec MORTTECH**  
 PH: 1-248-291-2040 FAX: 1-248-291-2050  
 DRAWN TO  
 3RD ANGLE  
 PROJECTION

DRAWN BY: dallmayer  
 DATE: 12/10/2025  
 CHECKED BY:  
 DATE: 12/10/2025  
 APPROVED BY:  
 DATE: MMCCCLAIN  
 12/10/2025

PRODUCT NAME: DB031-A  
 DESCRIPTION: CART, AUTOPSY, TILTING, GA031 TRAY (NOT INCLUDED)  
 SIZE: A2  
 DRAWING NUMBER: DB031-A APPROVAL.dft  
 SCALE: 1:5.56  
 DO NOT SCALE IF IN DOUBT ASK  
 SHEET 2 OF 2

