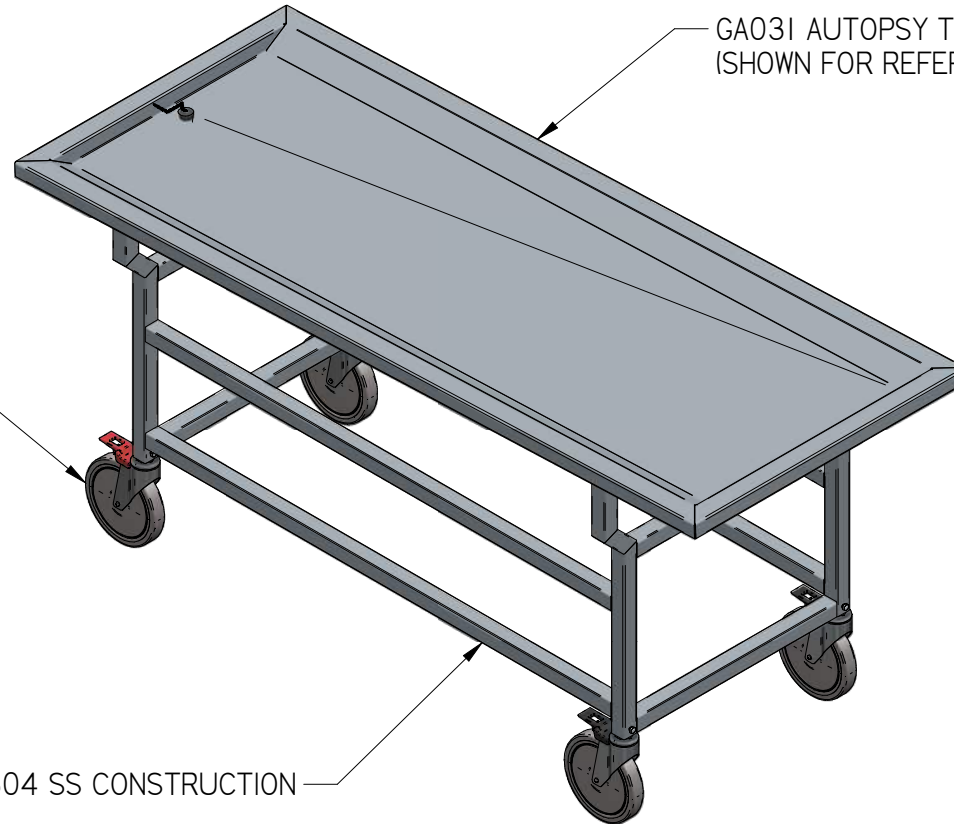


NOTE: TRAY SOLD SEPARATELY

REV	DESCRIPTION	DATE	BY	APP
A	INITIAL RELEASE	00-XXXX-19	XXXXX	MM



GA031 AUTOPSY TRAY
(SHOWN FOR REFERENCE ONLY)

(4) HEAVY DUTY 8" CASTERS
- 3 TOTAL LOCK
- 1 DIRECTIONAL LOCK

1.5" SQ. 304 SS CONSTRUCTION

APPROVED BY: _____ DATE: _____

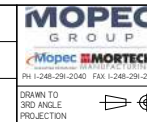
AS SHOWN
(PROCEED WITH FABRICATION)

AS NOTED
(TO BE RESUBMITTED FOR FINAL APPROVAL)

MOPEC LEGAL NOTE
THIS DOCUMENT CONTAINS
PROPRIETARY INFORMATION OF
MOPEC, AND MAY NOT BE COPIED IN WHOLE OR
PART, AND NO USE SHALL BE MADE OF IT
OTHER THAN FOR WHICH IT HAS BEEN
SUBMITTED WITHOUT THE WRITTEN
PERMISSION OF A MOPEC MANAGER
MOPEC 2025

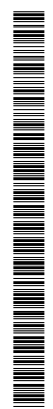
UNLESS OTHERWISE SPECIFIED
ALL DIMENSIONS IN INCHES:
TOLERANCES: 00 ± 0.1 in
000 ± 0.05 in
0.000 ± 0.001 in
0.0000 ± 0.0010 in
ANGLES: ±0.5°
BREAK: ALL CORNERS: 0.063 X 45°
ALL FILLET RND: R0.063 (0.125 in)
INSPECT OVAL DIMENSIONS

CUSTOMER NAME: _____
CITY STATE: _____
Error: No reference
PROJECT #: _____
Error: No reference

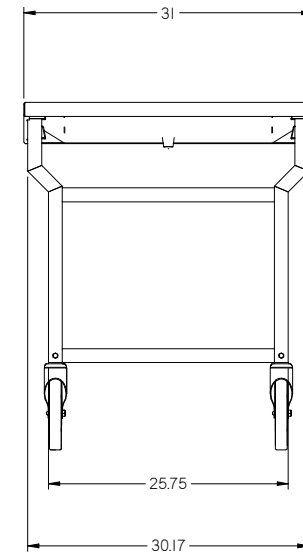
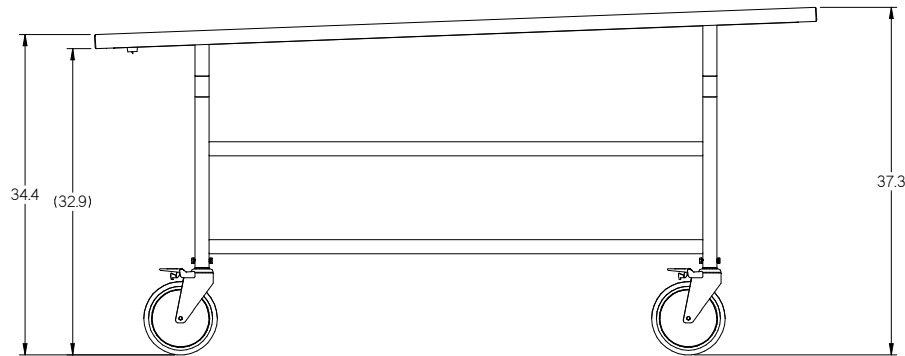
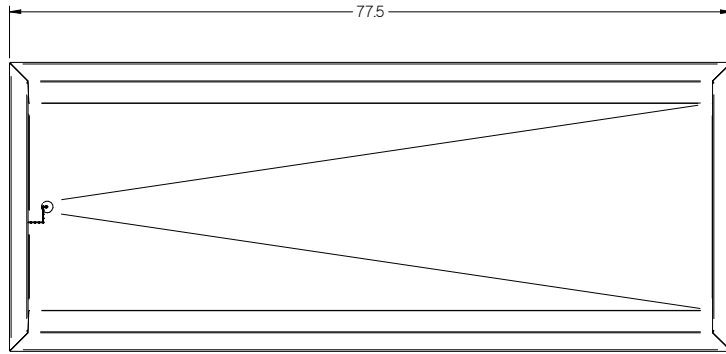


DRAWN BY: dallmayer
DATE: 12/10/2025
CHECKED BY: _____
DATE: 12/10/2025
APPROVED BY: _____
DATE: MMCCCLAIN
12/10/2025

PRODUCT NAME: DA031-A
DESCRIPTION: CART, AUTOPSY, GA031 TRAY (NOT INCLUDED)
SHEET NUMBER: A2
DRAWING NUMBER: DA031-A APPROVAL.dft
REV: A
SCALE: 1:5
DO NOT SCALE IF IN DOUBT ASK
SHEET 1 OF 2



NOTE: TRAY SOLD SEPARATELY



REV	DESCRIPTION	DATE	REV. #	APP
A	INITIAL RELEASE	00-XXXX-19	XXXXX	MM

APPROVED BY: _____ DATE: _____

AS SHOWN
(PROCEED WITH FABRICATION)

AS NOTED
(TO BE RESUBMITTED FOR FINAL APPROVAL)

MOPEC LEGAL NOTE

THIS DOCUMENT CONTAINS PROPRIETARY INFORMATION OF MOPEC, AND MAY NOT BE COPIED IN WHOLE OR PART, AND NO USE SHALL BE MADE OF IT OTHER THAN FOR WHICH IT HAS BEEN SUBMITTED WITHOUT THE WRITTEN PERMISSION OF A MOPEC MANAGER

MOPEC 2025

UNLESS OTHERWISE SPECIFIED, ALL DIMENSIONS IN INCHES:

TOLERANCES: 00 ± 0.1 in
000 ± 0.05 in
0.000 ± 0.001 in
0.0000 ± 0.0010 in

ANGLES: 45°

BREAK: ALL CORNERS: 0.063 X 45°
ALL ELLETS: RND1/0.063 X 0.125 in
INSPECT OVAL DIMENSIONS

CUSTOMER NAME: _____

CITY/STATE: _____

PROJECT #: _____

Error: No reference

Error: No reference

MOPEC GROUP

Mopec MORTTECH

PH: 1-248-291-2040 FAX: 1-248-291-2050

DRAWN BY: dallmayer
DATE: 12/10/2025

CHECKED BY: _____
DATE: 12/10/2025

APPROVED BY: _____
DATE: MMCCCLAIN
12/10/2025

PRODUCT NAME: DA031-A

DESCRIPTION: CART, AUTOPSY, GA031 TRAY (NOT INCLUDED)

SHEET NUMBER: A2

SCALE: 1:8

DO NOT SCALE IF IN DOUBT ASK

SHEET 2 OF 2

