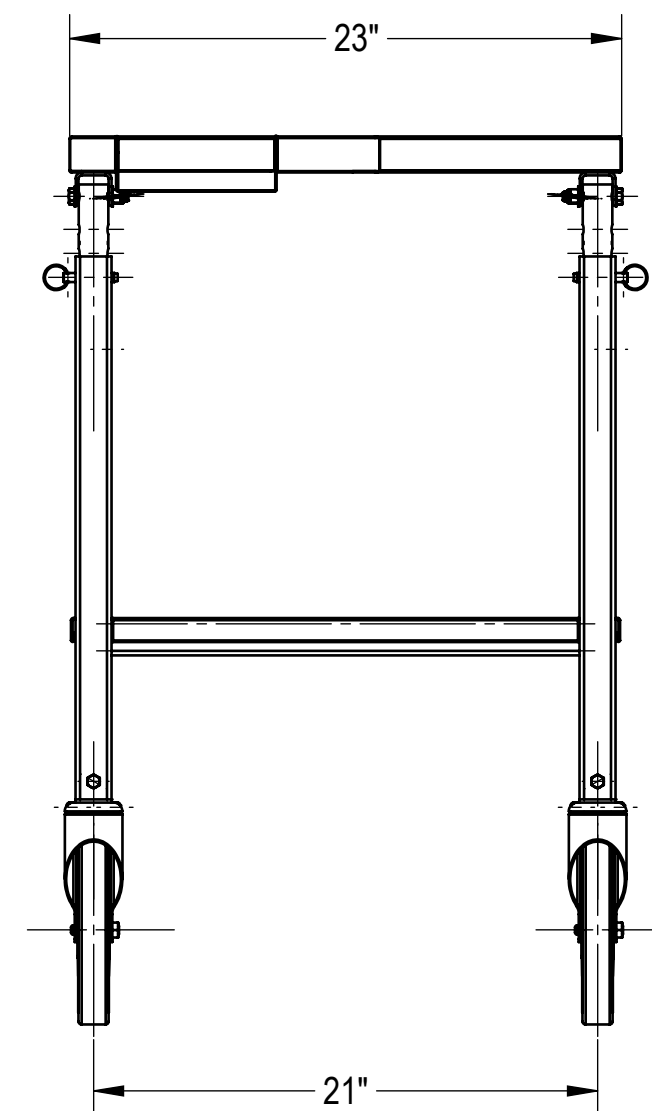
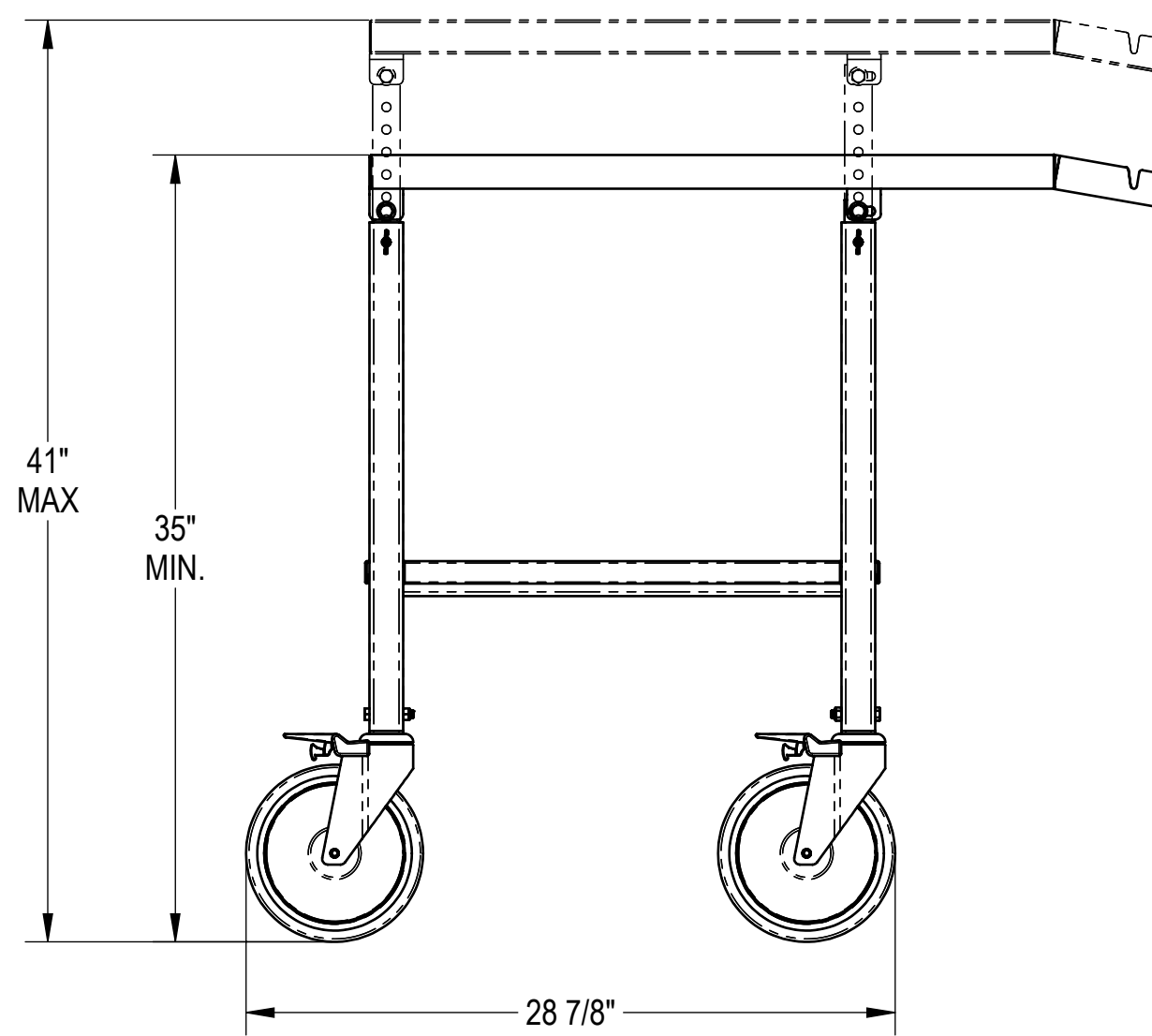
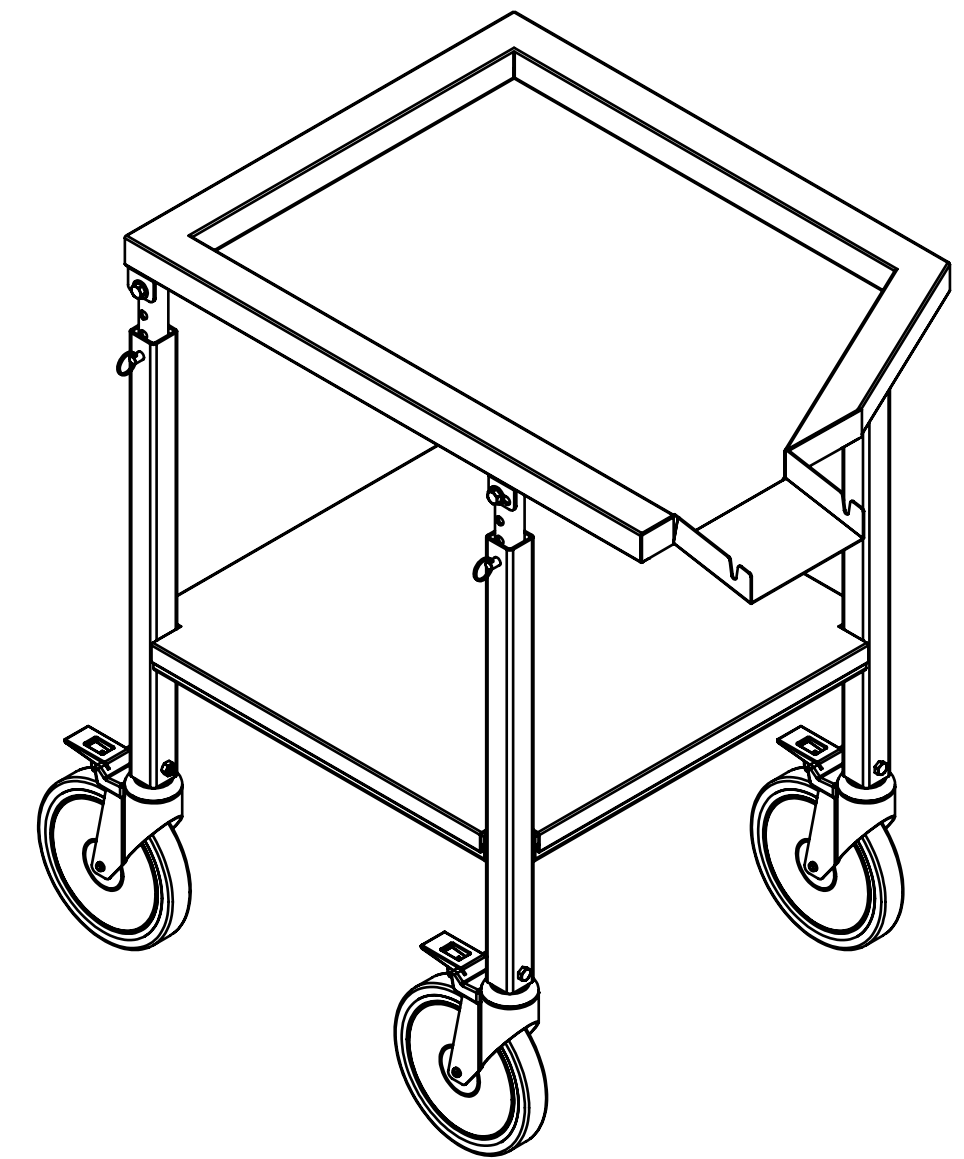
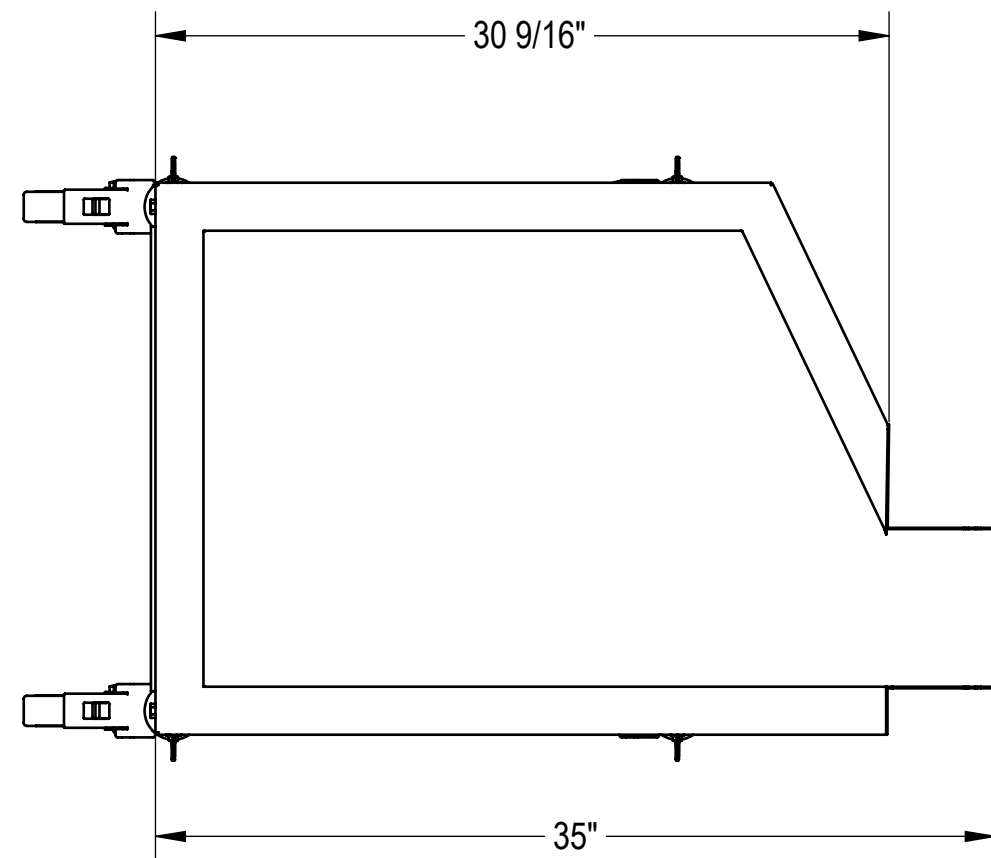


NOTES: UNLESS OTHERWISE SPECIFIED

1. APPLICABLE STANDARDS AND SPECIFICATIONS:
ASMEY14.5-2009, DIMENSIONING AND TOLERANCING
ASME Y14.5-2007, ABBREVIATIONS

REVISIONS				
REV.	DCN#	DESCRIPTION	DATE	CHANGED/APPROVED
A	-	PRODUCTION RELEASE	07/11/16	FY/
B	-	REVISED DRAWING SHEET AND VIEWS TO ACCOMMODATE REQUIREMENTS OF NEW PDM SYSTEM AND DRAWING STANDARDS.	07/19/18	JA/



CUSTOMER		APPROVAL		<p align="center">PROPRIETARY</p> <p align="center">THIS DOCUMENT AND THE DATE DISCLOSED HEREIN AND HEREWITH IS NOT TO BE REPRODUCED, USED, OR OTHERWISE DISCLOSED IN WHOLE OR IN PART TO ANYONE WITHOUT WRITTEN AUTHORIZATION FROM MORTECH MFG.</p>			<p align="center">MOPEC GROUP</p> <p align="center">411 North Aerojet Avenue Azusa, CA 91702 tel: (800) 410-0100 (626) 334-1471 fax: (626) 334-1704 www.motechmfg.com</p>			
PROJECT		SIGNATURE		DATE	<p>DO NOT SCALE DRAWING</p> <p>MATERIAL: 304 STAINLESS STEEL</p> <p>FINISH: GRAINED</p>	<p>APPROVALS</p> <p>DRAWN BY: FERN Y.</p> <p>CHECKED BY:</p> <p>APPROVED BY:</p>	<p>DATE</p> <p>7/11/2016</p>	<p>TITLE</p> <p align="center">MODEL 600042A</p> <p align="center">ADJUSTABLE DISSECTING CART</p>		<p>REV.</p> <p align="right">B</p>
					<p>SCALE: 1:8</p>	<p>SIZE: C</p>	<p>DWG NO.:</p> <p align="center">600042AAP</p>	<p>NEXT ASSY.:</p>	<p>SHEET</p> <p align="center">1</p>	<p>OF</p> <p align="center">1</p>