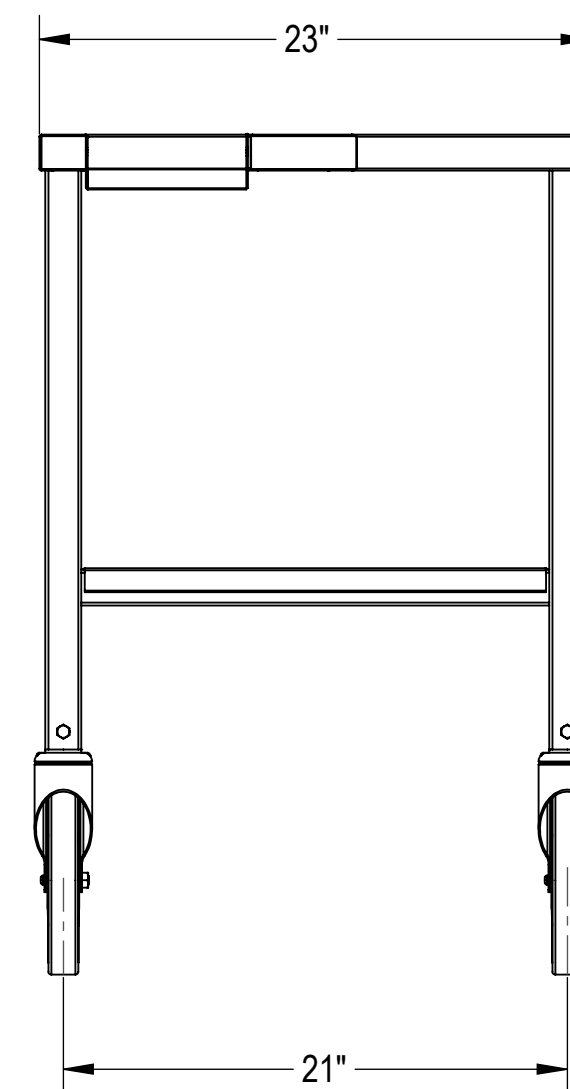
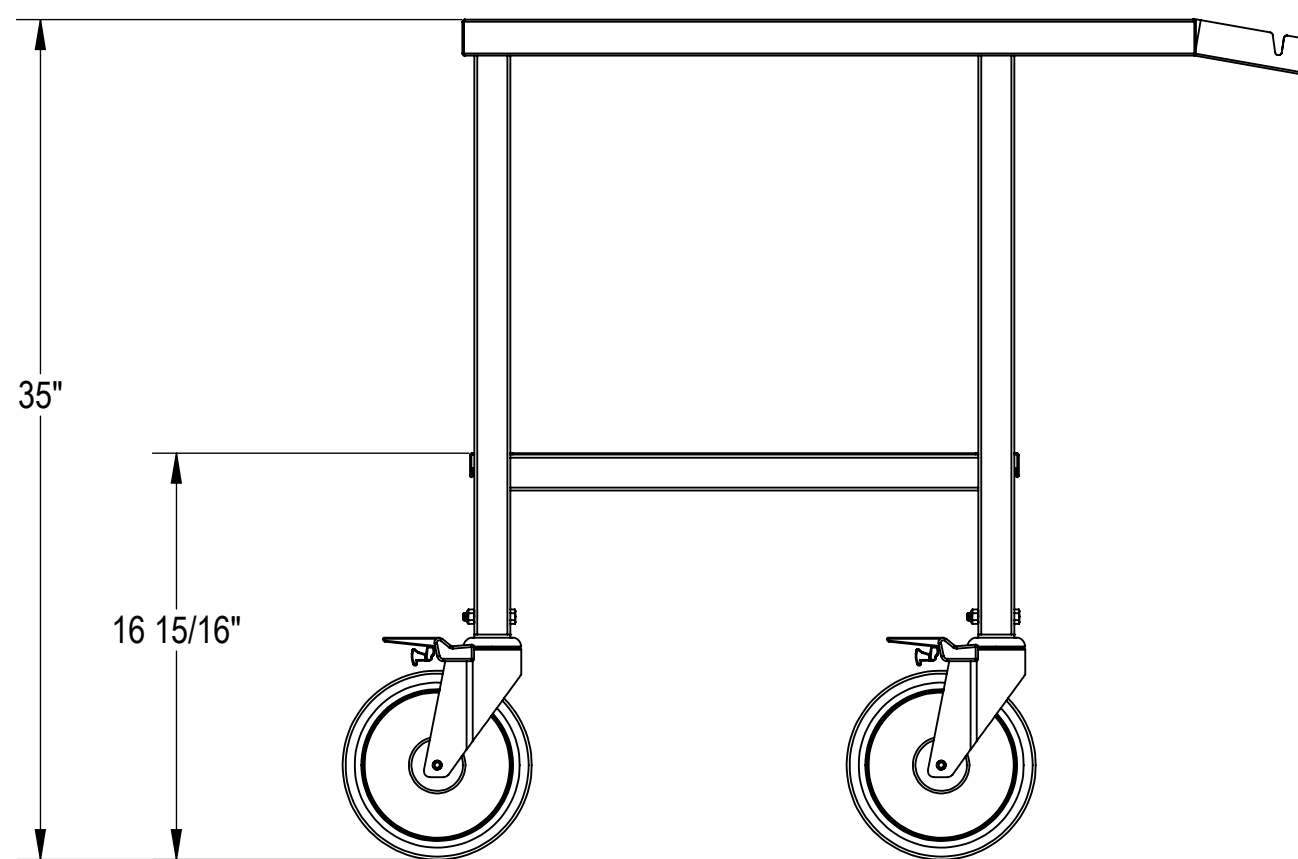
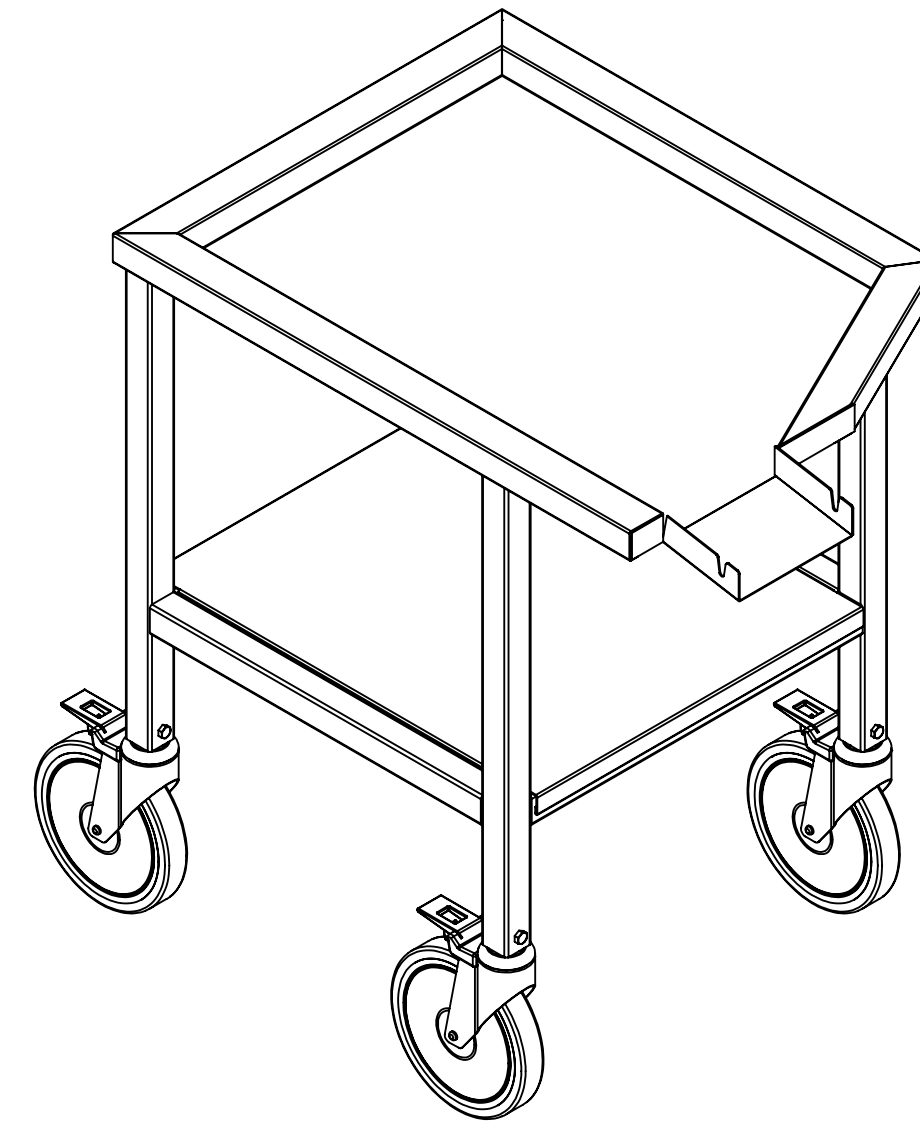
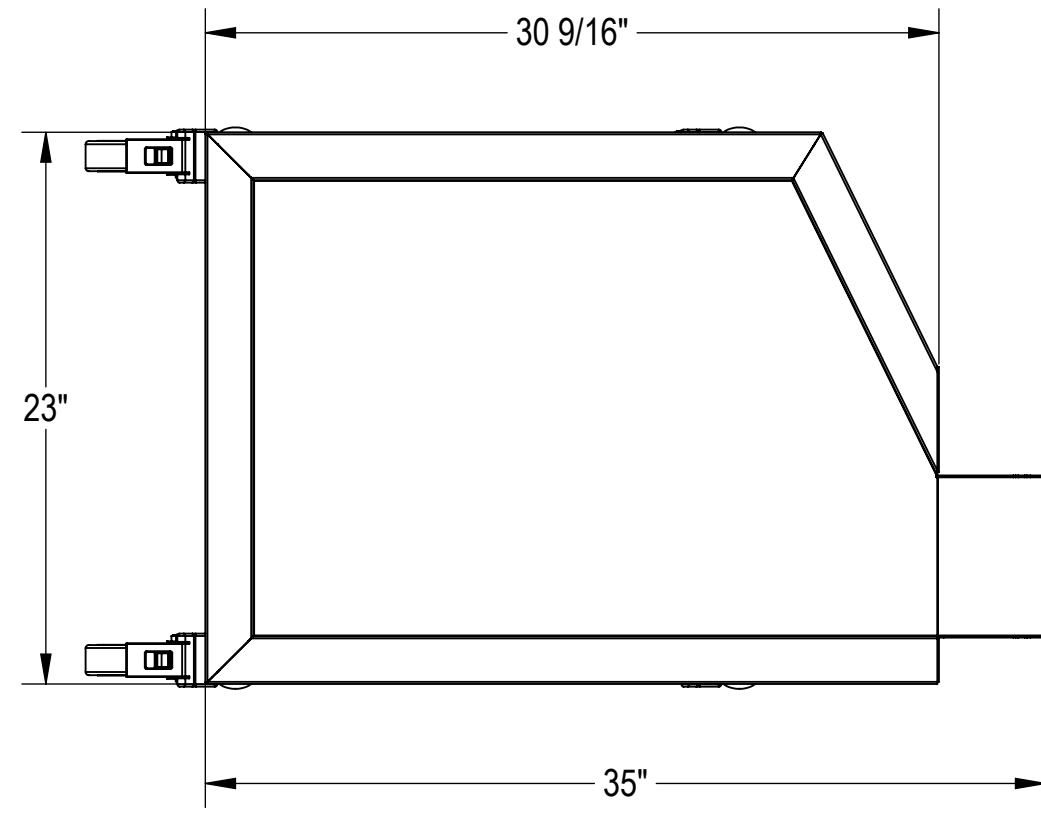



NOTES: UNLESS OTHERWISE SPECIFIED

1. APPLICABLE STANDARDS AND SPECIFICATIONS;
ASME Y14.5-2009, DIMENSIONING AND TOLERANCING
ASME Y14.5-2007, ABBREVIATIONS



CUSTOMER CUSTOMER NAME		APPROVAL		<p style="text-align: center;"><u>PROPRIETARY</u></p> <p style="text-align: center;">THIS DOCUMENT AND THE DATE DISCLOSED HEREIN AND HERewith IS NOT TO BE REPRODUCED, USED, OR OTHERWISE DISCLOSED IN WHOLE OR IN PART TO ANYONE WITHOUT WRITTEN AUTHORIZATION FROM MORTECH MFG.</p>					411 North Aerojet Avenue Azusa, CA 91702 tel: (800) 410-0100 (626) 334-1471 fax: (626) 334-1704 www.mortechmfg.com												
PROJECT LINE 1 LINE 2		SIGNATURE					DATE	<p style="text-align: center;">DO NOT SCALE DRAWING</p> <table border="1" style="width: 100%;"> <tr> <th colspan="2">APPROVALS</th> <th>DATE</th> </tr> <tr> <td>DRAWN BY EDWIN L.</td> <td></td> <td>3/27/2026</td> </tr> <tr> <td>CHECKED BY</td> <td></td> <td></td> </tr> <tr> <td>APPROVED BY</td> <td></td> <td></td> </tr> </table>		APPROVALS		DATE	DRAWN BY EDWIN L.		3/27/2026	CHECKED BY			APPROVED BY		
APPROVALS		DATE																			
DRAWN BY EDWIN L.		3/27/2026																			
CHECKED BY																					
APPROVED BY																					
		MATERIAL 304 SS		FINISH 4		SIZE C	DWG NO. 600042	SCALE 1:8	NEXT ASSY.	SHEET 1 OF 1											