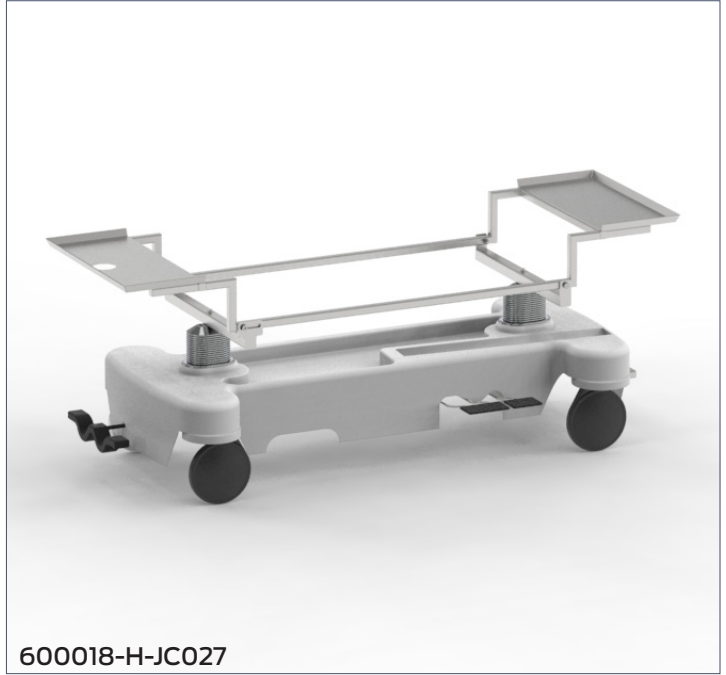


# Hydraulic Autopsy Carrier Chassis

Mopec carriers are designed to provide safe, secure, and dignified transport in professional environments. Built from durable, high-quality materials, they offer dependable strength and stability while supporting efficient handling. Thoughtful design features help improve ease of use, making Mopec carriers a reliable choice for everyday professional needs.



600018-H-JC023



600018-H-JC027

## SPECIFICATIONS

### Construction

- Hydraulic foot pump elevation, 13"
- Four-wheel steel-ring brake system with dual end activators.
- Dual retractable fifth wheel steering.
- Cadaver lift accessible.
- Fits corresponding JC Series 23" or 27" trays only (sold separately)

### Materials

- 11 Gauge 304 Stainless steel
- Hydraulic Stryker base

### Dimensions

- 76.1" L x 30" W x 28.8" (minimum) – 41.8" (maximum) H

### Capacity

- 600018-H-JC023: 300 lbs
- 600018-H-JC027: 350 lbs

### Compatibility

- 600018-H-JC023: JC023 and JC023D trays only
- 600018-H-JC027: JC027 and JC027D trays only

### Note:

- Trays sold separately.

## Variations

Model No.	Description	Dimensions
600018-H-JC023	Hydraulic Carrier Chassis for JC Series 23" Trays	76.1" L x 30" W x 28.8" - 41.8" H
600018-H-JC027	Hydraulic Carrier Chassis for JC Series 27" Trays	76.1" L x 30" W x 28.8" - 41.8" H

**MOPEC**  
GROUP

**mopec**  
ELEVATING PATHOLOGY

**MORTECH**  
MANUFACTURING

[www.mopecgroup.com](http://www.mopecgroup.com)

800.362.8491

800 Tech Row, Madison Heights, MI