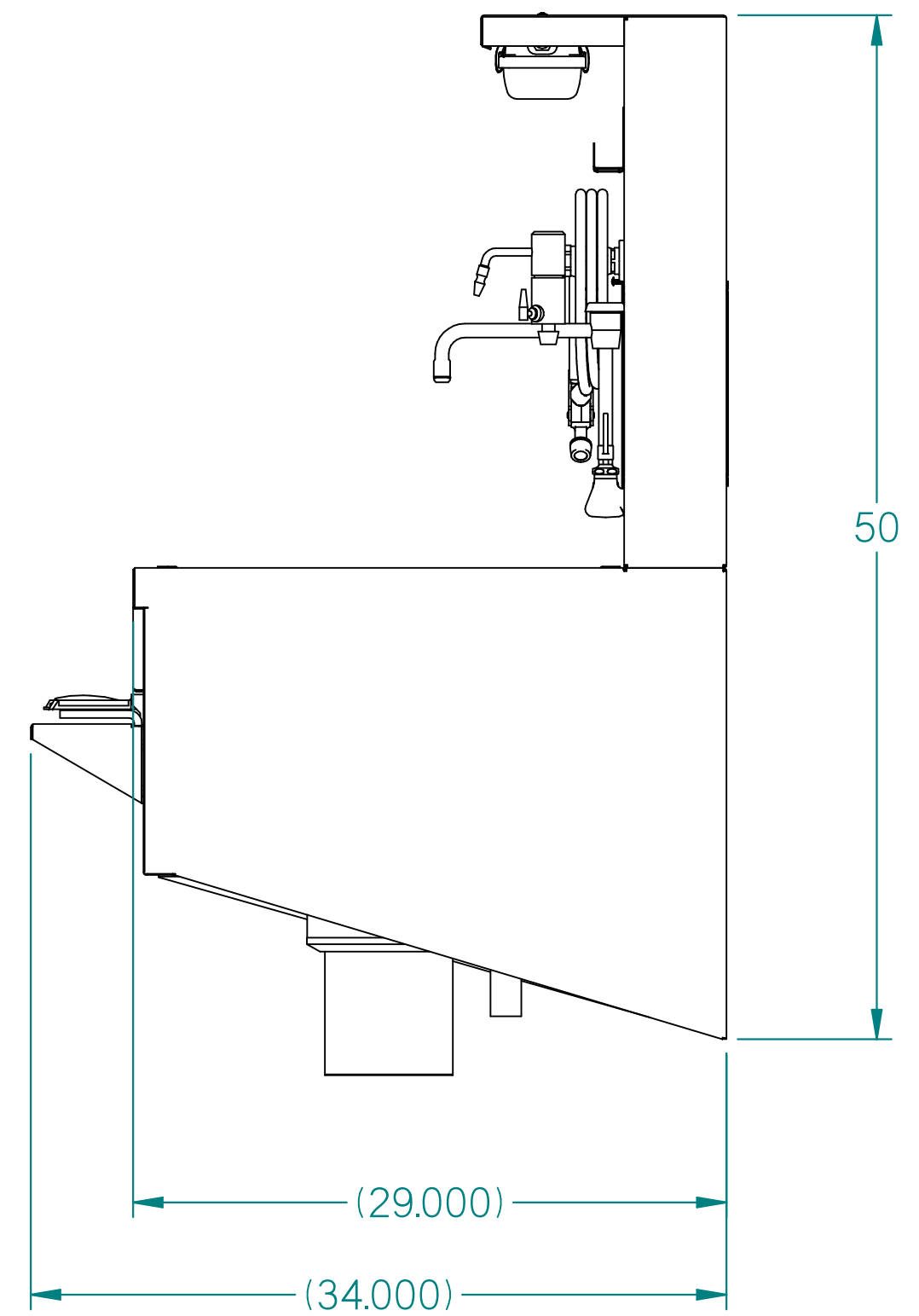
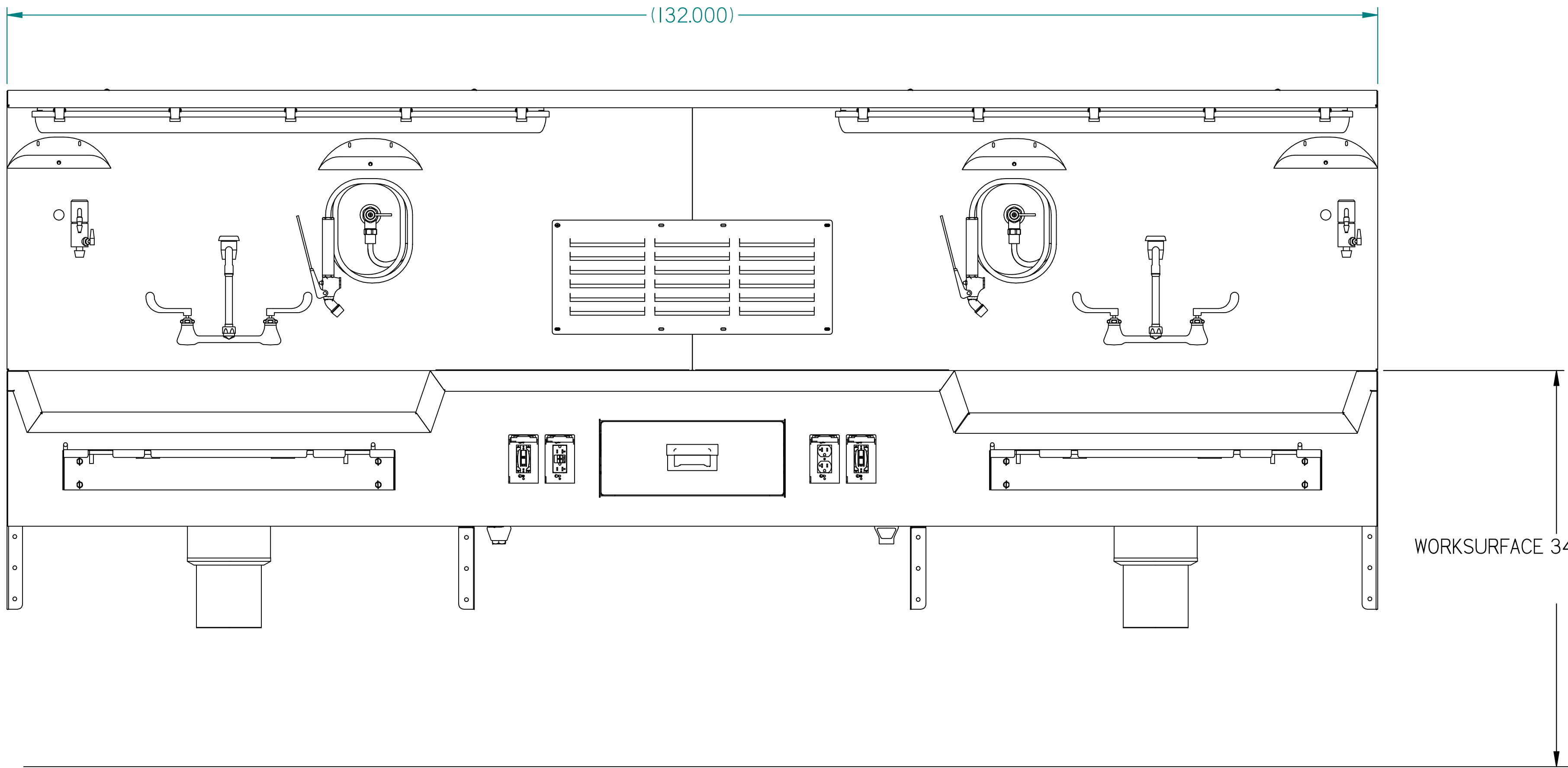
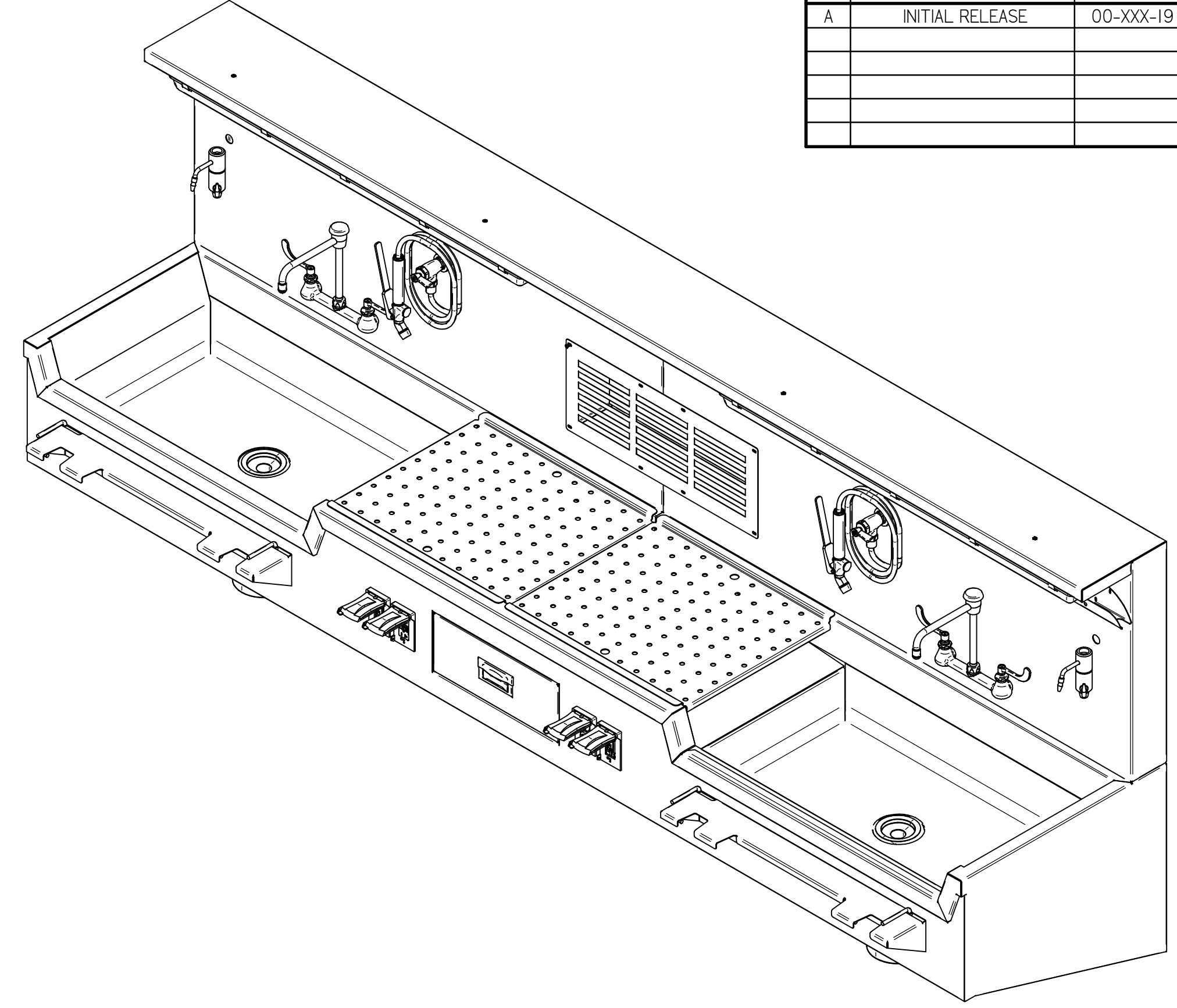
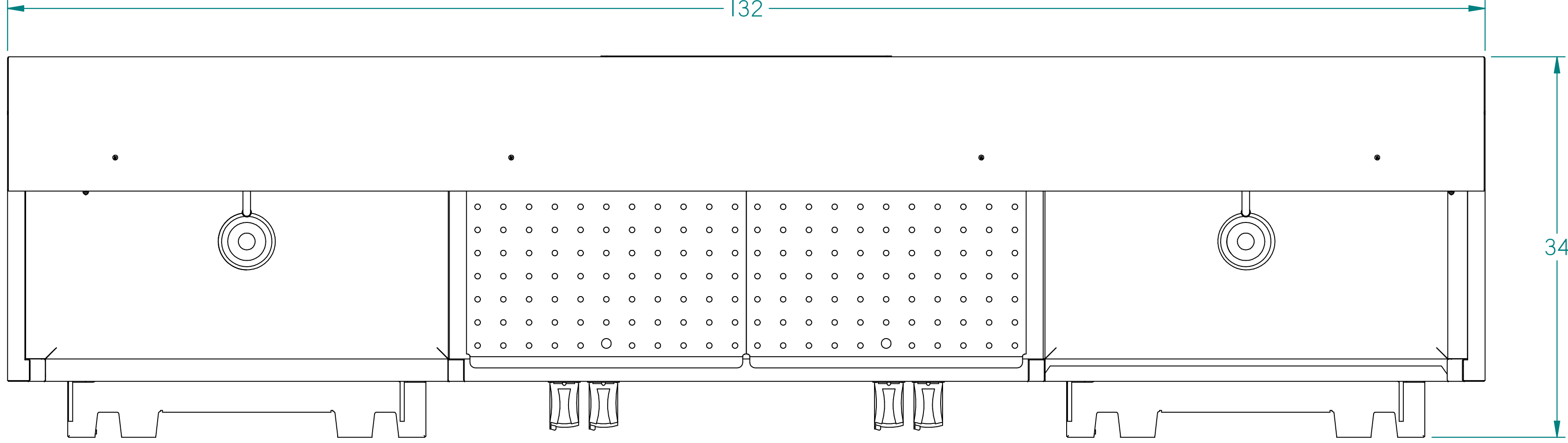


REV	DESCRIPTION	DATE	ECN #	APPR
A	INITIAL RELEASE	00-XXX-19	XXXXX	MM



FINISHED FLOOR LINE (FFL)

WORKSURFACE 34" ABOVE FFL

MOPEC LEGAL NOTE
 THIS DOCUMENT CONTAINS PROPRIETARY INFORMATION OF MOPEC, AND MAY NOT BE COPIED IN WHOLE OR PART, AND NO USE SHALL BE MADE OF IT OTHER THAN FOR WHICH IT HAS BEEN SUBMITTED WITHOUT THE WRITTEN PERMISSION OF A MOPEC MANAGER
 MOPEC 2025

UNLESS OTHERWISE SPECIFIED ALL DIMENSIONS IN INCHES
 TOLERANCES 0.0 ± 0.1 in
 0.00 ± 0.05 in
 0.000 ± 0.010 in
 0.0000 ± 0.0010 in
 ANGLES ± 0.5°
 BREAK ALL CORNERS 0.063 X 45°
 ALL FILLET RADII R0.063 / 0.125 in
 INSPECT OVAL DIMENSIONS

MATERIAL



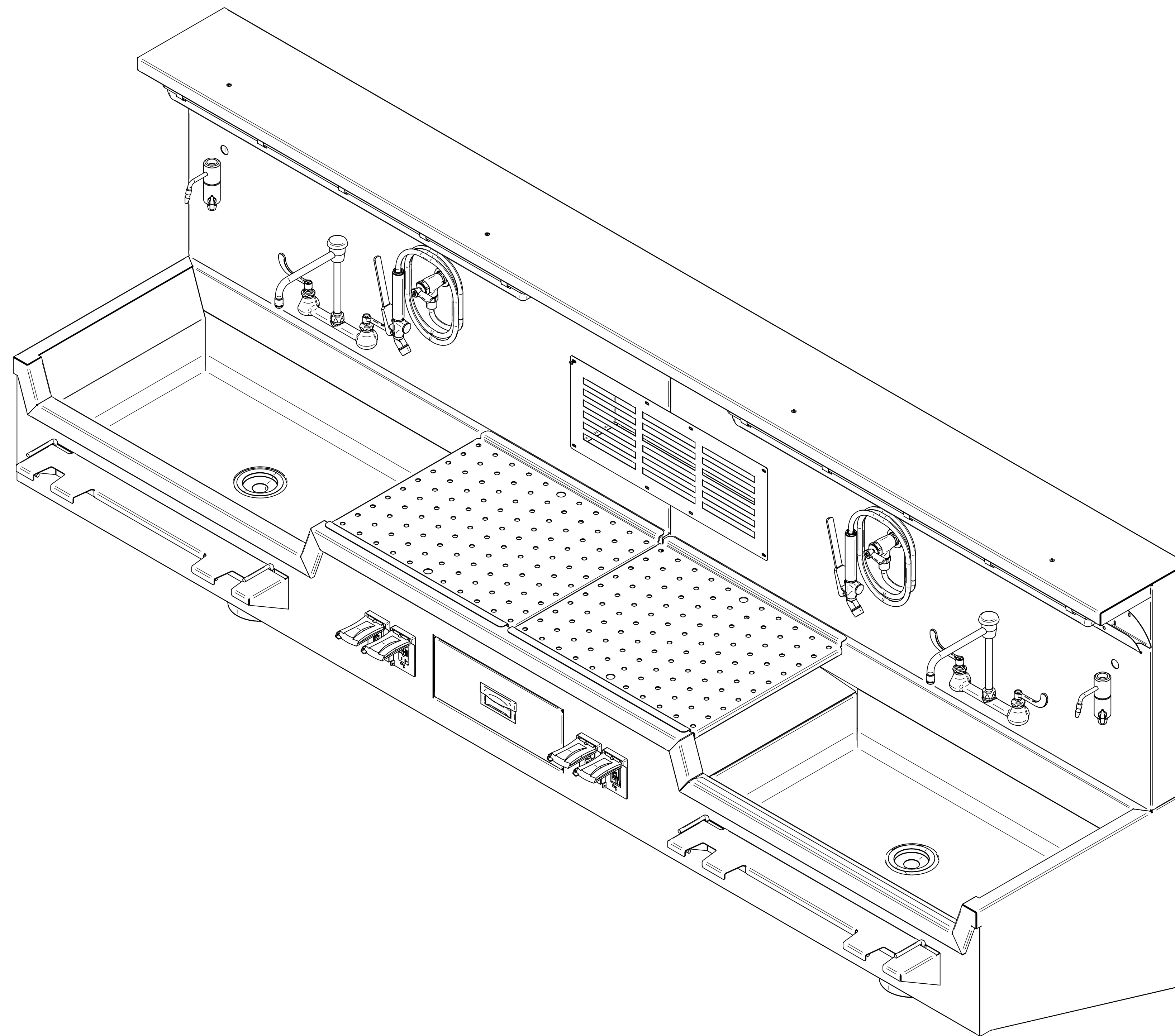
DRAWN TO 3RD ANGLE PROJECTION

DRAWN BY: jjohnson
 DATE: 8/26/2025
 CHECKED BY:
 DATE: 8/26/2025
 APPROVED BY: M.McCLAIN
 DATE: 8/26/2025

PART NUMBER: 1036-12-A
 DESCRIPTION: WALL-MOUNT STATION, DOUBLE SINK, 132"L
 SIZE: A2
 FILE NAME: 1036-12-A.dft
 SCALE: 1:8
 DO NOT SCALE IF IN DOUBT ASK
 SHEET 1 OF 2

1036-12-A.dft

REV	DESCRIPTION	DATE	ECN #	APPR
A	INITIAL RELEASE	00-XXX-19	XXXXX	MM



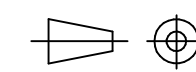
MOPEC LEGAL NOTE
 THIS DOCUMENT CONTAINS
 PROPRIETARY INFORMATION OF
 MOPEC, AND MAY NOT BE COPIED IN WHOLE
 OR PART, AND NO USE SHALL BE MADE OF
 IT OTHER THAN FOR WHICH IT HAS BEEN
 SUBMITTED WITHOUT THE WRITTEN
 PERMISSION OF A MOPEC MANAGER
 MOPEC 2025

UNLESS OTHERWISE SPECIFIED
 ALL DIMENSIONS IN INCHES
 TOLERANCES 0.0 ± 0.1 in
 0.00 ± 0.05 in
 0.000 ± 0.010 in
 0.0000 ± 0.0010 in
 ANGLES ± 0.5°
 BREAK ALL CORNERS 0.063 X 45°
 ALL FILLET RADII R0.063 / 0.125 in
 INSPECT OVAL DIMENSIONS

MATERIAL



DRAWN TO
 3RD ANGLE
 PROJECTION



DRAWN BY
 DATE: jjohnson
 8/26/2025
 CHECKED BY
 DATE: ---
 8/26/2025
 APPROVED BY
 DATE: MMcCLAIN
 8/26/2025

PART NUMBER: 1036-12-A
 DESCRIPTION: WALL-MOUNT STATION, DOUBLE SINK, 132"L
 SIZE: A2 FILE NAME: 1036-12-A.dft
 SCALE: 1:8
 DO NOT SCALE IF IN DOUBT ASK

REV A

SHEET 2 OF 2

1036-12-A.dft