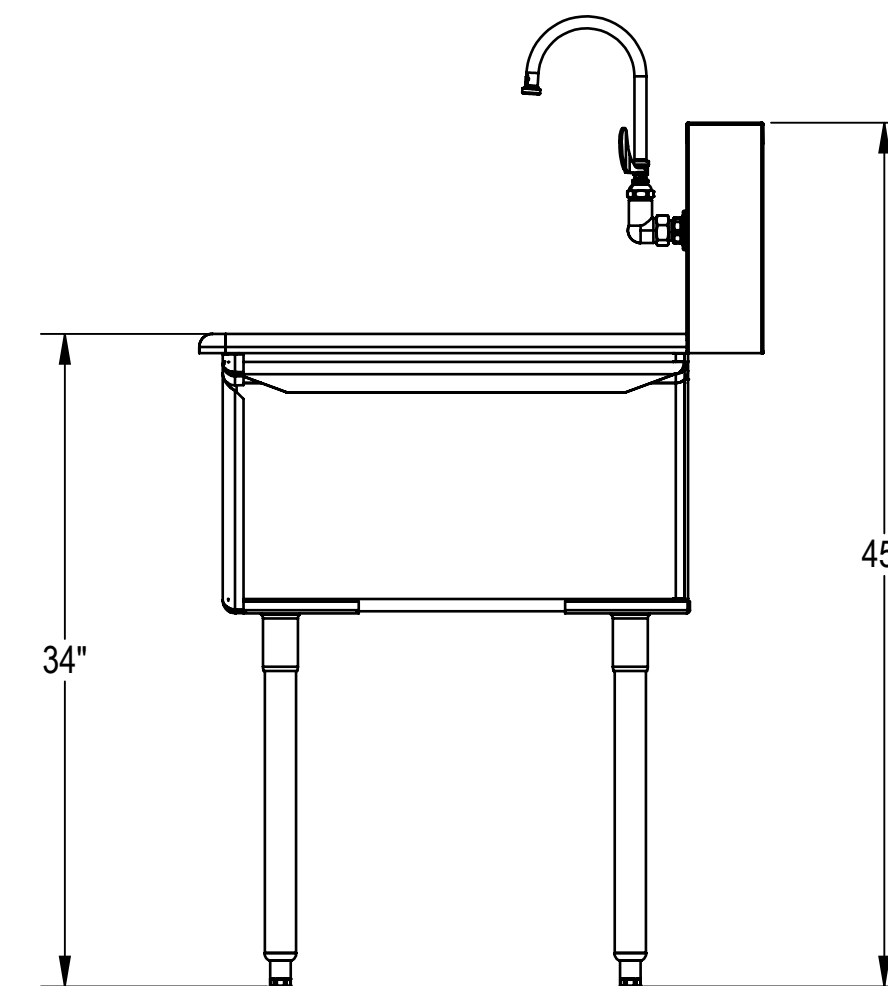
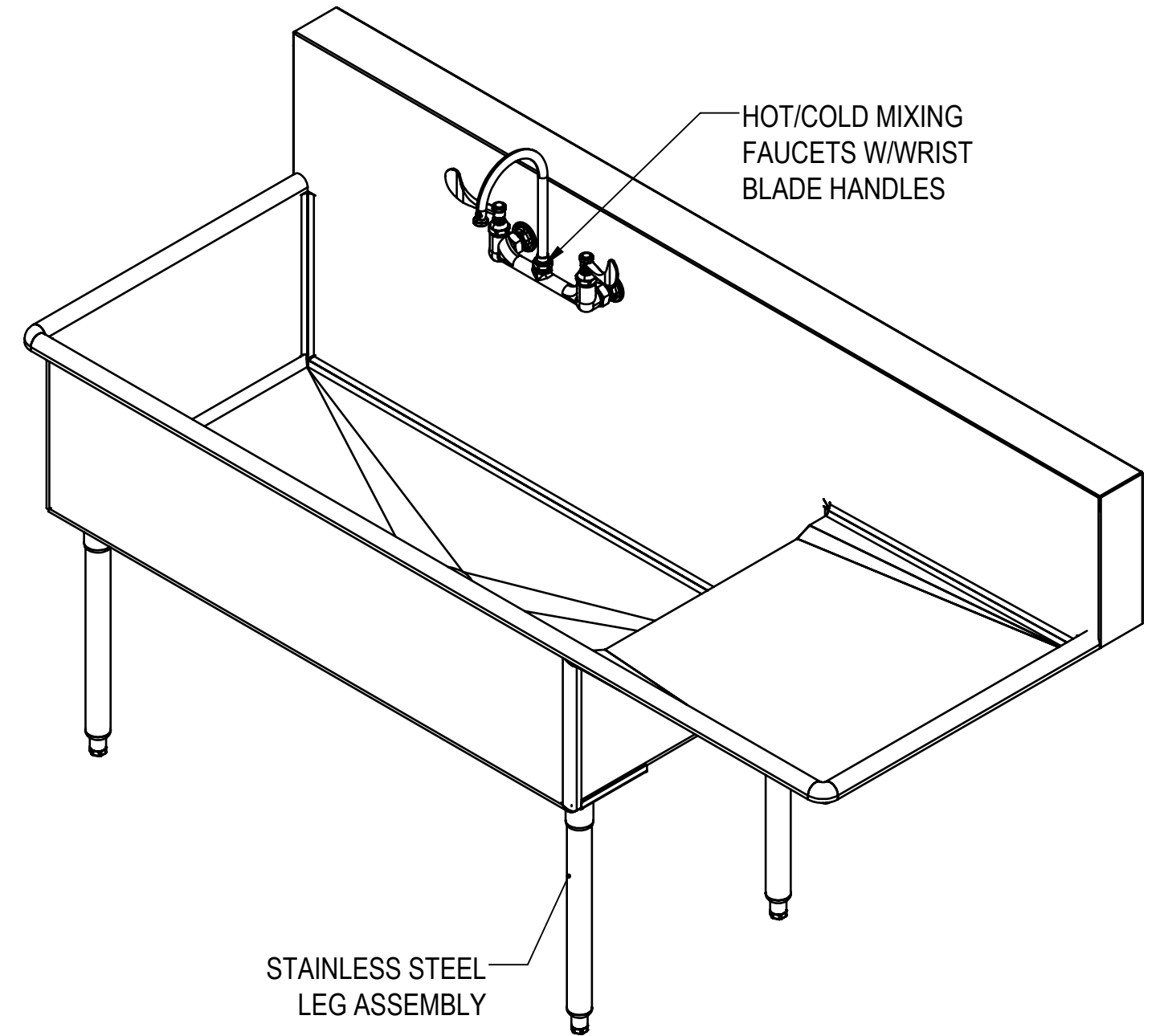
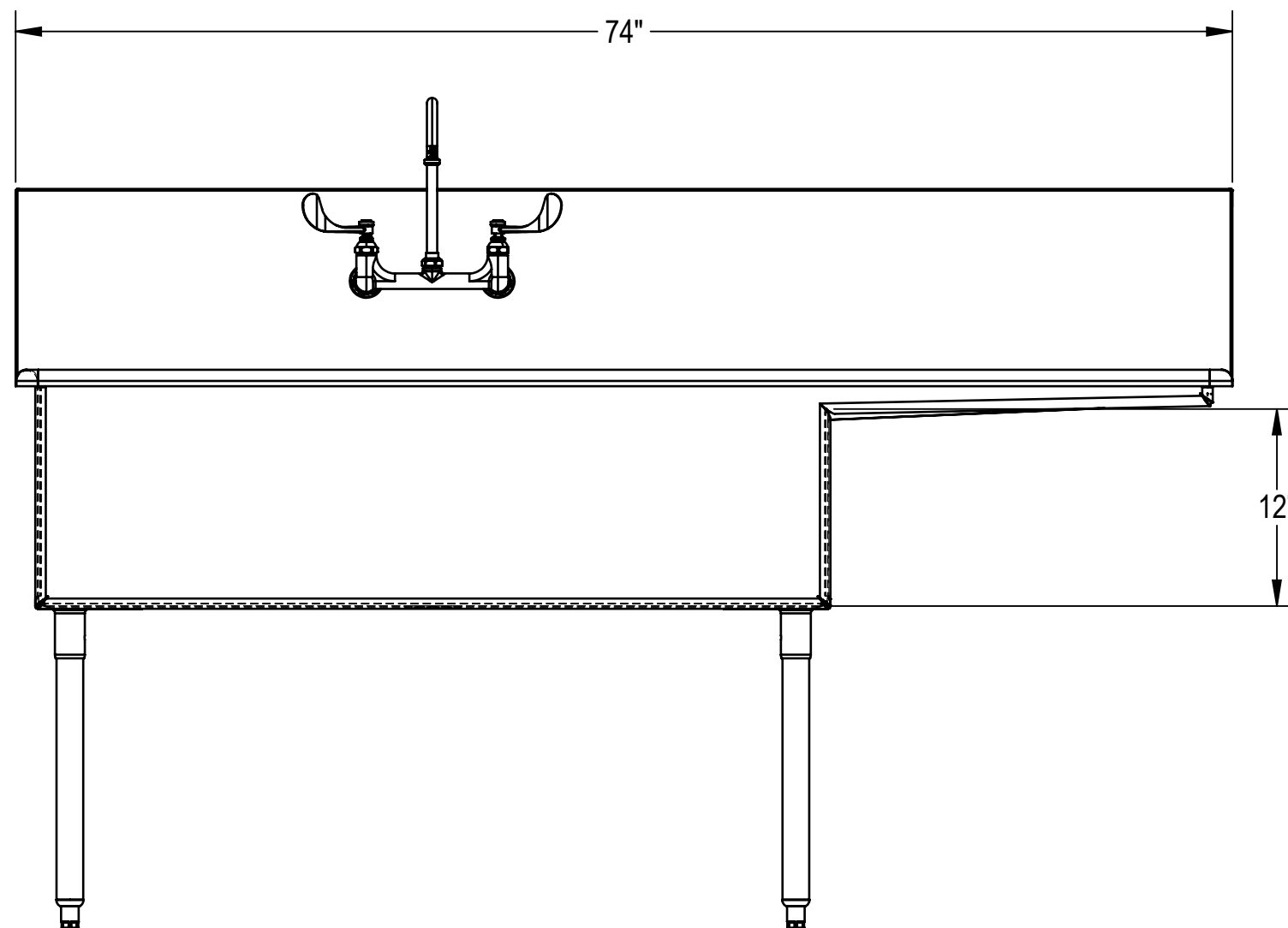
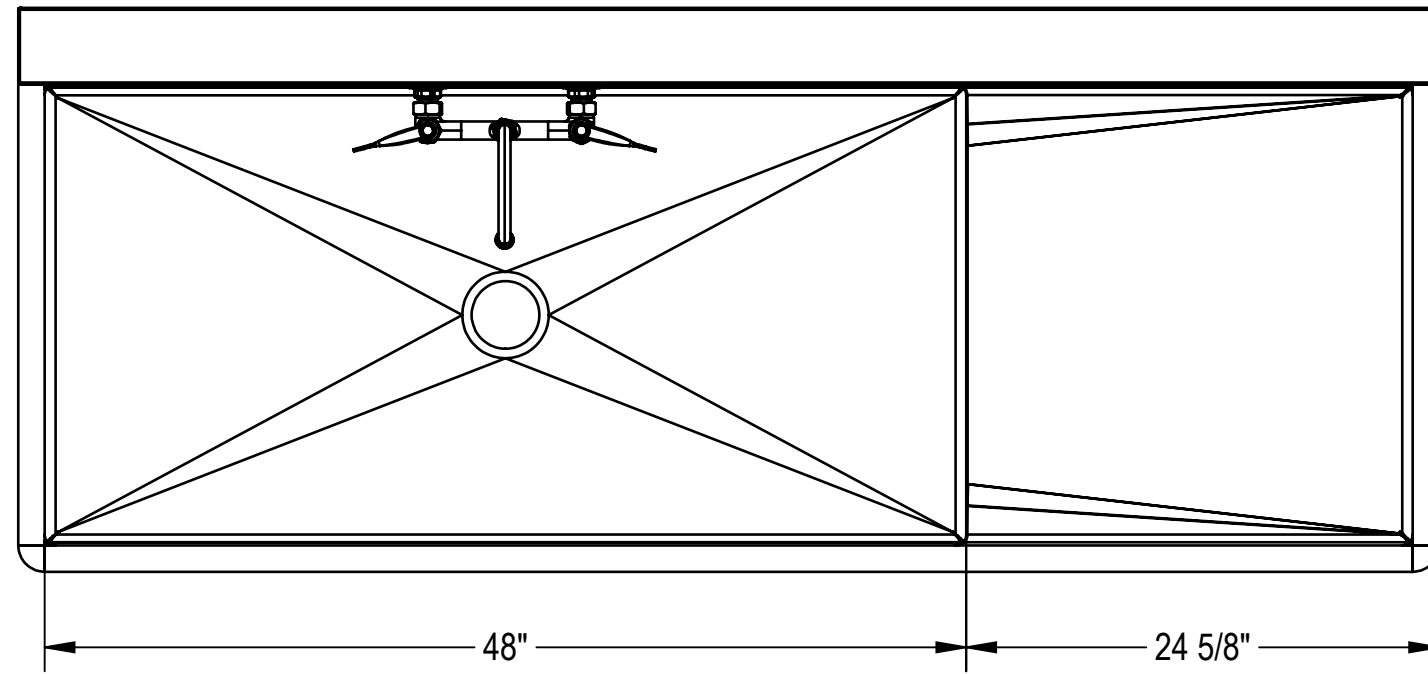



NOTES: UNLESS OTHERWISE SPECIFIED

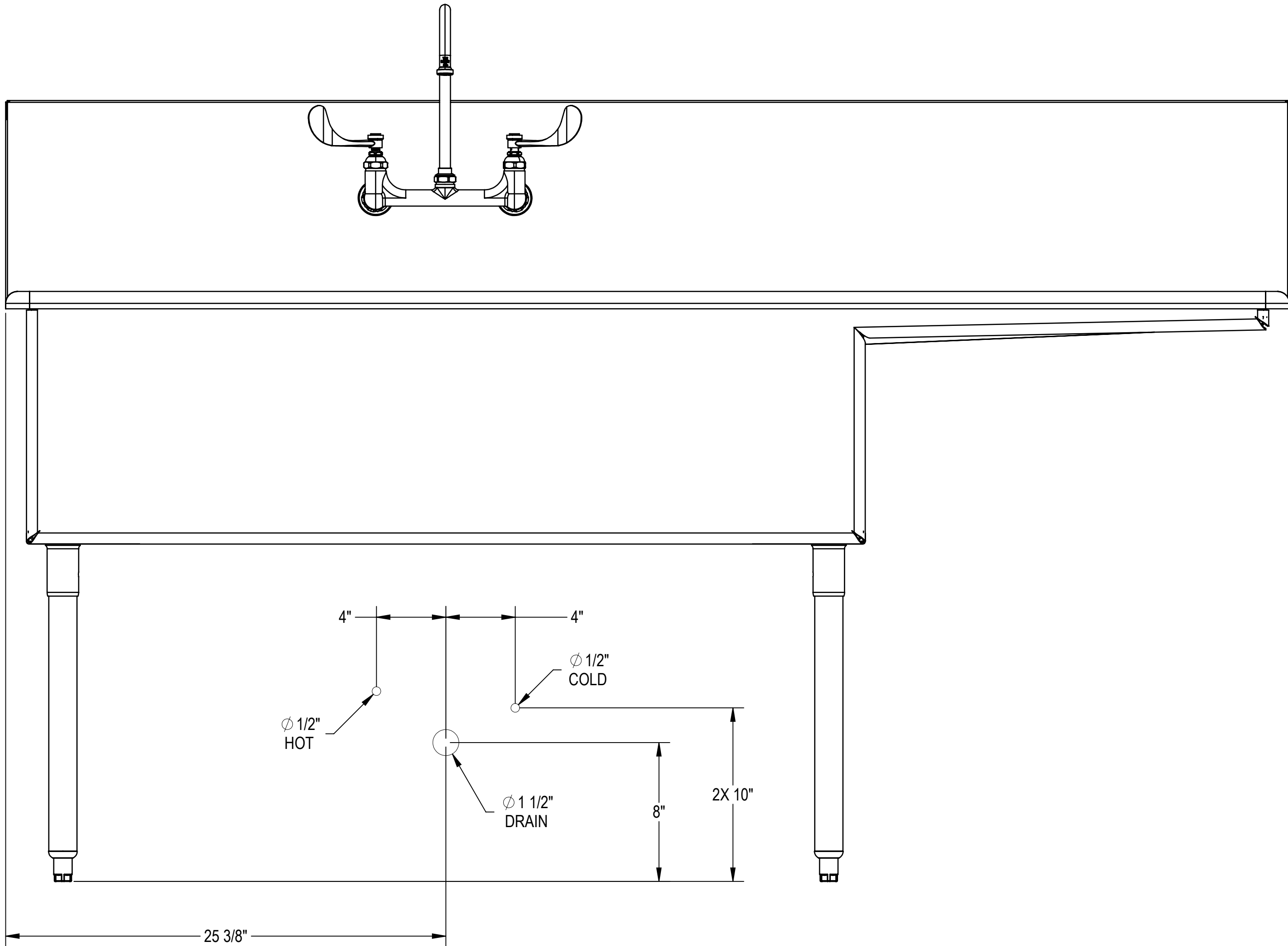
1. APPLICABLE STANDARDS AND SPECIFICATIONS;
ASME Y14.5-2009, DIMENSIONING AND TOLERANCING
ASME Y14.5-2007, ABBREVIATIONS




CUSTOMER		APPROVAL		<p style="text-align: center;">PROPRIETARY</p> <p style="text-align: center;">THIS DOCUMENT AND THE DATE DISCLOSED HEREIN AND HERewith IS NOT TO BE REPRODUCED, USED OR OTHERWISE DISCLOSED IN WHOLE OR IN PART TO ANYONE WITHOUT WRITTEN AUTHORIZATION FROM MORTECH MFG.</p>			 411 North Aerojet Avenue Azusa, CA 91702 tel: (800) 410-0100 (626) 334-1471 fax: (626) 334-1704 www.motechmfg.com	
PROJECT		SIGNATURE					DATE	MODEL MS2448R-24 STAINLESS STEEL SCULLERY SINK, RIGHT DRAINBOARD
					DO NOT SCALE DRAWING	APPROVALS	DATE	SIZE
					MATERIAL	CHECKED BY		DWG NO.
					304 STAINLESS STEEL	D. FRADEJAS	06/21/24	C
					FINISH	APPROVED BY		SCALE
					#4			1:8
							NEXT ASSY.	SHEET
								1 OF 3

UTILITY REQUIREMENT NOTES:

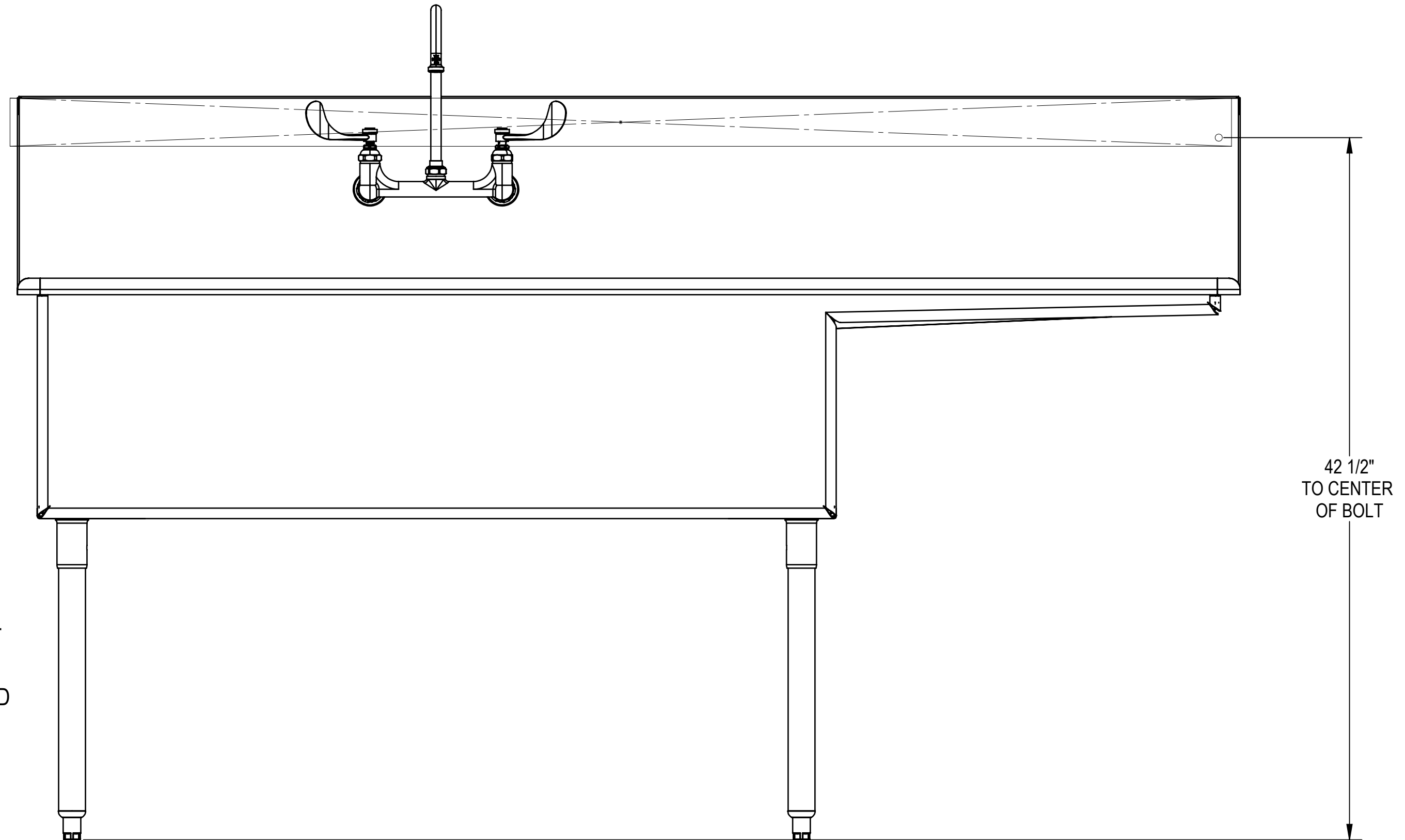
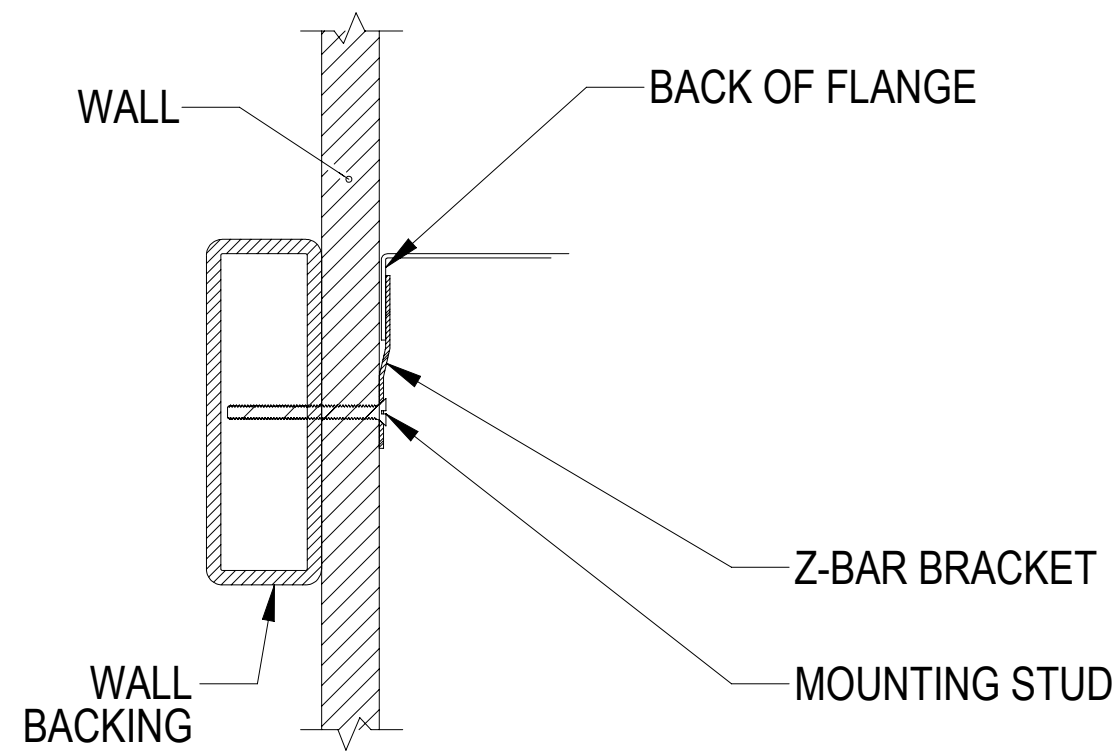
1. FLUSH LINES CLEAR BEFORE CONNECTING TO STATION.
2. PLUMBER TO PROVIDE SHUT-OFF VALVES FOR WATER CONNECTIONS AND P-TRAP FOR DRAIN.



CUSTOMER		APPROVAL		<p style="text-align: center;">PROPRIETARY</p> <p style="text-align: center;">THIS DOCUMENT AND THE DATE DISCLOSED HEREIN AND HEREWITH IS NOT TO BE REPRODUCED, USED, OR OTHERWISE DISCLOSED IN WHOLE OR IN PART TO ANYONE WITHOUT WRITTEN AUTHORIZATION FROM MORTECH MFG.</p>					411 North Aerojet Avenue Azusa, CA 91702 tel: (800) 410-0100 (626) 334-1471 fax: (626) 334-1704 www.mortechmfg.com		
PROJECT		SIGNATURE					DATE		MODEL MS2448R-24		TITLE STAINLESS STEEL SCULLERY SINK, RIGHT DRAINBOARD
				MATERIAL		APPROVALS		DATE		SIZE	
				304 STAINLESS STEEL		D. FRADEJAS		06/21/24		C	
				FINISH		APPROVED BY		SCALE		NEXT ASSY.	
				#4				1:8			
								REV.		X01	
								SHEET		2 OF 3	

WALL MOUNTING NOTES:

1. Z-BAR SHIPPED WITHOUT MOUNTING HOLES FOR ADOPTION TO FIELD CONDITIONS. HOLES TO BE DRILLED BY INSTALLER.
2. INSTALL 7 ANCHORS AT 8 3/4" ON CENTER. FIRST HOLE: 1" IN FROM SIDE OF Z-BAR. Z-BAR LENGTH: 52" LONG. ADDITIONAL ANCHORS CAN BE ADDED AS NEEDED.
3. USE MINIMUM 1/4" TEK SCREWS 2 3/4" LONG. ADJUST LENGTH PER WALL THICKNESS.
4. ANCHORS USED MUST BE FLUSH TO Z-BAR AS MUCH AS POSSIBLE. THEY MUST NOT INTERFERE WITH PLUMBING BEHIND WALL.
5. INSTALLATION IS BASED ON ROUGH-IN MOUNTING DETAIL PROVIDED.



CUSTOMER		APPROVAL		<p style="text-align: center;">PROPRIETARY</p> <p style="text-align: center;">THIS DOCUMENT AND THE DATE DISCLOSED HEREIN AND HEREWITH IS NOT TO BE REPRODUCED, USED, OR OTHERWISE DISCLOSED IN WHOLE OR IN PART TO ANYONE WITHOUT WRITTEN AUTHORIZATION FROM MORTECH MFG.</p>			 411 North Aerojet Avenue Azusa, CA 91702 tel: (800) 410-0100 (626) 334-1471 fax: (626) 334-1704 www.mortechmfg.com		
PROJECT		SIGNATURE					DATE		TITLE MODEL MS2448R-24 STAINLESS STEEL SCULLERY SINK, RIGHT DRAINBOARD
DO NOT SCALE DRAWING				APPROVALS		DATE		SIZE C	
MATERIAL 304 STAINLESS STEEL				DRAWN BY D. FRADEJAS		06/21/24		DWG NO. MS2448R-24AP	
FINISH #4				CHECKED BY		APPROVED BY		REV. X01	
						SCALE 1:8		NEXT ASSY. SHEET 3 OF 3	