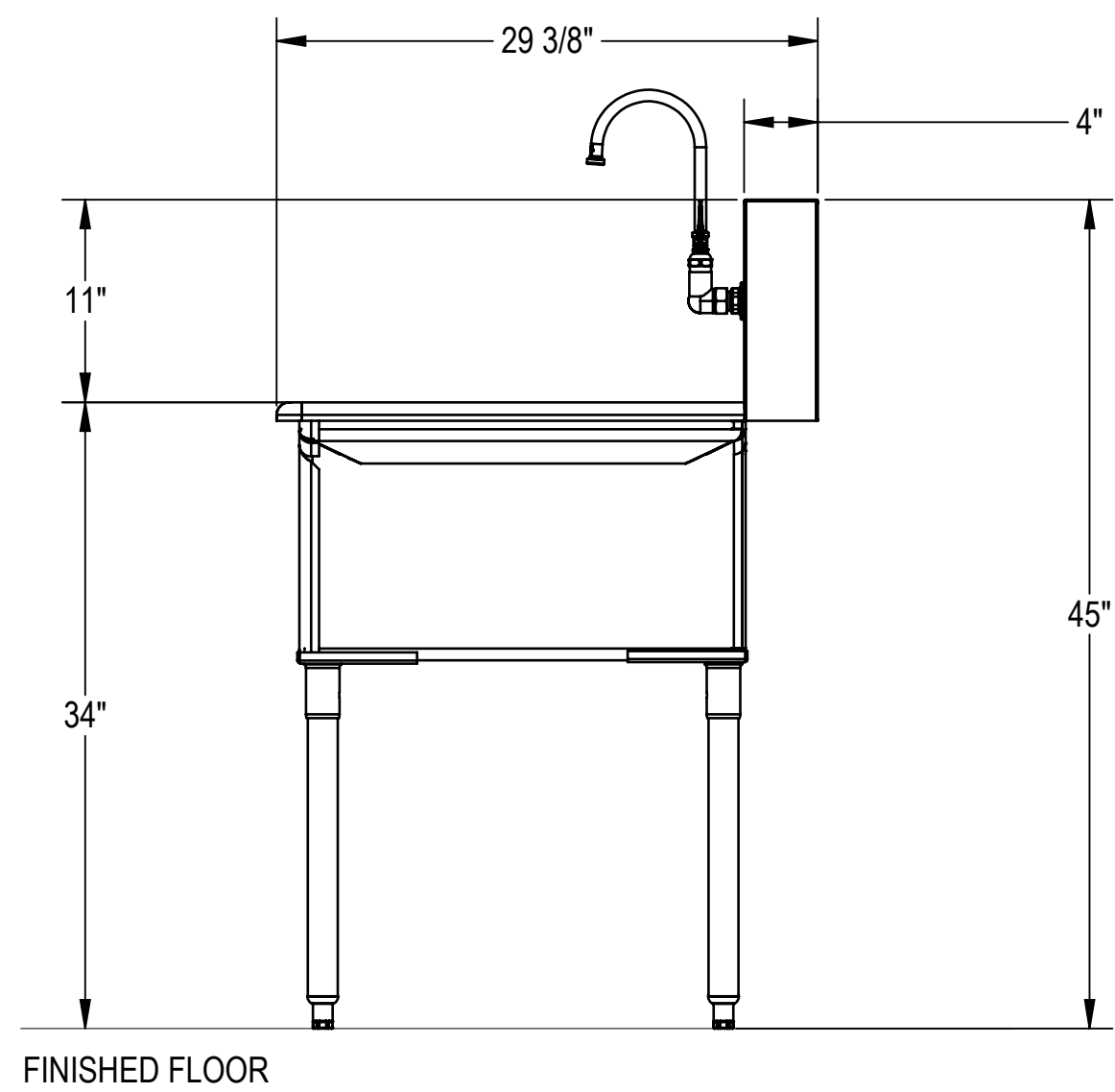
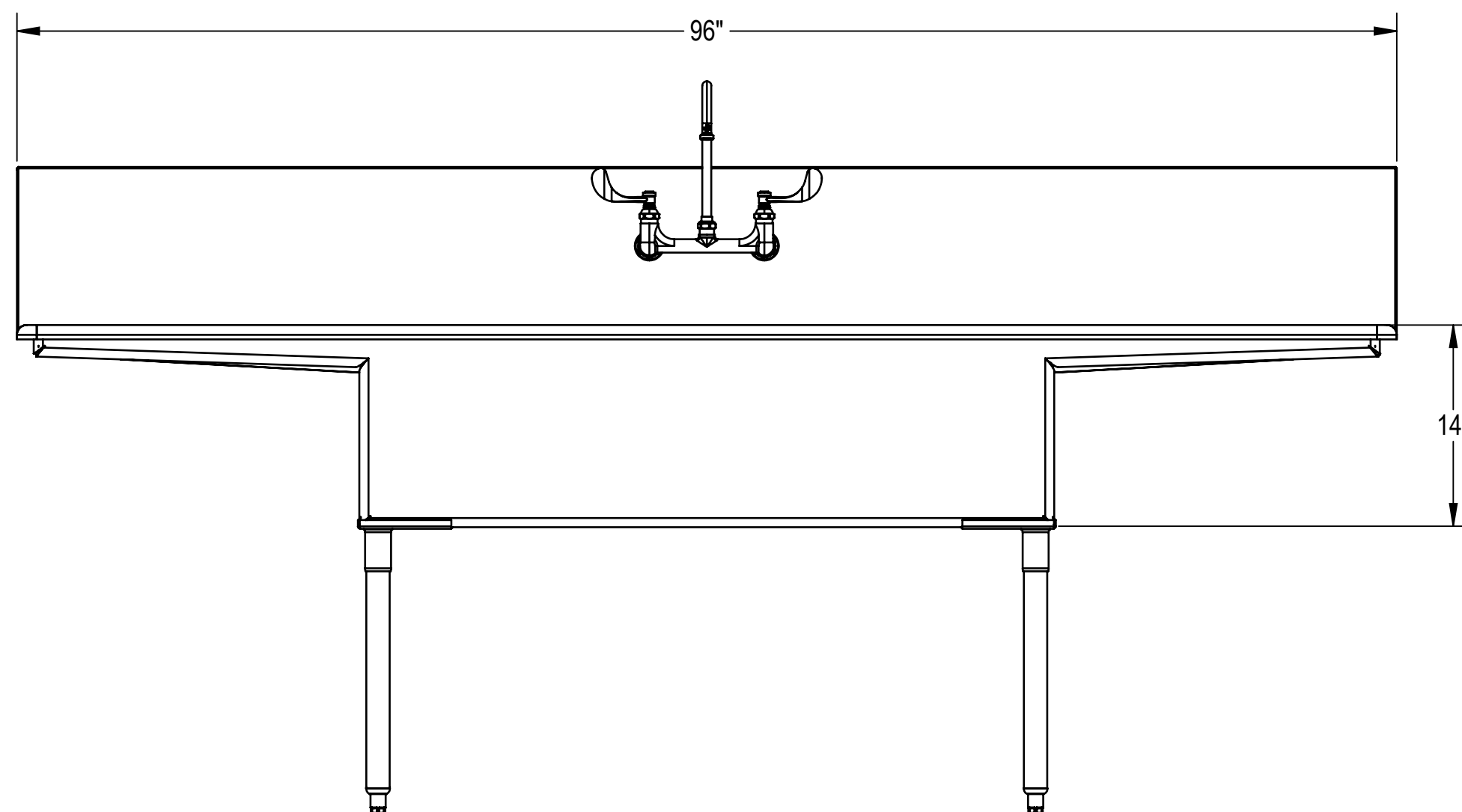
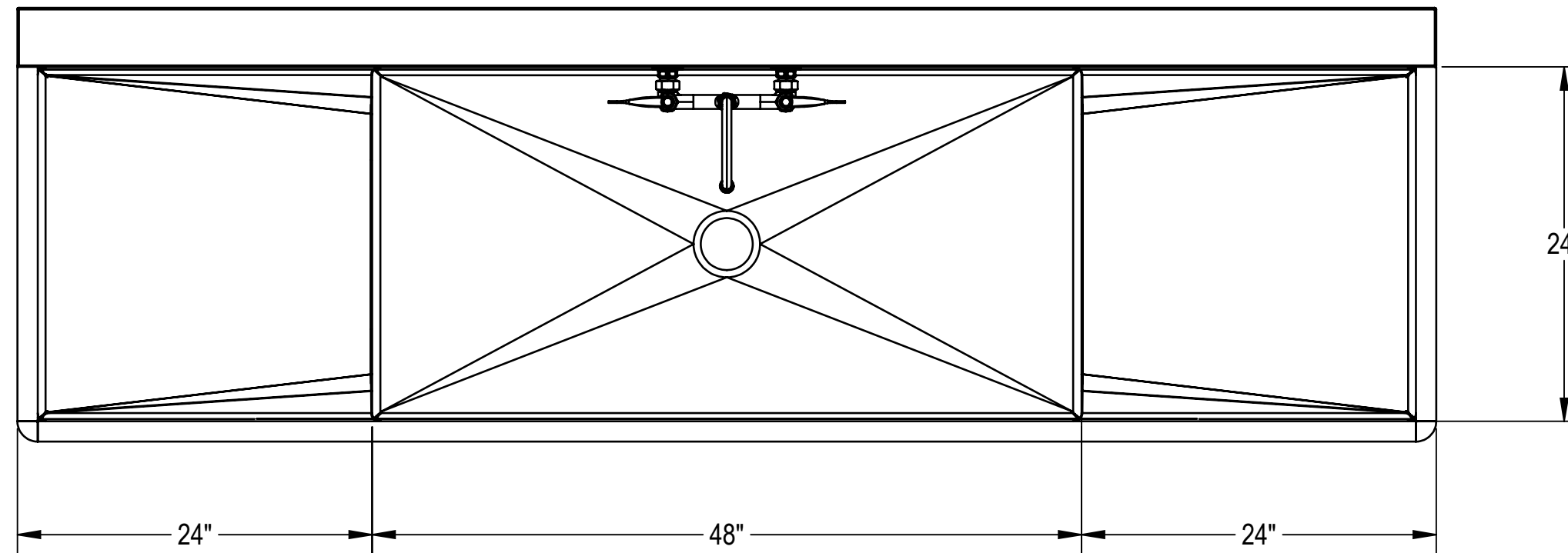
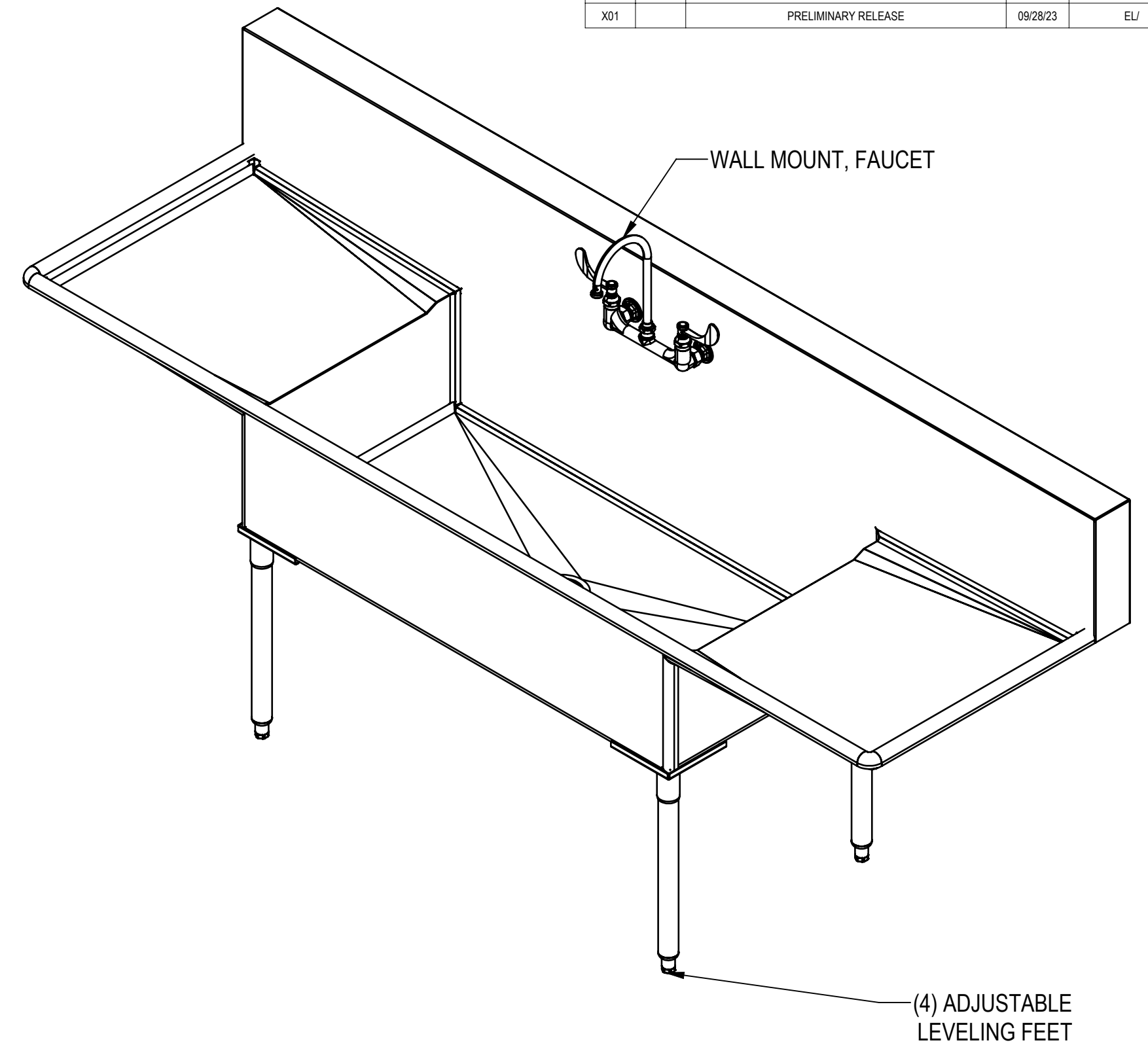


NOTES: UNLESS OTHERWISE SPECIFIED

1. APPLICABLE STANDARDS AND SPECIFICATIONS;
ASME Y14.5-2009, DIMENSIONING AND TOLERANCING
ASME Y14.5-2007, ABBREVIATIONS.

REVISIONS				
REV.	DCN#	DESCRIPTION	DATE	CHANGED/APPROVED
X01		PRELIMINARY RELEASE	09/28/23	EL/

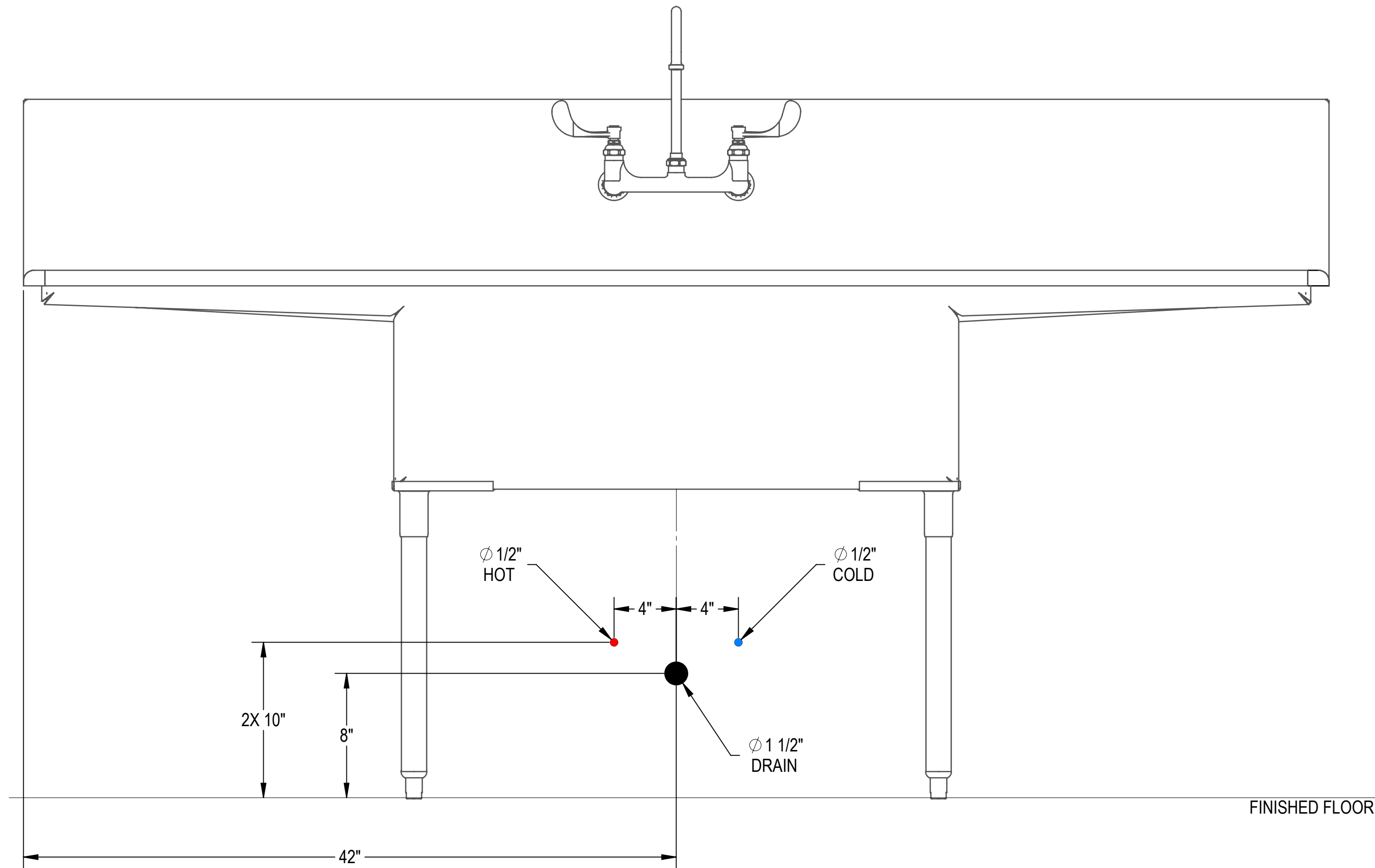


CUSTOMER		APPROVAL		<p>PROPRIETARY</p> <p>THIS DOCUMENT AND THE DATE DISCLOSED HEREIN AND HEREWITH IS NOT TO BE REPRODUCED, USED, OR OTHERWISE DISCLOSED IN WHOLE OR IN PART TO ANYONE WITHOUT WRITTEN AUTHORIZATION FROM MORTECH MFG.</p>			<p>MOPEC GROUP</p> <p>411 North Aerojet Avenue Azusa, CA 91702 tel: (800) 410-0100 (626) 334-1471 fax: (626) 334-1704 www.mortechmfg.com</p>							
PROJECT		SIGNATURE					DATE		<p>ISO 9001:2015 CERTIFIED COMPANY</p> <p>MODEL MS2448LR-24</p> <p>STAINLESS STEEL SCULLERY SINK, DUAL DRAINBOARDS</p>					
						<p>DO NOT SCALE DRAWING</p> <p>MATERIAL: 304 STAINLESS STEEL</p> <p>FINISH: #4</p>			<p>APPROVALS</p> <p>DRAWN BY: EDWIN L.</p> <p>CHECKED BY:</p> <p>APPROVED BY:</p>			<p>DATE: 9/28/2023</p>		
						<p>TITLE: MODEL MS2448LR-24</p> <p>SIZE: C</p> <p>SCALE: 1:10</p>			<p>DWG NO.: MS2448LR-24AP</p> <p>REV. X01</p> <p>SHEET 1 OF 3</p>					

UTILITY REQUIREMENT NOTES:

1. FLUSH LINES CLEAR BEFORE CONNECTING TO STATION.
2. PLUMBER TO PROVIDE SHUT-OFF VALVES FOR WATER CONNECTIONS AND P-TRAP FOR DRAIN.

REVISIONS				
REV.	DCN#	DESCRIPTION	DATE	CHANGED/APPROVED
-	-	See Sheet1	-	-

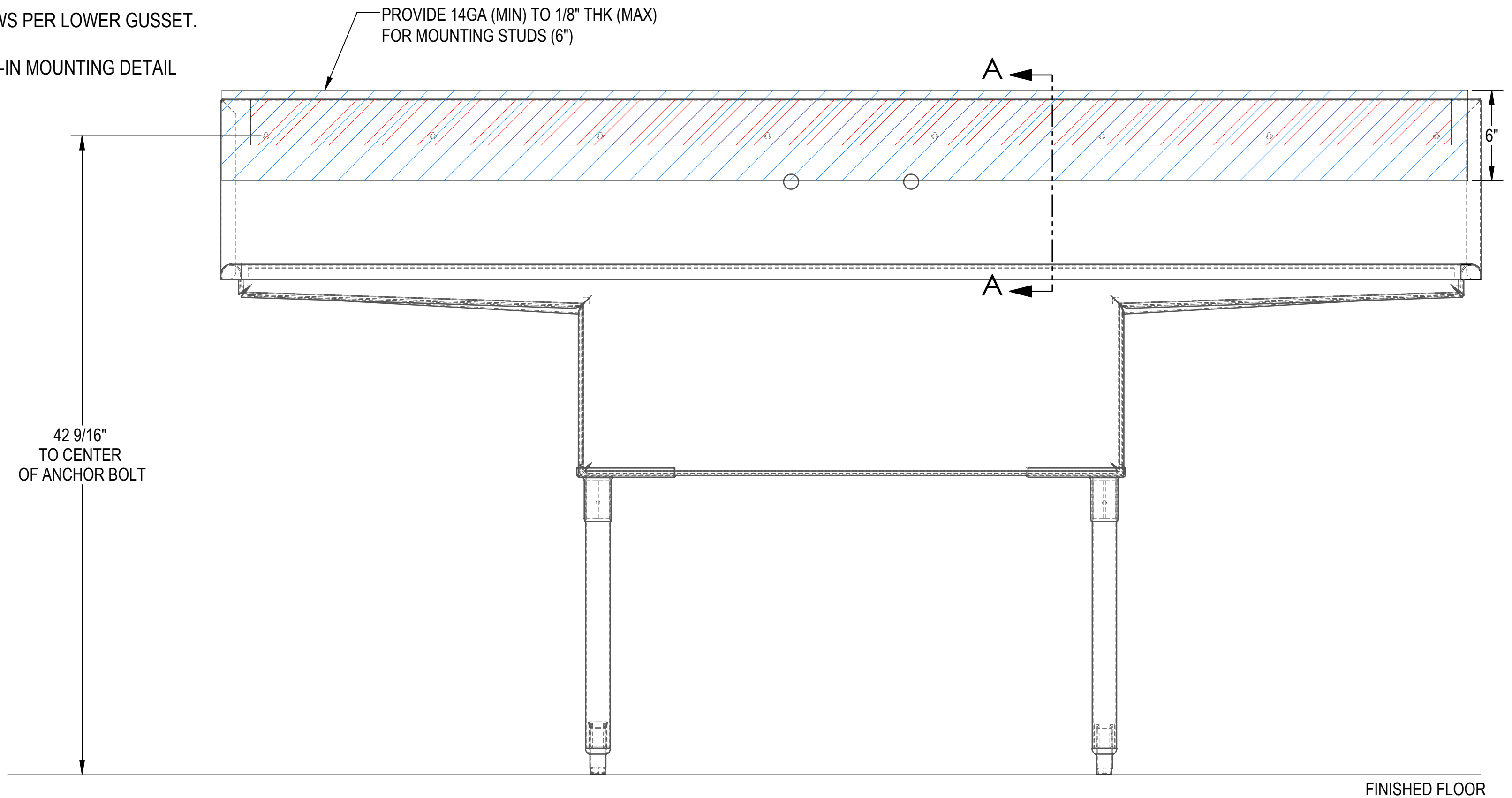
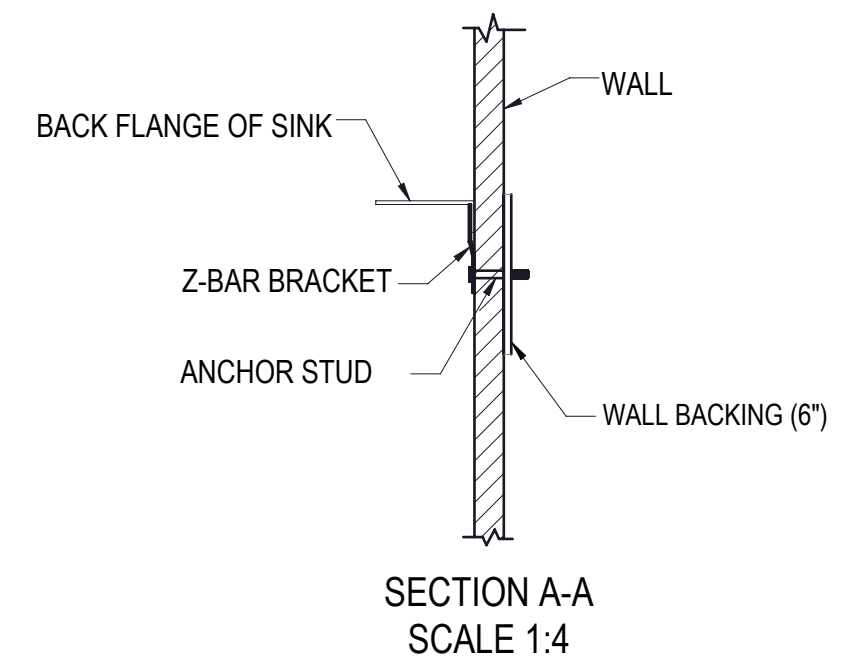


CUSTOMER		APPROVAL		<p style="text-align: center;">PROPRIETARY</p> <p style="text-align: center;">THIS DOCUMENT AND THE DATE DISCLOSED HEREIN AND HEREWITH IS NOT TO BE REPRODUCED, USED, OR OTHERWISE DISCLOSED IN WHOLE OR IN PART TO ANYONE WITHOUT WRITTEN AUTHORIZATION FROM MORTECH MFG.</p>					411 North Aerojet Avenue Azusa, CA 91702 tel: (800) 410-0100 (626) 334-1471 fax: (626) 334-1704 www.mortechmfg.com		
PROJECT		SIGNATURE					DATE		ISO 9001:2015 CERTIFIED COMPANY MODEL MS2448LR-24 STAINLESS STEEL SCULLERY SINK, DUAL DRAINBOARDS ROUGH-INS		TITLE DWG NO. MS2448LR-24AP
				DO NOT SCALE DRAWING		APPROVALS		DATE		SIZE C	
				MATERIAL 304 STAINLESS STEEL		DRAWN BY EDWIN L.		9/28/2023		SCALE 1:6	
				FINISH #4		CHECKED BY		APPROVED BY		NEXT ASSY.	
										SHEET 2 OF 3	

WALL MOUNTING NOTES:

1. Z-BAR SHIPPED WITHOUT MOUNTING HOLES FOR ADOPTION TO FIELD CONDITIONS. HOLES TO BE DRILLED BY INSTALLER.
2. INSTALL 8 ANCHORS AT 9 5/8" ON CENTER. FIRST HOLE: 1" IN FROM SIDE OF Z-BAR. Z-BAR LENGTH: 75" LONG. ADDITIONAL ANCHORS CAN BE ADDED AS NEEDED.
3. USE MINIMUM 1/4" TEK SCREWS 2 3/4" LONG. ADJUST LENGTH PER WALL THICKNESS.
4. ANCHORS USED MUST BE FLUSH TO Z-BAR AS MUCH AS POSSIBLE. THEY MUST NOT INTERFERE WITH PLUMBING BEHIND WALL.
5. THE LOWER ANCHORS ARE USED TO KEEP THE BOTTOM OF THE SINK FROM PULLING AWAY FROM THE WALL. THE Z-BAR HOLDS THE WEIGHT OF THE SINK.
6. USE MINIMUM OF (2) 1/4" TEK SCREWS PER LOWER GUSSET.
7. INSTALLATION IS BASED ON ROUGH-IN MOUNTING DETAIL PROVIDED.

REVISIONS				
REV.	DCN#	DESCRIPTION	DATE	CHANGED/APPROVED
-	-	See Sheet1	-	-



CUSTOMER		APPROVAL		<p align="center">PROPRIETARY</p> <p align="center">THIS DOCUMENT AND THE DATE DISCLOSED HEREIN AND HEREWITH IS NOT TO BE REPRODUCED, USED, OR OTHERWISE DISCLOSED IN WHOLE OR IN PART TO ANYONE WITHOUT WRITTEN AUTHORIZATION FROM MORTECH MFG.</p>			<p align="center">MOPEC GROUP</p> <p align="center">411 North Aerojet Avenue Azusa, CA 91702 tel: (800) 410-0100 (626) 334-1471 fax: (626) 334-1704 www.mortechmfg.com</p>				
PROJECT		SIGNATURE		DATE		<p>DO NOT SCALE DRAWING</p> <p>MATERIAL: 304 STAINLESS STEEL</p> <p>FINISH: #4</p>			<p>APPROVALS</p> <p>DRAWN BY: EDWIN L.</p> <p>CHECKED BY:</p> <p>APPROVED BY:</p>		
						<p>DATE: 9/28/2023</p>			<p>TITLE: MODEL MS2448LR-24</p> <p>STAINLESS STEEL SCULLERY SINK, DUAL DRAINBOARDS WALL-MOUNTING</p>		
						<p>SIZE: C</p> <p>SCALE: 1:6</p>			<p>DWG NO.: MS2448LR-24AP</p> <p>REV.: X01</p>		
						<p>NEXT ASSY.:</p>			<p>SHEET 3 OF 3</p>		