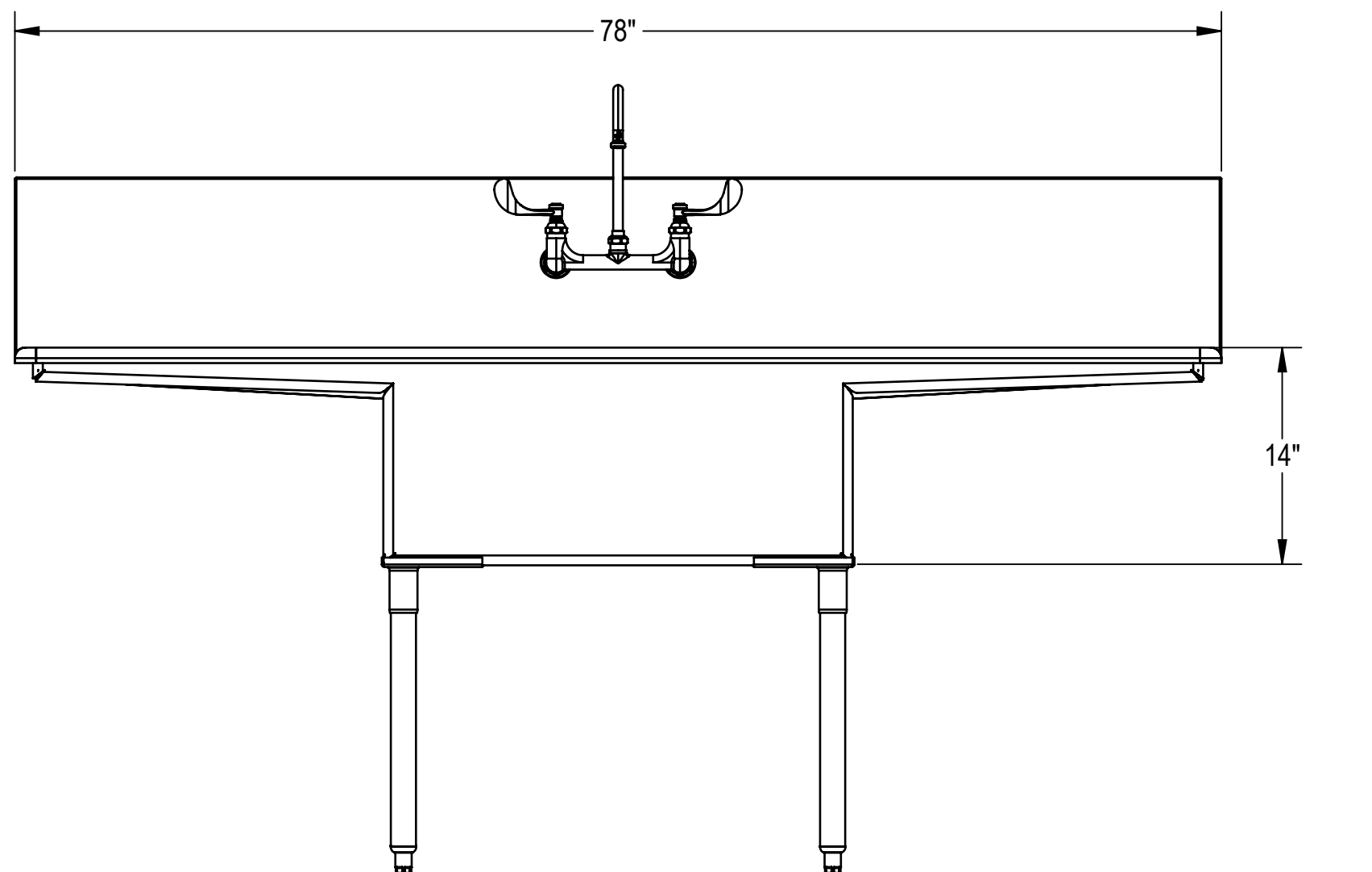
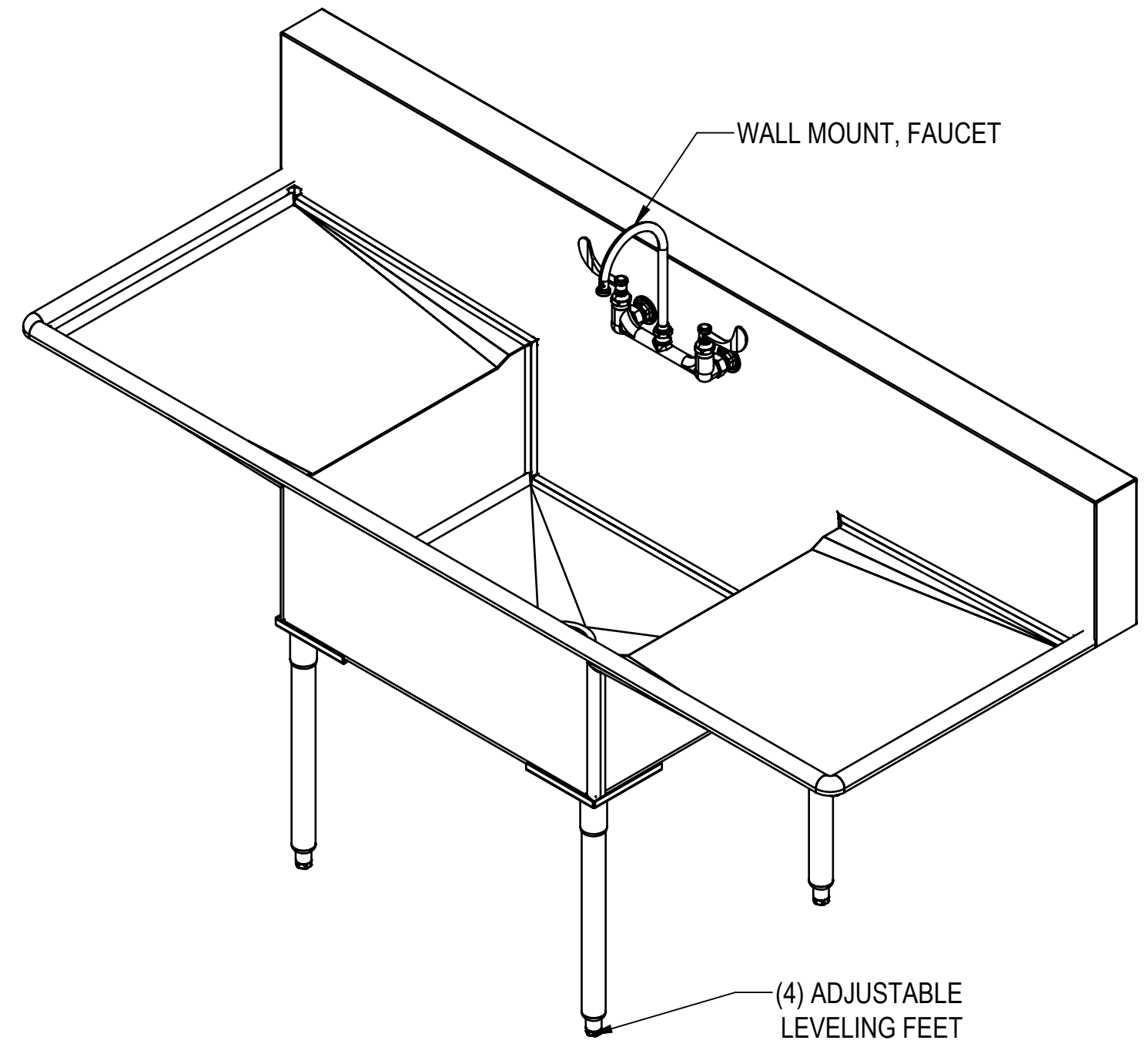
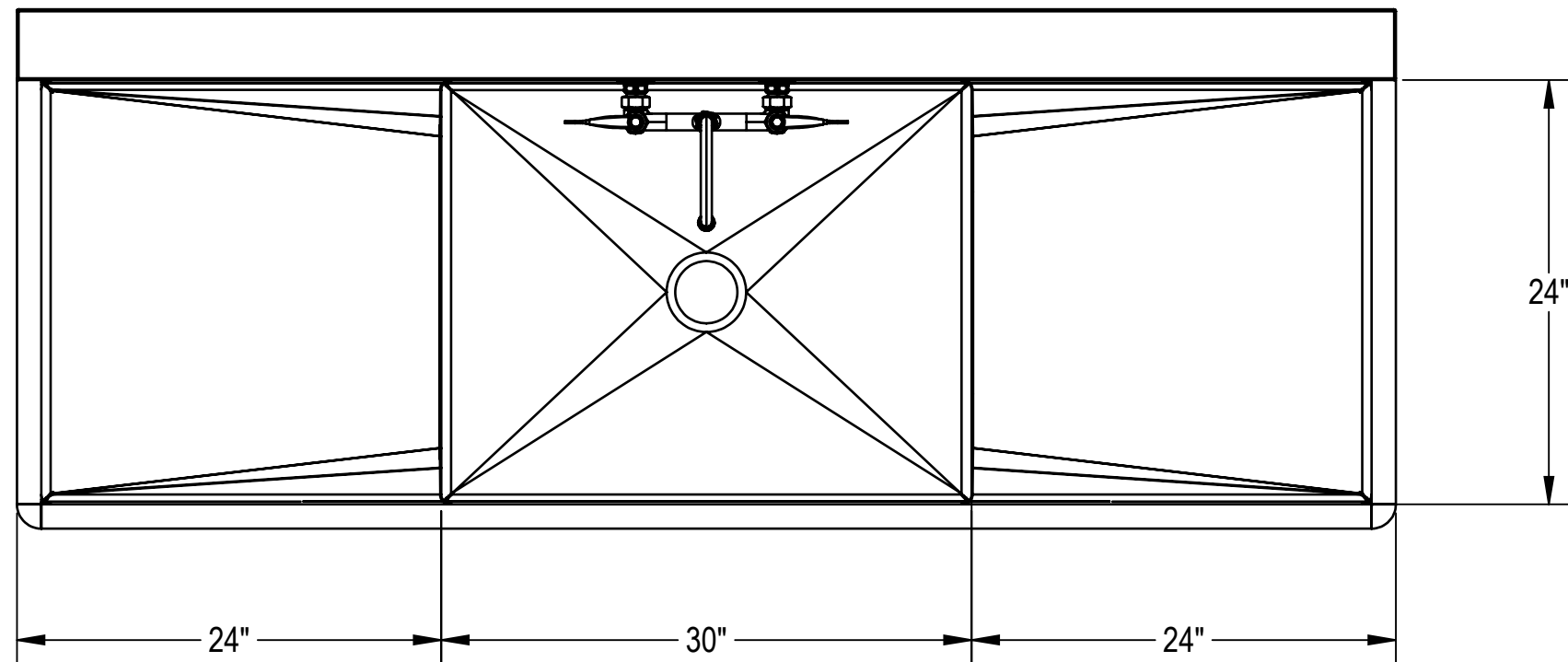


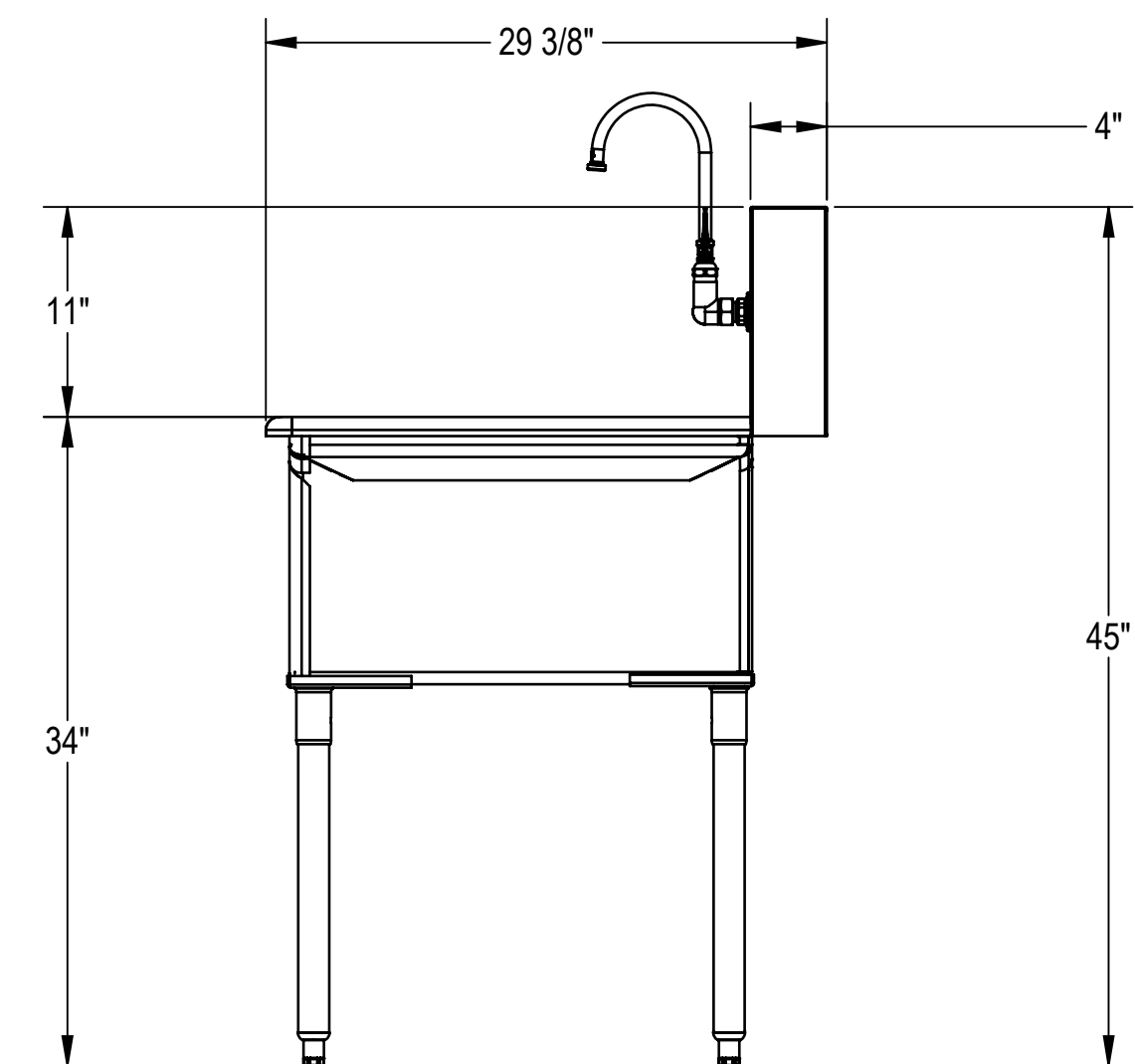
**NOTES: UNLESS OTHERWISE SPECIFIED**

1. APPLICABLE STANDARDS AND SPECIFICATIONS;  
ASME Y14.5-2009, DIMENSIONING AND TOLERANCING  
ASME Y14.5-2007, ABBREVIATIONS.

REV.		DCN#	DESCRIPTION	DATE	CHANGED/APPROVED
X01			PRELIMINARY RELEASE	09/28/23	EL/



FINISHED FLOOR



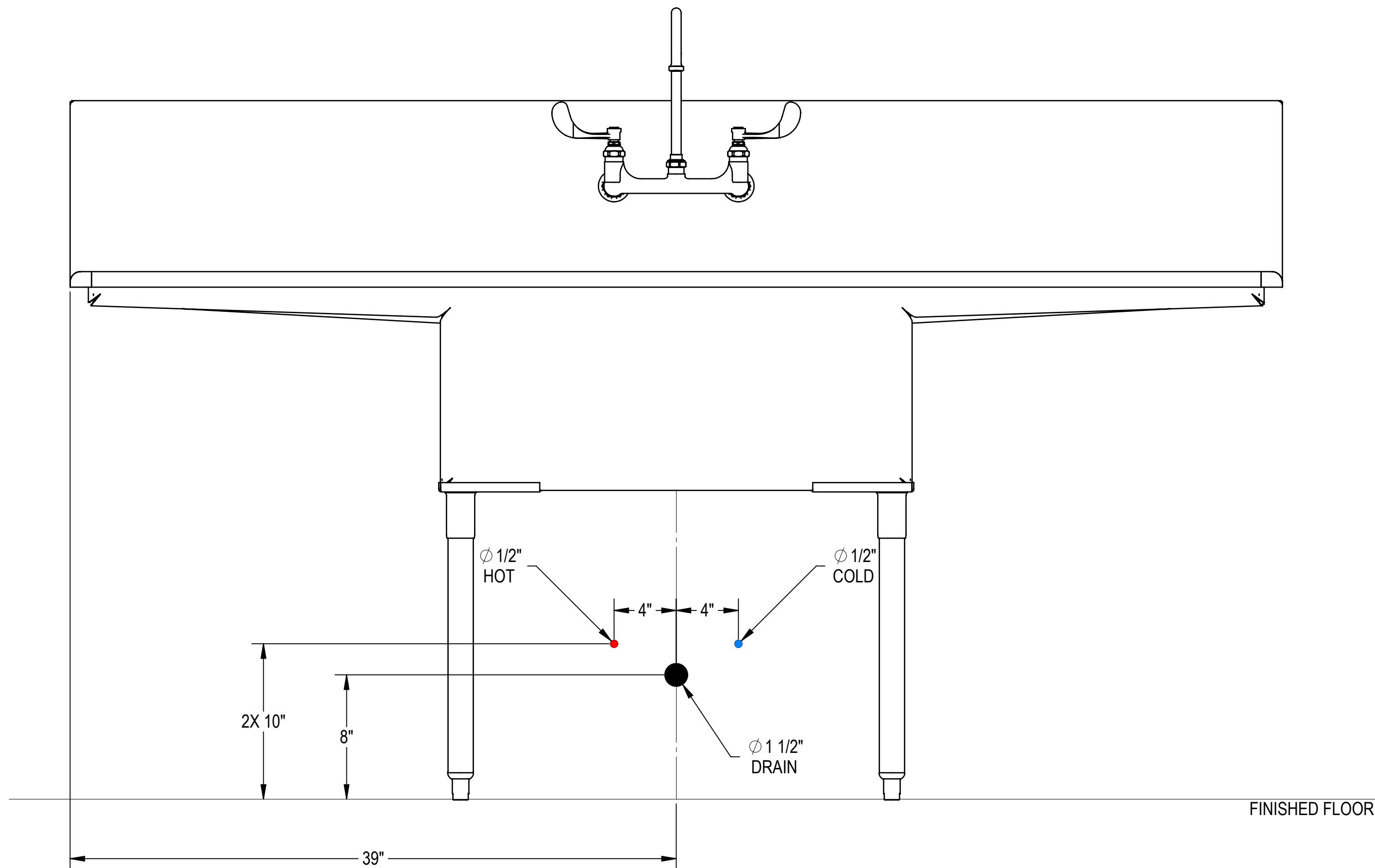
FINISHED FLOOR

CUSTOMER		APPROVAL		<p align="center"><b>PROPRIETARY</b></p> <p align="center">THIS DOCUMENT AND THE DATE DISCLOSED HEREIN AND HEREWITH IS NOT TO BE REPRODUCED, USED, OR OTHERWISE DISCLOSED IN WHOLE OR IN PART TO ANYONE WITHOUT WRITTEN AUTHORIZATION FROM MORTECH MFG.</p>			<p align="center"><b>MOPEC GROUP</b></p> <p align="center">411 North Aerojet Avenue Azusa, CA 91702 tel: (800) 410-0100 (626) 334-1471 fax: (626) 334-1704 www.mortechmfg.com</p>			
PROJECT		SIGNATURE					DATE		<p align="center">ISO 9001:2015 CERTIFIED COMPANY</p>	
DO NOT SCALE DRAWING				APPROVALS		DATE		<p align="center"><b>MODEL MS2430LR-24</b></p> <p align="center">STAINLESS STEEL SCULLERY SINK, DUAL DRAINBOARDS</p>		
MATERIAL		DRAWN BY		CHECKED BY		DATE		<p align="center">SIZE <b>C</b> DWG NO. <b>MS2430LR-24AP</b> REV. <b>X01</b></p>		
FINISH		APPROVED BY						<p align="center">SCALE 1:10 NEXT ASSY. SHEET 1 OF 3</p>		
#4										

**UTILITY REQUIREMENT NOTES:**

1. FLUSH LINES CLEAR BEFORE CONNECTING TO STATION.
2. PLUMBER TO PROVIDE SHUT-OFF VALVES FOR WATER CONNECTIONS AND P-TRAP FOR DRAIN.

REVISIONS				
REV.	DCN#	DESCRIPTION	DATE	CHANGED/APPROVED
-	-	See Sheet1	-	-

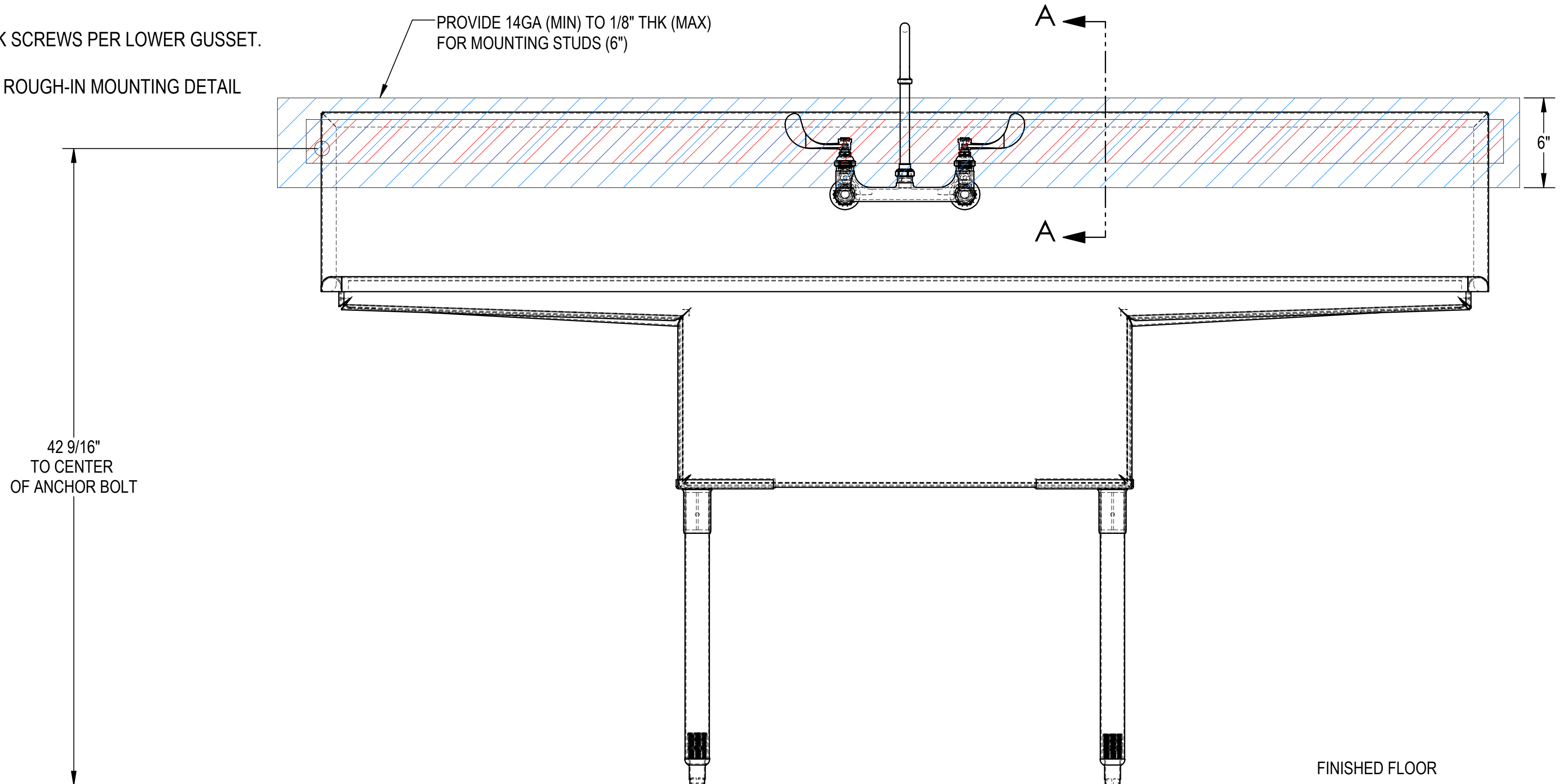
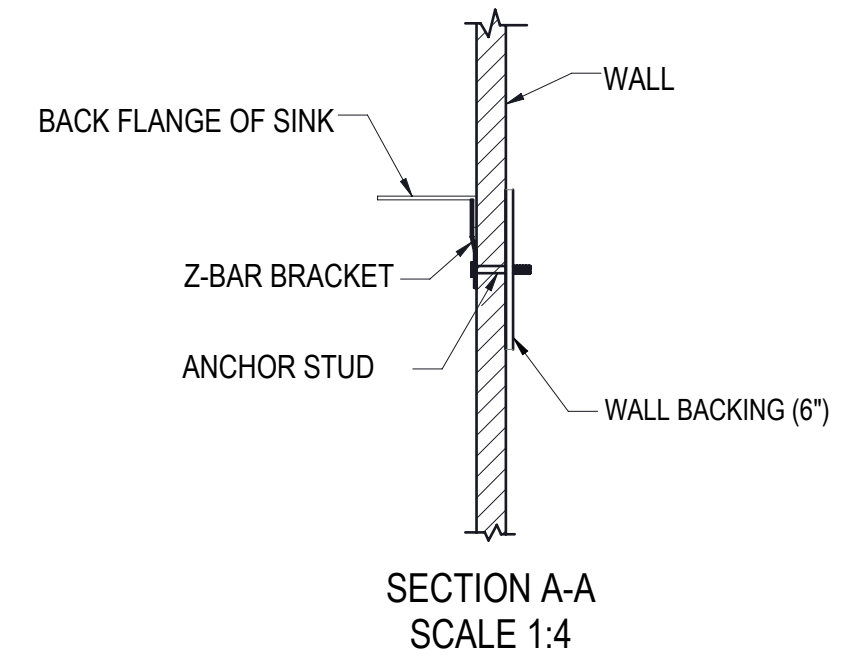


CUSTOMER		APPROVAL		<p style="text-align: center;"><b>PROPRIETARY</b></p> <p style="text-align: center;">THIS DOCUMENT AND THE DATE DISCLOSED HEREIN AND HEREWITH IS NOT TO BE REPRODUCED, USED, OR OTHERWISE DISCLOSED IN WHOLE OR IN PART TO ANYONE WITHOUT WRITTEN AUTHORIZATION FROM MORTECH MFG.</p>					411 North Aerojet Avenue Azusa, CA 91702 tel: (800) 410-0100 (626) 334-1471 fax: (626) 334-1704 www.mortechmfg.com		
PROJECT		SIGNATURE					DATE		ISO 9001:2015 CERTIFIED COMPANY <b>MODEL MS2430LR-24</b> STAINLESS STEEL SCULLERY SINK, DUAL DRAINBOARDS ROUGH-INS		TITLE
						DO NOT SCALE DRAWING		APPROVALS		DATE	
						MATERIAL <b>304 STAINLESS STEEL</b>		DRAWN BY EDWIN L.		9/28/2023	
						FINISH #4		CHECKED BY		DWG NO. <b>MS2430LR-24AP</b>	
						APPROVED BY		SCALE 1:6		REV. <b>X01</b>	
								NEXT ASSY.		SHEET 2 OF 3	

**WALL MOUNTING NOTES:**

1. Z-BAR SHIPPED WITHOUT MOUNTING HOLES FOR ADOPTION TO FIELD CONDITIONS. HOLES TO BE DRILLED BY INSTALLER.
2. INSTALL 8 ANCHORS AT 9 5/8" ON CENTER. FIRST HOLE: 1" IN FROM SIDE OF Z-BAR. Z-BAR LENGTH: 75" LONG. ADDITIONAL ANCHORS CAN BE ADDED AS NEEDED.
3. USE MINIMUM 1/4" TEK SCREWS 2 3/4" LONG. ADJUST LENGTH PER WALL THICKNESS.
4. ANCHORS USED MUST BE FLUSH TO Z-BAR AS MUCH AS POSSIBLE. THEY MUST NOT INTERFERE WITH PLUMBING BEHIND WALL.
5. THE LOWER ANCHORS ARE USED TO KEEP THE BOTTOM OF THE SINK FROM PULLING AWAY FROM THE WALL. THE Z-BAR HOLDS THE WEIGHT OF THE SINK.
6. USE MINIMUM OF (2) 1/4" TEK SCREWS PER LOWER GUSSET.
7. INSTALLATION IS BASED ON ROUGH-IN MOUNTING DETAIL PROVIDED.

REVISIONS				
REV.	DCN#	DESCRIPTION	DATE	CHANGED/APPROVED
-	-	See Sheet1	-	-



CUSTOMER		APPROVAL		<p align="center"><b>PROPRIETARY</b></p> <p align="center">THIS DOCUMENT AND THE DATE DISCLOSED HEREIN AND HEREWITH IS NOT TO BE REPRODUCED, USED, OR OTHERWISE DISCLOSED IN WHOLE OR IN PART TO ANYONE WITHOUT WRITTEN AUTHORIZATION FROM MORTECH MFG.</p>			<p align="center"><b>MOPEC GROUP</b></p> <p align="center">411 North Aerojet Avenue Azusa, CA 91702 tel: (800) 410-0100 (626) 334-1471 fax: (626) 334-1704 www.mortechmfg.com</p>												
PROJECT		SIGNATURE		DATE		<p align="center">DO NOT SCALE DRAWING</p> <table border="1"> <tr> <th>APPROVALS</th> <th>DATE</th> </tr> <tr> <td>EDWIN L.</td> <td>9/28/2023</td> </tr> <tr> <td>CHECKED BY</td> <td></td> </tr> <tr> <td>APPROVED BY</td> <td></td> </tr> </table>			APPROVALS	DATE	EDWIN L.	9/28/2023	CHECKED BY		APPROVED BY		<p align="center">TITLE</p> <p align="center"><b>MODEL MS2430LR-24</b></p> <p align="center">STAINLESS STEEL SCULLERY SINK, DUAL DRAINBOARDS WALL-MOUNTING</p>		
APPROVALS	DATE																		
EDWIN L.	9/28/2023																		
CHECKED BY																			
APPROVED BY																			
						<p align="center">MATERIAL</p> <p align="center"><b>304 STAINLESS STEEL</b></p>			<p align="center">SIZE</p> <p align="center"><b>C</b></p>										
						<p align="center">FINISH</p> <p align="center"><b>#4</b></p>			<p align="center">DWG NO.</p> <p align="center"><b>MS2430LR-24AP</b></p>										
						<p align="center">SCALE</p> <p align="center"><b>1:6</b></p>			<p align="center">REV.</p> <p align="center"><b>X01</b></p>										
						<p align="center">NEXT ASSY.</p>			<p align="center">SHEET</p> <p align="center"><b>3 OF 3</b></p>										