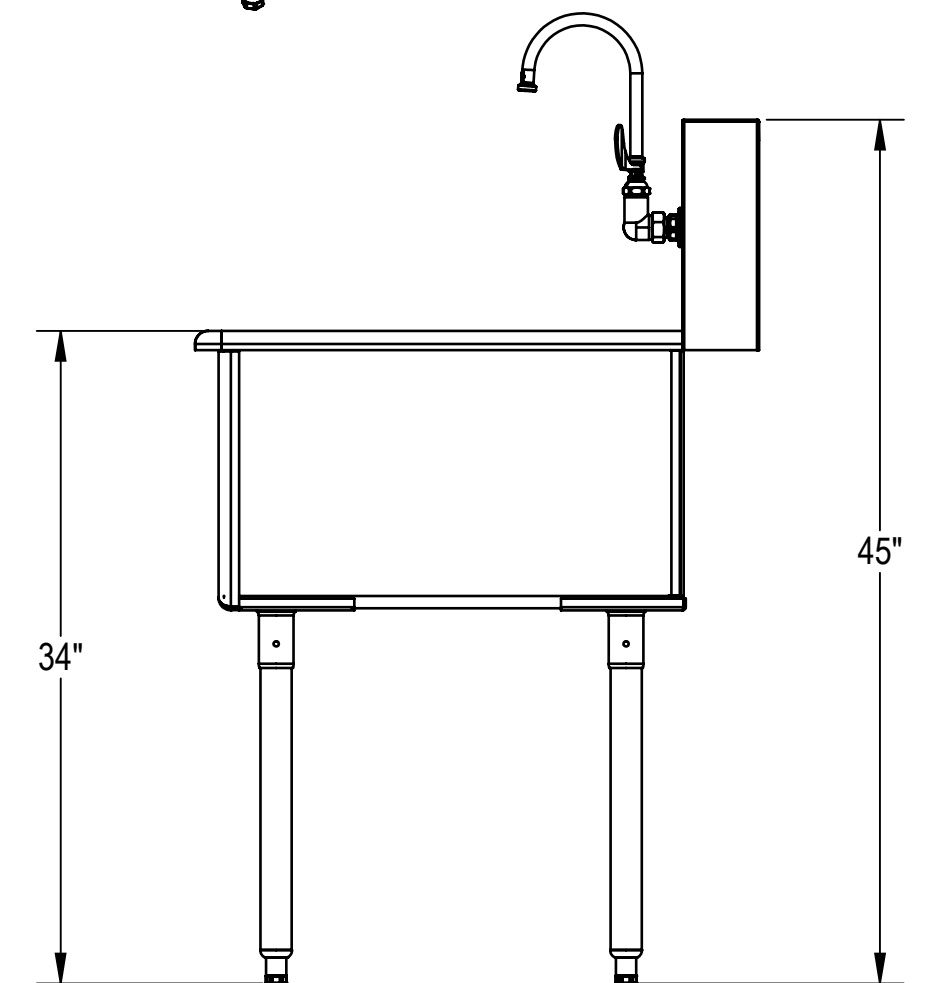
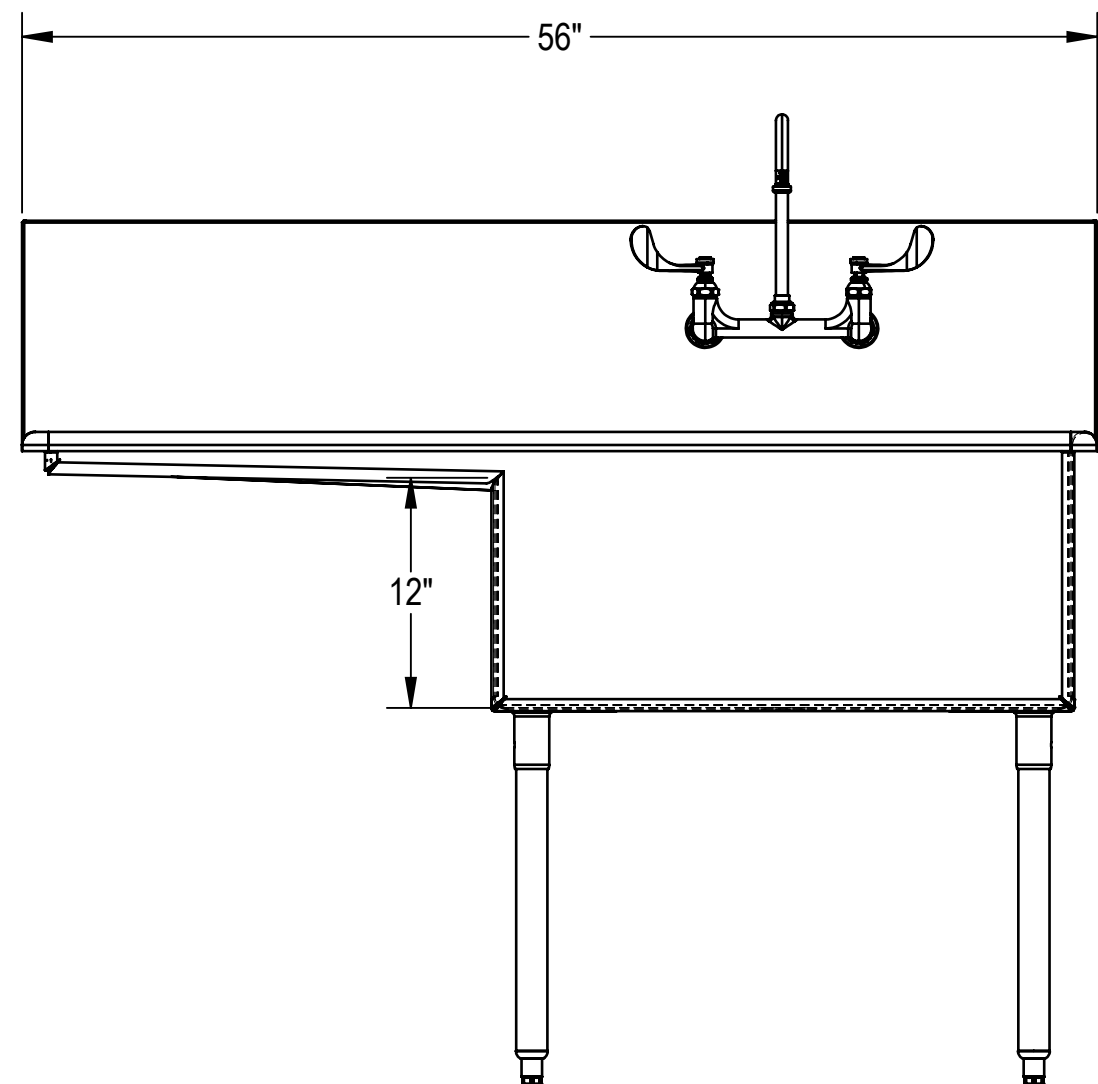
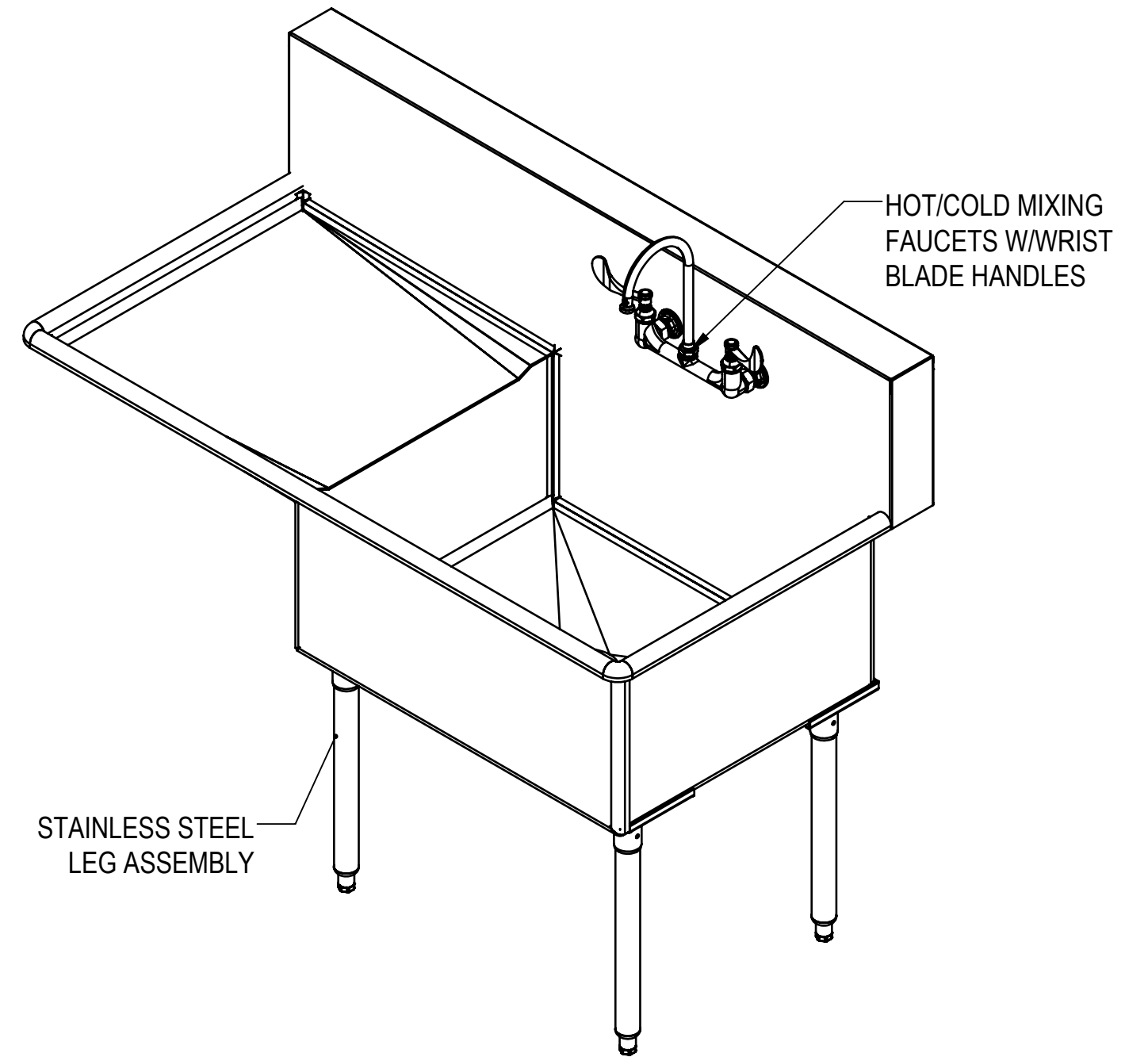
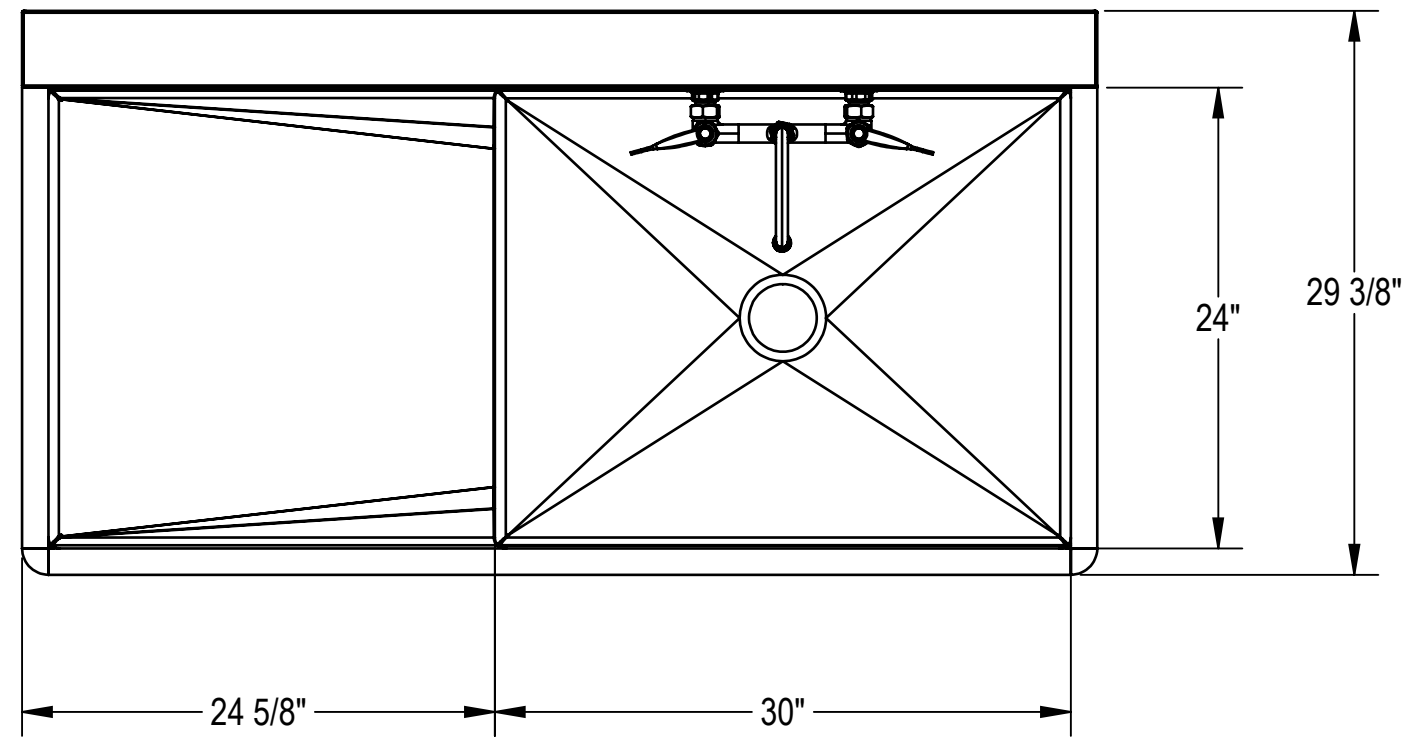


NOTES: UNLESS OTHERWISE SPECIFIED

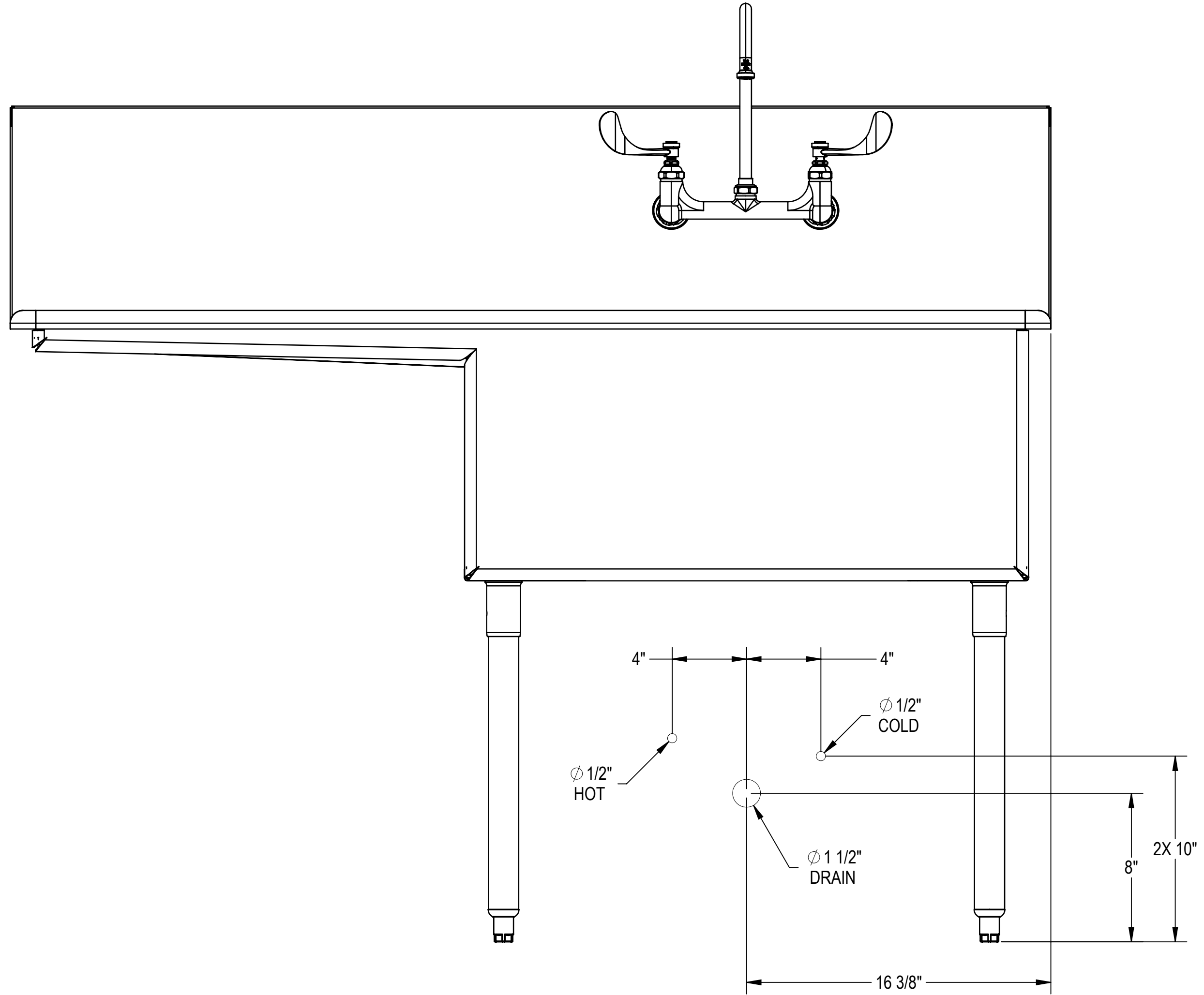
1. APPLICABLE STANDARDS AND SPECIFICATIONS;
ASME Y14.5-2009, DIMENSIONING AND TOLERANCING
ASME Y14.5-2007, ABBREVIATIONS



CUSTOMER		APPROVAL		<p style="text-align: center;">PROPRIETARY</p> <p style="text-align: center;">THIS DOCUMENT AND THE DATE DISCLOSED HEREIN AND HEREWITH IS NOT TO BE REPRODUCED, USED OR OTHERWISE DISCLOSED IN WHOLE OR IN PART TO ANYONE WITHOUT WRITTEN AUTHORIZATION FROM MORTECH MFG.</p>					411 North Aerojet Avenue Azusa, CA 91702 tel: (800) 410-0100 (626) 334-1471 fax: (626) 334-1704 www.mortechmfg.com	
PROJECT		SIGNATURE					DATE	DO NOT SCALE DRAWING	APPROVALS	DATE
					MATERIAL	CHECKED BY		MODEL MS2430L-24		REV.
					304 STAINLESS STEEL	D. FRADEJAS	06/21/24	STAINLESS STEEL SCULLERY SINK, LEFT DRAINBOARD		X01
					FINISH	APPROVED BY		C	MS2430L-24AP	
					#4			SCALE	1:8	NEXT ASSY.
								SHEET	1	OF 3

UTILITY REQUIREMENT NOTES:

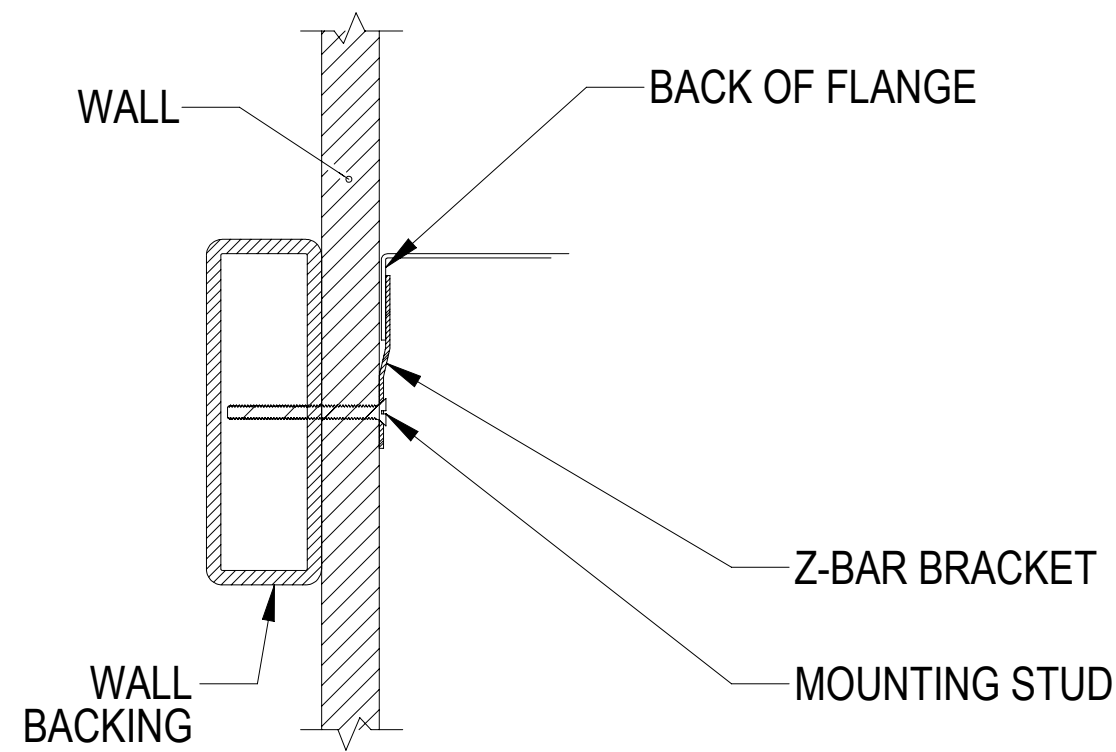
1. FLUSH LINES CLEAR BEFORE CONNECTING TO STATION.
2. PLUMBER TO PROVIDE SHUT-OFF VALVES FOR WATER CONNECTIONS AND P-TRAP FOR DRAIN.



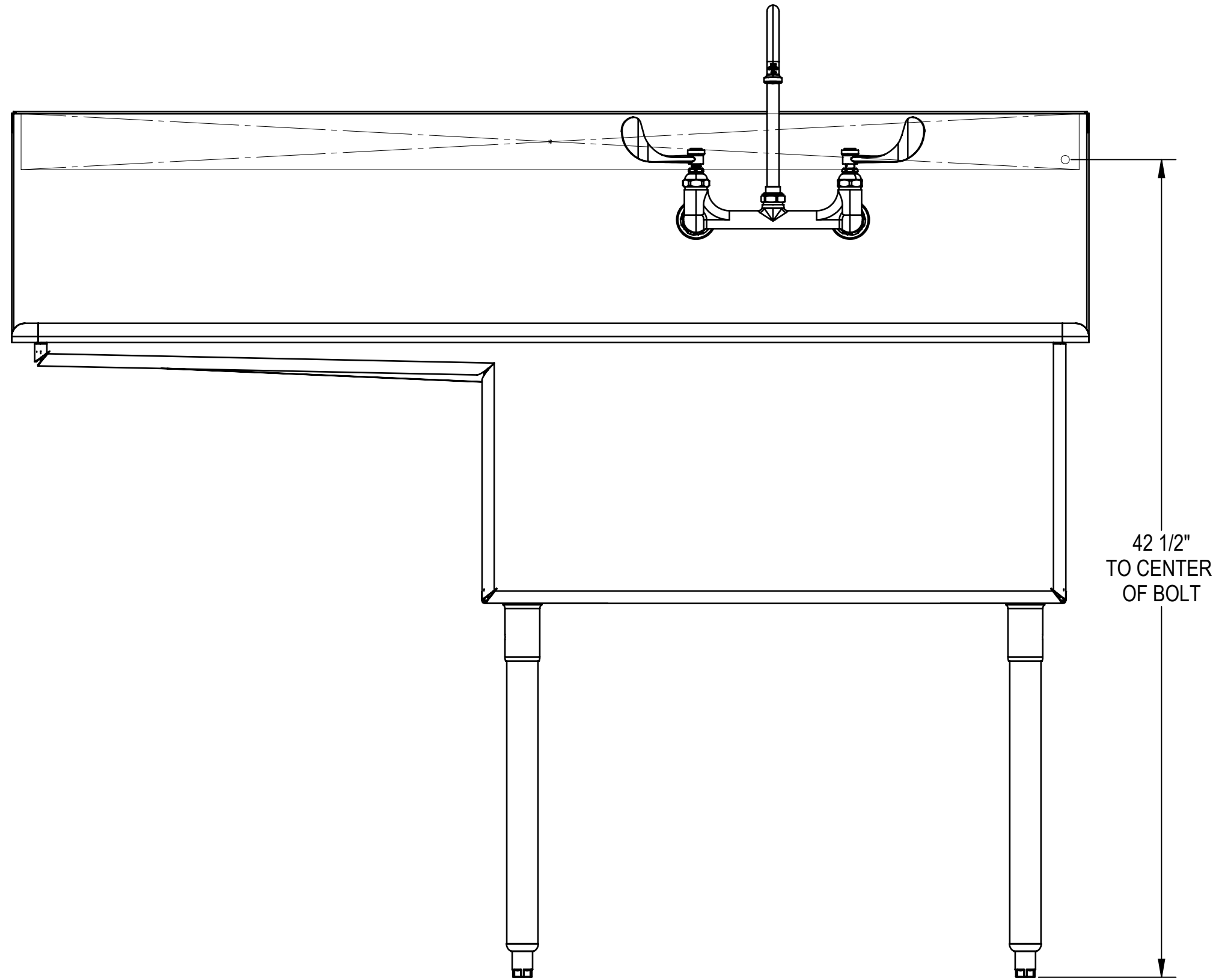
CUSTOMER	APPROVAL	<p>PROPRIETARY</p> <p>THIS DOCUMENT AND THE DATE DISCLOSED HEREIN AND HEREWITH IS NOT TO BE REPRODUCED, USED, OR OTHERWISE DISCLOSED IN WHOLE OR IN PART TO ANYONE WITHOUT WRITTEN AUTHORIZATION FROM MORTECH MFG.</p>	 MOPEC GROUP MORTECH ISO 9001:2015 CERTIFIED COMPANY	411 North Aerojet Avenue Azusa, CA 91702 tel: (800) 410-0100 (626) 334-1471 fax: (626) 334-1704 www.mortechmfg.com																																				
PROJECT	SIGNATURE	DATE	<table border="1" style="width: 100%; border-collapse: collapse;"> <tr> <td style="text-align: center;">DO NOT SCALE DRAWING</td> <td style="text-align: center;">APPROVALS</td> <td style="text-align: center;">DATE</td> </tr> <tr> <td>MATERIAL</td> <td>DRAWN BY</td> <td>06/21/24</td> </tr> <tr> <td>304 STAINLESS STEEL</td> <td>D. FRADEJAS</td> <td></td> </tr> <tr> <td>FINISH</td> <td>CHECKED BY</td> <td></td> </tr> <tr> <td>#4</td> <td>APPROVED BY</td> <td></td> </tr> </table>	DO NOT SCALE DRAWING	APPROVALS	DATE	MATERIAL	DRAWN BY	06/21/24	304 STAINLESS STEEL	D. FRADEJAS		FINISH	CHECKED BY		#4	APPROVED BY		<table border="1" style="width: 100%; border-collapse: collapse;"> <tr> <td colspan="2" style="text-align: center;">TITLE</td> <td style="text-align: right;">REV.</td> </tr> <tr> <td colspan="2" style="text-align: center;">MODEL MS2430L-24</td> <td style="text-align: right;">X01</td> </tr> <tr> <td colspan="2" style="text-align: center;">STAINLESS STEEL SCULLERY SINK, LEFT DRAINBOARD</td> <td></td> </tr> <tr> <td>SIZE</td> <td>DWG NO.</td> <td></td> </tr> <tr> <td>C</td> <td>MS2430L-24AP</td> <td></td> </tr> <tr> <td>SCALE</td> <td>NEXT ASSY.</td> <td>SHEET</td> </tr> <tr> <td>1:8</td> <td></td> <td>2 OF 3</td> </tr> </table>	TITLE		REV.	MODEL MS2430L-24		X01	STAINLESS STEEL SCULLERY SINK, LEFT DRAINBOARD			SIZE	DWG NO.		C	MS2430L-24AP		SCALE	NEXT ASSY.	SHEET	1:8		2 OF 3
DO NOT SCALE DRAWING	APPROVALS	DATE																																						
MATERIAL	DRAWN BY	06/21/24																																						
304 STAINLESS STEEL	D. FRADEJAS																																							
FINISH	CHECKED BY																																							
#4	APPROVED BY																																							
TITLE		REV.																																						
MODEL MS2430L-24		X01																																						
STAINLESS STEEL SCULLERY SINK, LEFT DRAINBOARD																																								
SIZE	DWG NO.																																							
C	MS2430L-24AP																																							
SCALE	NEXT ASSY.	SHEET																																						
1:8		2 OF 3																																						


WALL MOUNTING NOTES:

1. Z-BAR SHIPPED WITHOUT MOUNTING HOLES FOR ADOPTION TO FIELD CONDITIONS. HOLES TO BE DRILLED BY INSTALLER.
2. INSTALL 7 ANCHORS AT 8 3/4" ON CENTER. FIRST HOLE: 1" IN FROM SIDE OF Z-BAR. Z-BAR LENGTH: 52" LONG. ADDITIONAL ANCHORS CAN BE ADDED AS NEEDED.
3. USE MINIMUM 1/4" TEK SCREWS 2 3/4" LONG. ADJUST LENGTH PER WALL THICKNESS.
4. ANCHORS USED MUST BE FLUSH TO Z-BAR AS MUCH AS POSSIBLE. THEY MUST NOT INTERFERE WITH PLUMBING BEHIND WALL.
5. INSTALLATION IS BASED ON ROUGH-IN MOUNTING DETAIL PROVIDED.



SECTION A-A
SCALE 1 : 4



CUSTOMER		APPROVAL		<p style="text-align: center;">PROPRIETARY</p> <p style="text-align: center;">THIS DOCUMENT AND THE DATE DISCLOSED HEREIN AND HEREWITH IS NOT TO BE REPRODUCED, USED, OR OTHERWISE DISCLOSED IN WHOLE OR IN PART TO ANYONE WITHOUT WRITTEN AUTHORIZATION FROM MORTECH MFG.</p>			 411 North Aerojet Avenue Azusa, CA 91702 tel: (800) 410-0100 (626) 334-1471 fax: (626) 334-1704 www.mortechmfg.com			
PROJECT		SIGNATURE					DATE		TITLE MODEL MS2430L-24 STAINLESS STEEL SCULLERY SINK, LEFT DRAINBOARD	
				DO NOT SCALE DRAWING		APPROVALS		DATE		
				MATERIAL		DRAWN BY		06/21/24		
				FINISH		CHECKED BY		REV.		
				#4		APPROVED BY		X01		
							SIZE C		DWG NO. MS2430L-24AP	
							SCALE 1:8		NEXT ASSY.	
							SHEET 3		OF 3	