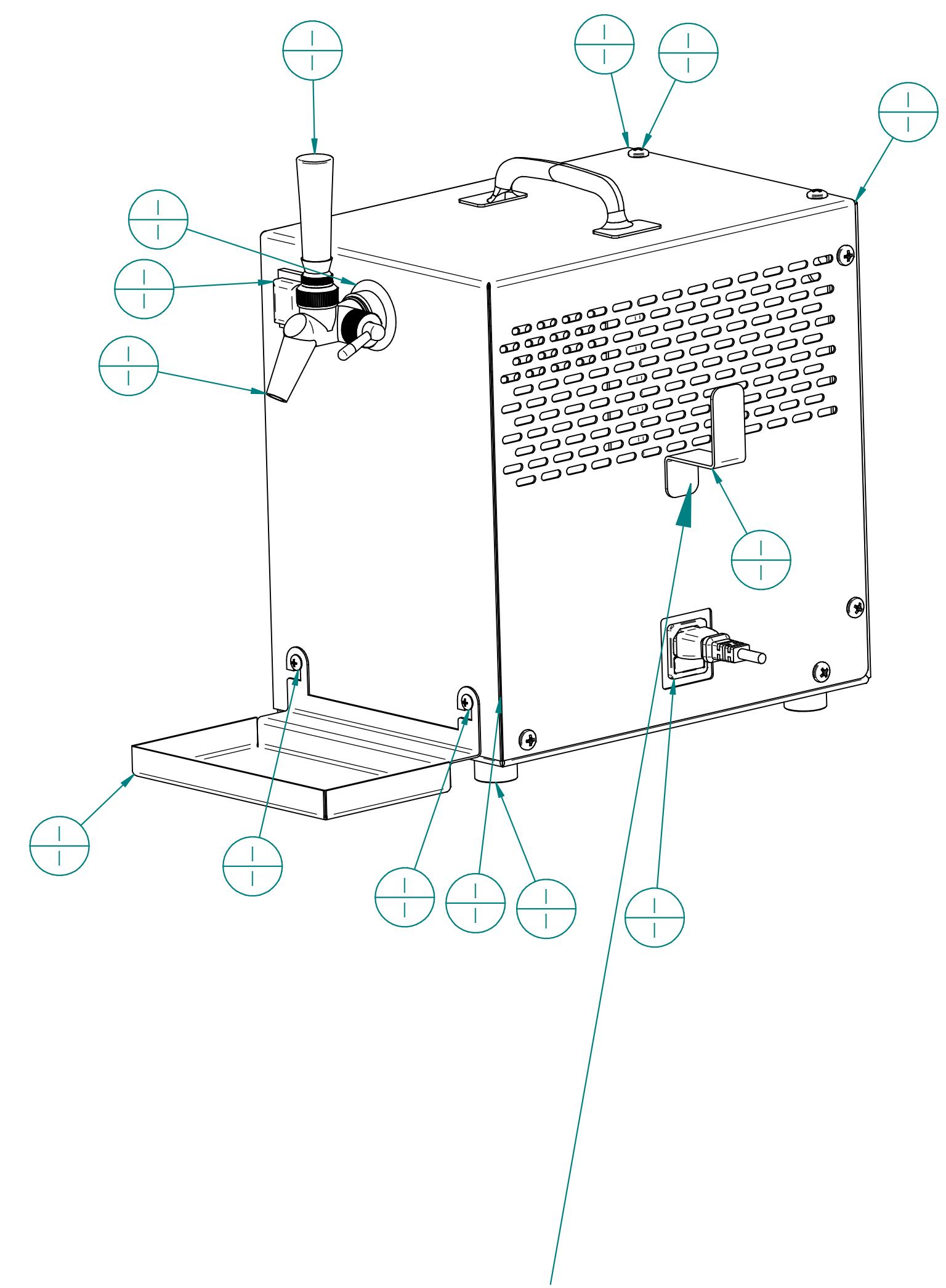
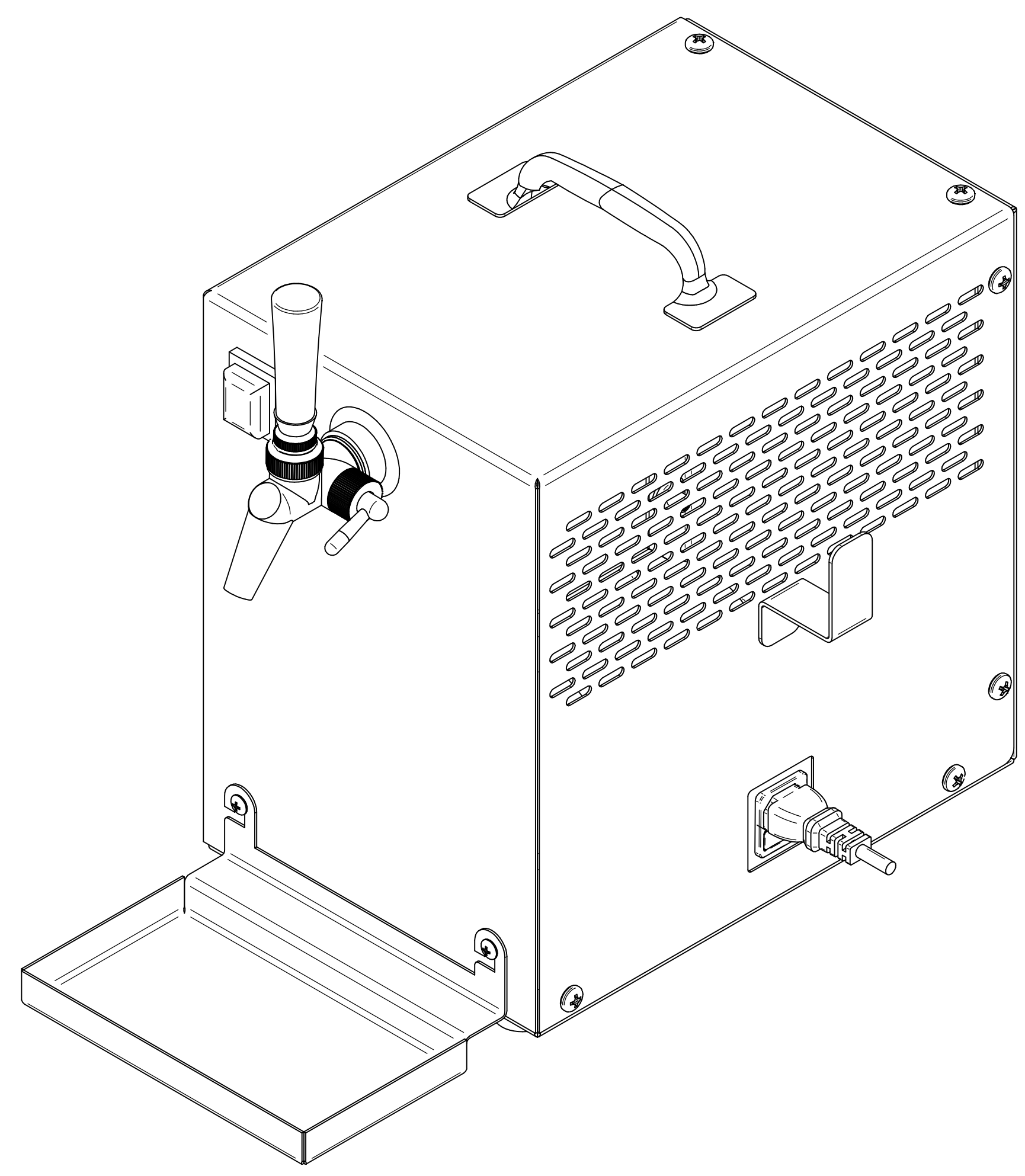


I 2 3 4 5 6 7 8 9 10 11

REV	DESCRIPTION	DATE	ECN #	APPR
A	INITIAL RELEASE	00-XXX-19	XXXXX	MM



CORD/HOSE WRAP BRKT.
LOCATE AT TIME OF ASSEMBLY (4x)



A
B
C
D
E
F
G
H

A
B
C
D
E
F
G
H

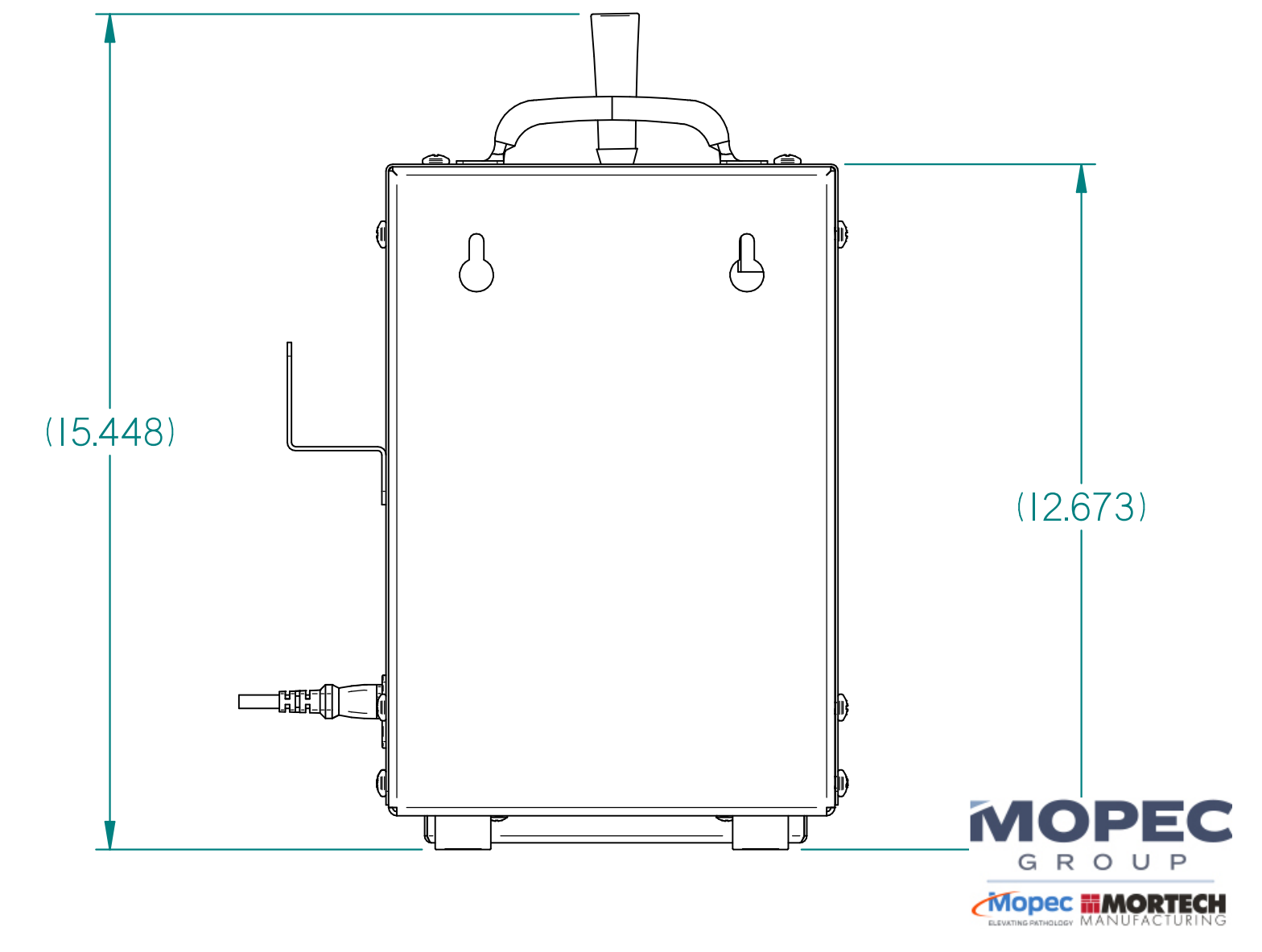
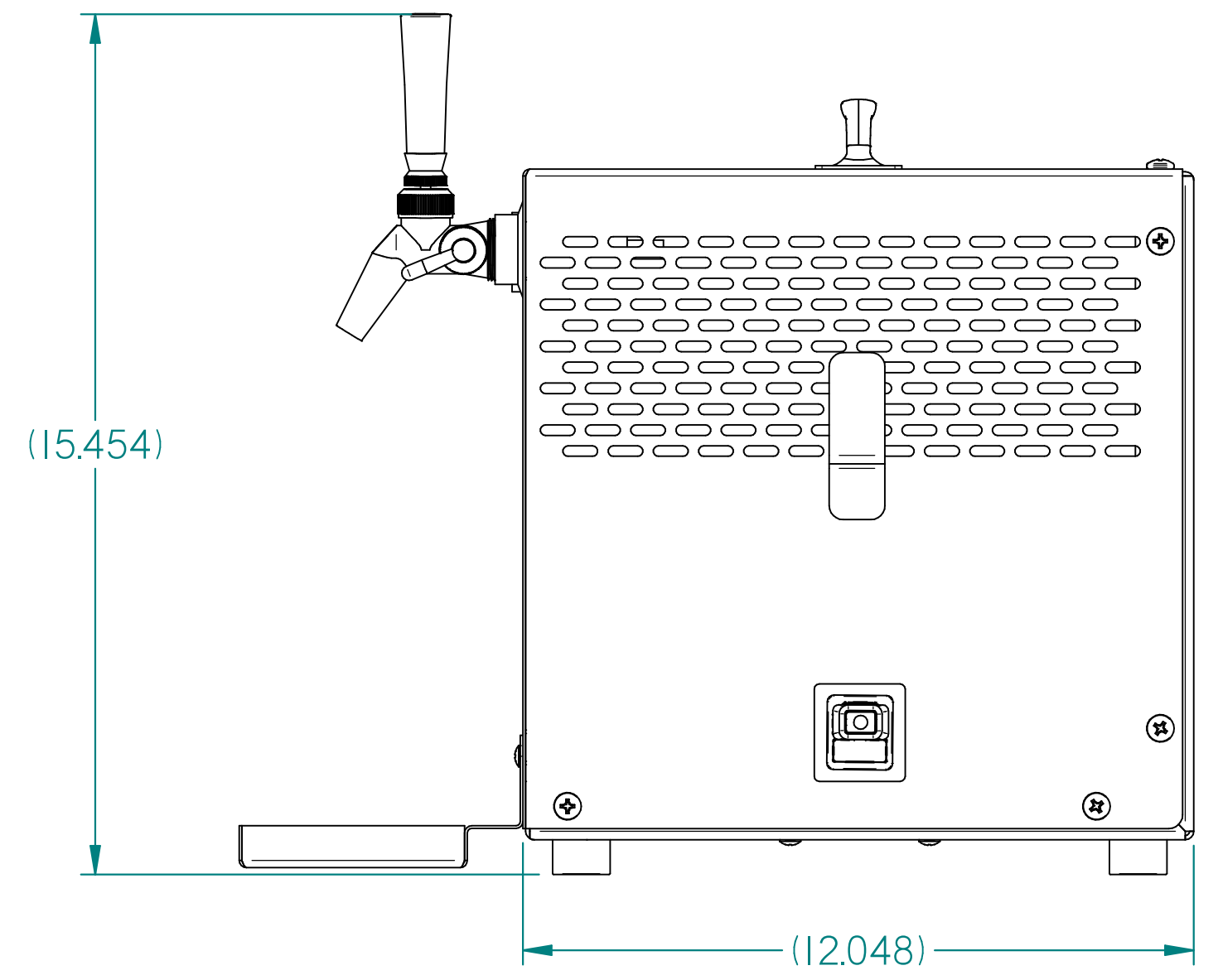
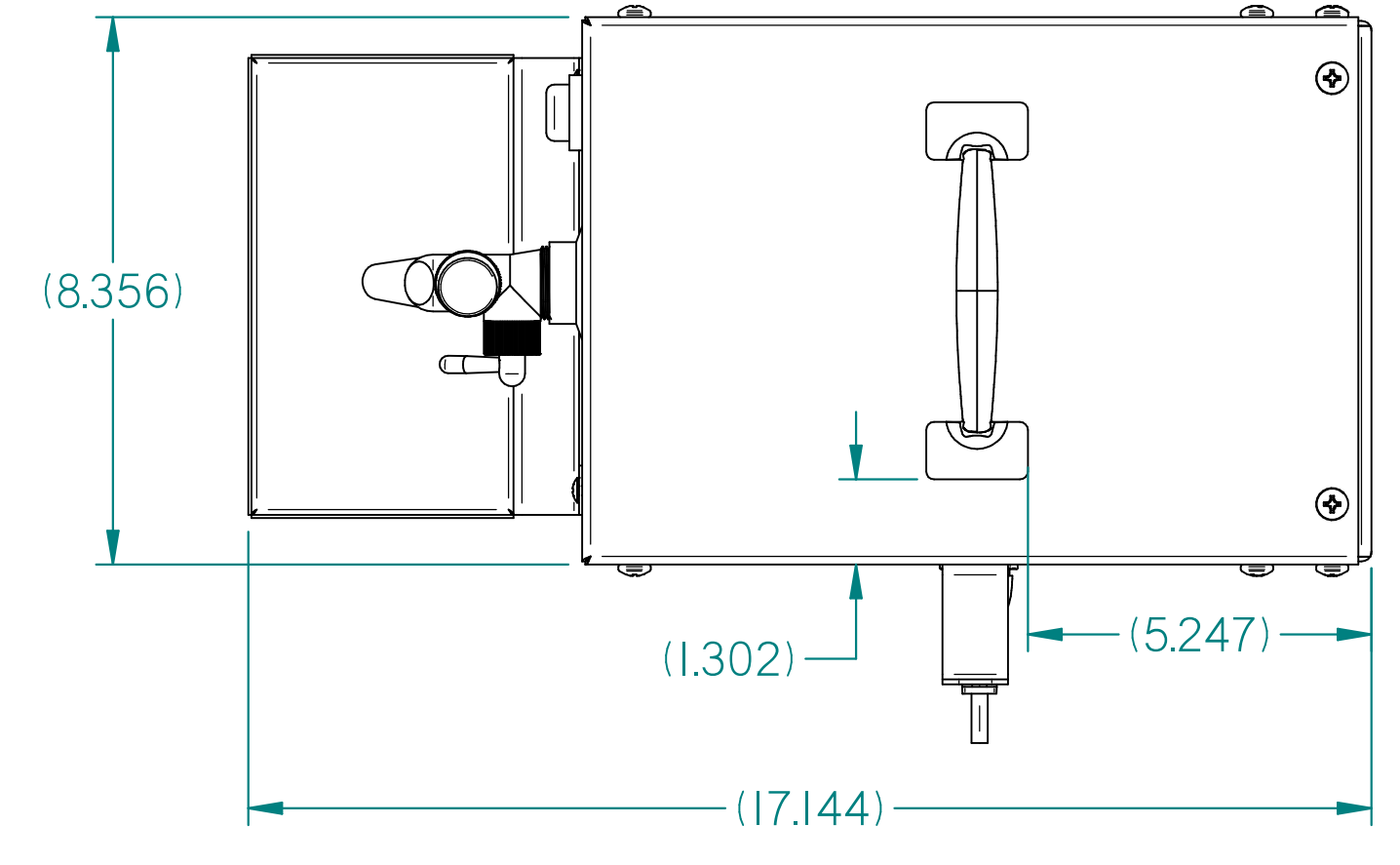
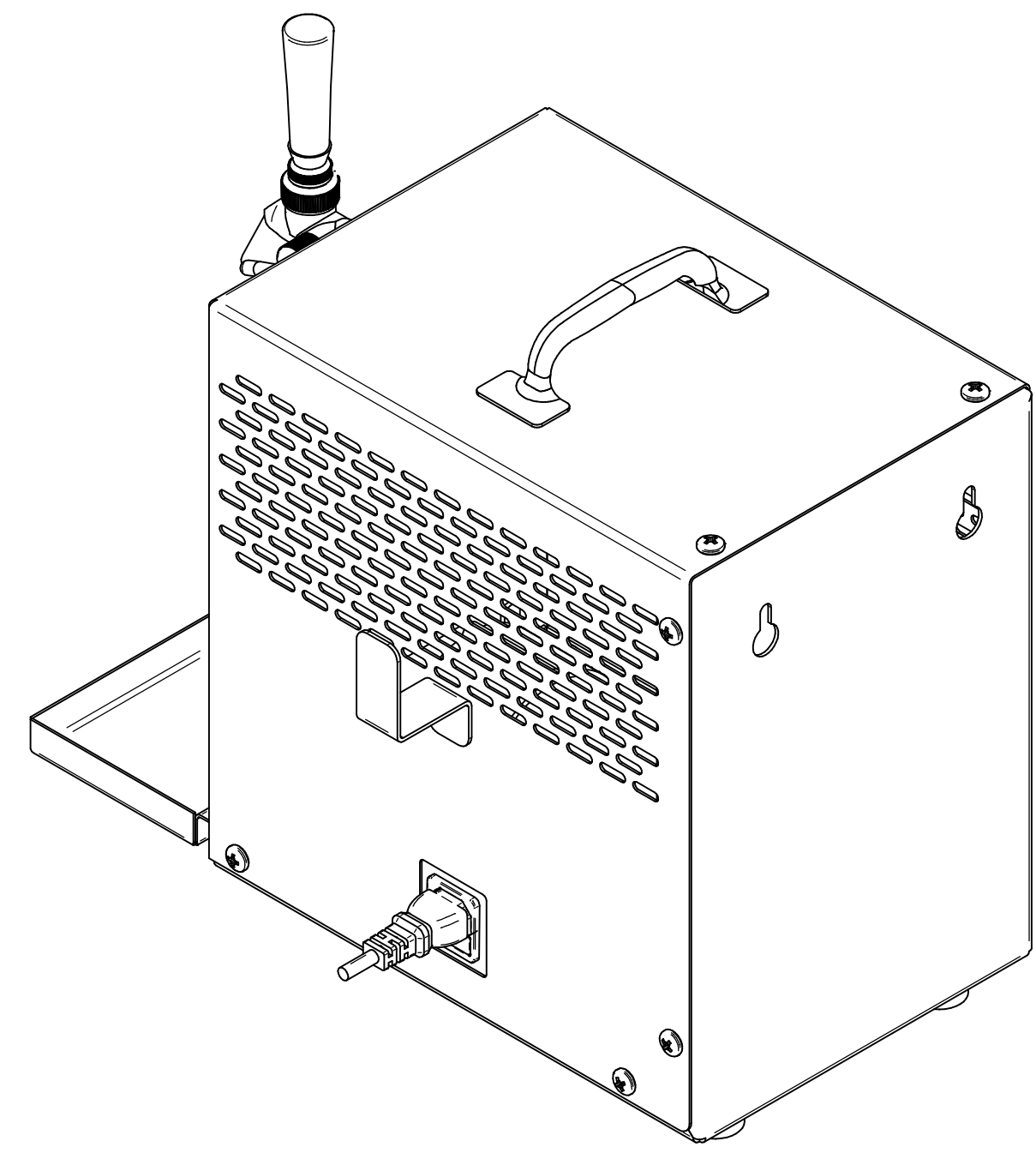
Item Number	Quantity	File Name	Title	Material	Revision
I	I	S7668-B.asm			B

<p>THIS DOCUMENT CONTAINS PROPRIETARY INFORMATION OF MOPEC, AND MAY NOT BE COPIED IN WHOLE OR PART, AND NO USE SHALL BE MADE OF IT OTHER THAN FOR WHICH IT HAS BEEN SUBMITTED WITHOUT THE WRITTEN PERMISSION OF A MOPEC MANAGER</p> <p>MOPEC 2025</p>	<p>UNLESS OTHERWISE SPECIFIED ALL DIMENSIONS IN INCHES</p> <p>TOLERANCES</p> <table> <tr><td>0.0</td><td>± 0.1 in</td></tr> <tr><td>0.00</td><td>± 0.05 in</td></tr> <tr><td>0.000</td><td>± 0.010 in</td></tr> <tr><td>0.0000</td><td>± 0.0010 in</td></tr> </table> <p>ANGLES ±0.5°</p> <p>BREAK ALL CORNERS 0.063 X 45°</p> <p>ALL FILLET RADII R0.063 /0.125in</p> <p>INSPECT OVAL DIMENSIONS</p>	0.0	± 0.1 in	0.00	± 0.05 in	0.000	± 0.010 in	0.0000	± 0.0010 in	<p>MATERIAL</p>	<p>MOPEC GROUP</p> <p>Mopec MORTECH</p> <p>MANUFACTURING</p>	<p>DRAWN BY: jrudolph</p> <p>DATE: 10/5/2023</p>	<p>PART NUMBER: FP025-B</p>
		0.0	± 0.1 in										
0.00	± 0.05 in												
0.000	± 0.010 in												
0.0000	± 0.0010 in												
<p>CHECKED BY:</p> <p>DATE: 10/5/2023</p>	<p>APPROVED BY: MMcCLAIN</p> <p>DATE: 10/5/2023</p>	<p>DESCRIPTION:</p> <p>SIZE: A2 FILE NAME: FP025-B.dft</p> <p>SCALE: 1:2</p>	<p>REV: A</p> <p>DO NOT SCALE IF IN DOUBT ASK</p> <p>SHEET 1 OF 2</p>										

I 2 3 4 5 6 7 8 9 10 11

FP025-B.dft

REV	DESCRIPTION	DATE	ECN #	APPR
A	INITIAL RELEASE	00-XXX-19	XXXXX	MM



<p>THIS DOCUMENT CONTAINS PROPRIETARY INFORMATION OF MOPEC, AND MAY NOT BE COPIED IN WHOLE OR PART, AND NO USE SHALL BE MADE OF IT OTHER THAN FOR WHICH IT HAS BEEN SUBMITTED WITHOUT THE WRITTEN PERMISSION OF A MOPEC MANAGER</p> <p>MOPEC 2025</p>	<p>UNLESS OTHERWISE SPECIFIED ALL DIMENSIONS IN INCHES</p> <p>TOLERANCES</p> <table border="0"> <tr> <td>0.0</td> <td>± 0.1 in</td> </tr> <tr> <td>0.00</td> <td>± 0.05 in</td> </tr> <tr> <td>0.000</td> <td>± 0.010 in</td> </tr> <tr> <td>0.0000</td> <td>± 0.0010 in</td> </tr> <tr> <td>ANGLES</td> <td>± 0.5°</td> </tr> </table> <p>BREAK ALL CORNERS 0.063 X 45° ALL FILLET RADII R0.063 / 0.125 in INSPECT OVAL DIMENSIONS</p>	0.0	± 0.1 in	0.00	± 0.05 in	0.000	± 0.010 in	0.0000	± 0.0010 in	ANGLES	± 0.5°	<p>MATERIAL</p>	<p>MOPEC GROUP</p> <p>Mopec MORTECH MANUFACTURING</p>	<p>DRAWN BY: jrudolph</p> <p>DATE: 10/5/2023</p>	<p>PART NUMBER: FP025-B</p>
		0.0	± 0.1 in												
0.00	± 0.05 in														
0.000	± 0.010 in														
0.0000	± 0.0010 in														
ANGLES	± 0.5°														
<p>CHECKED BY:</p> <p>DATE: 10/5/2023</p> <p>APPROVED BY: MMcCLAIN</p> <p>DATE: 10/5/2023</p>	<p>DESCRIPTION:</p> <p>SIZE: A2 FILE NAME: FP025-B.dft</p> <p>SCALE: 1:2.86</p> <p>DO NOT SCALE IF IN DOUBT ASK</p>														

FP025-B.dft