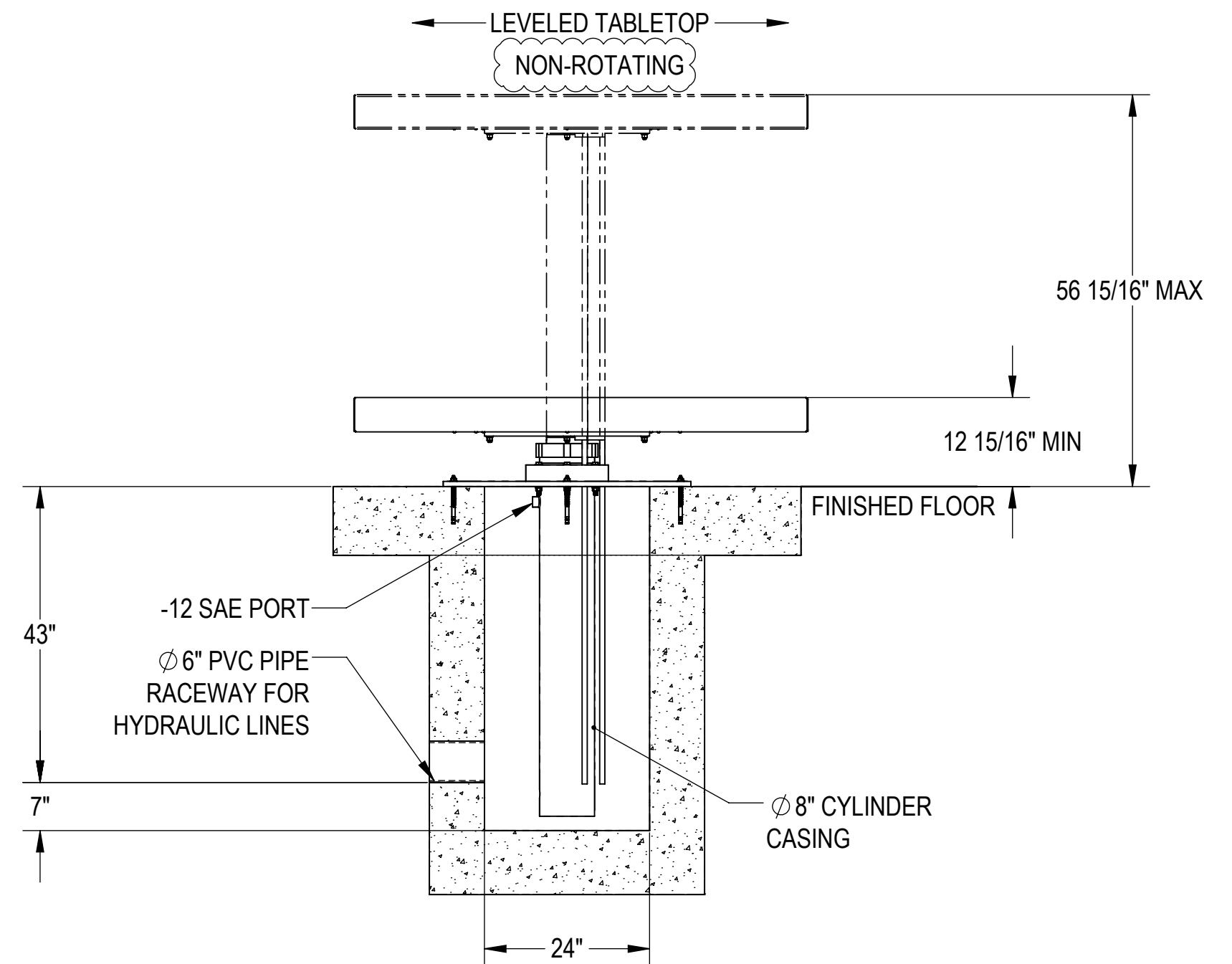
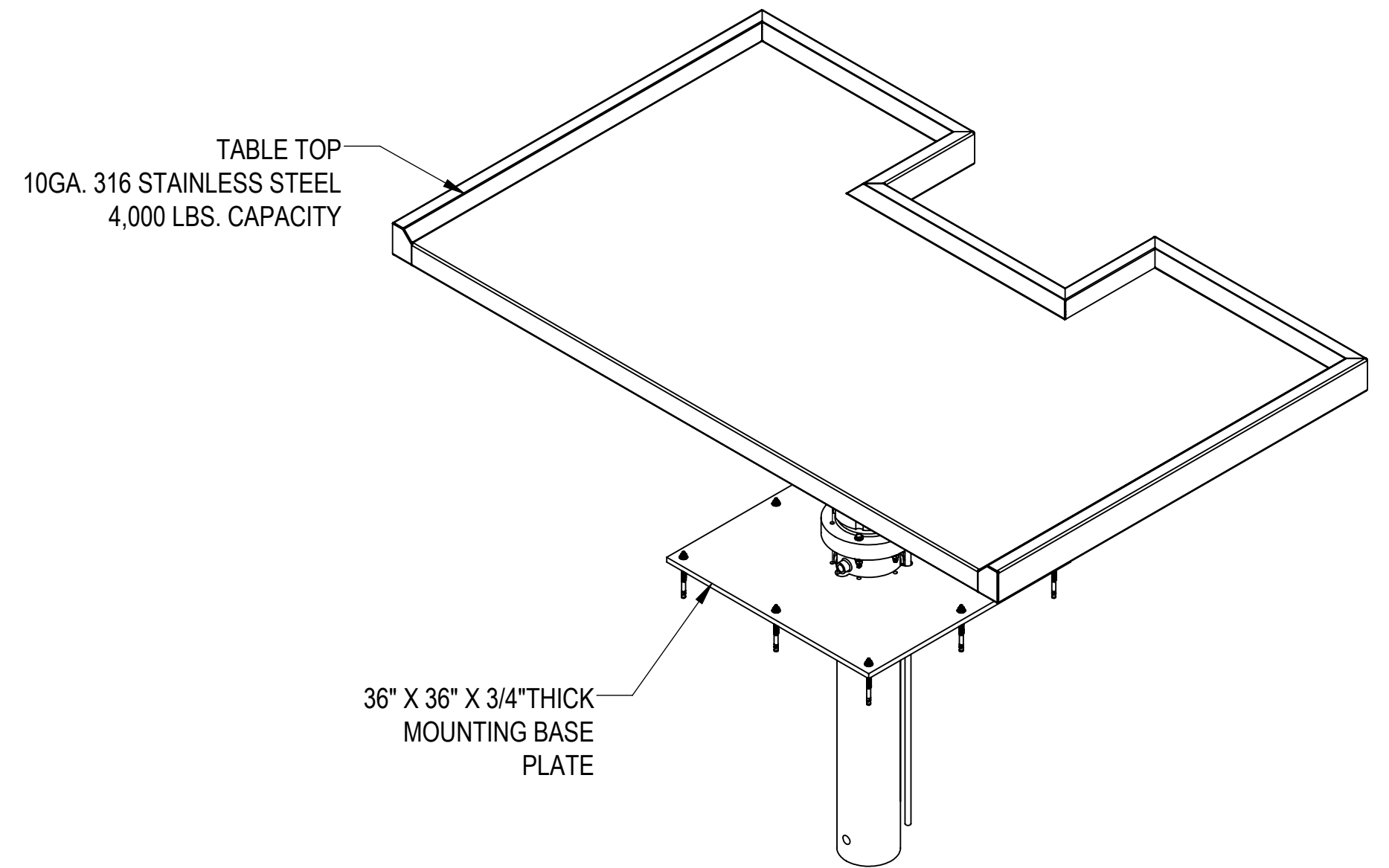
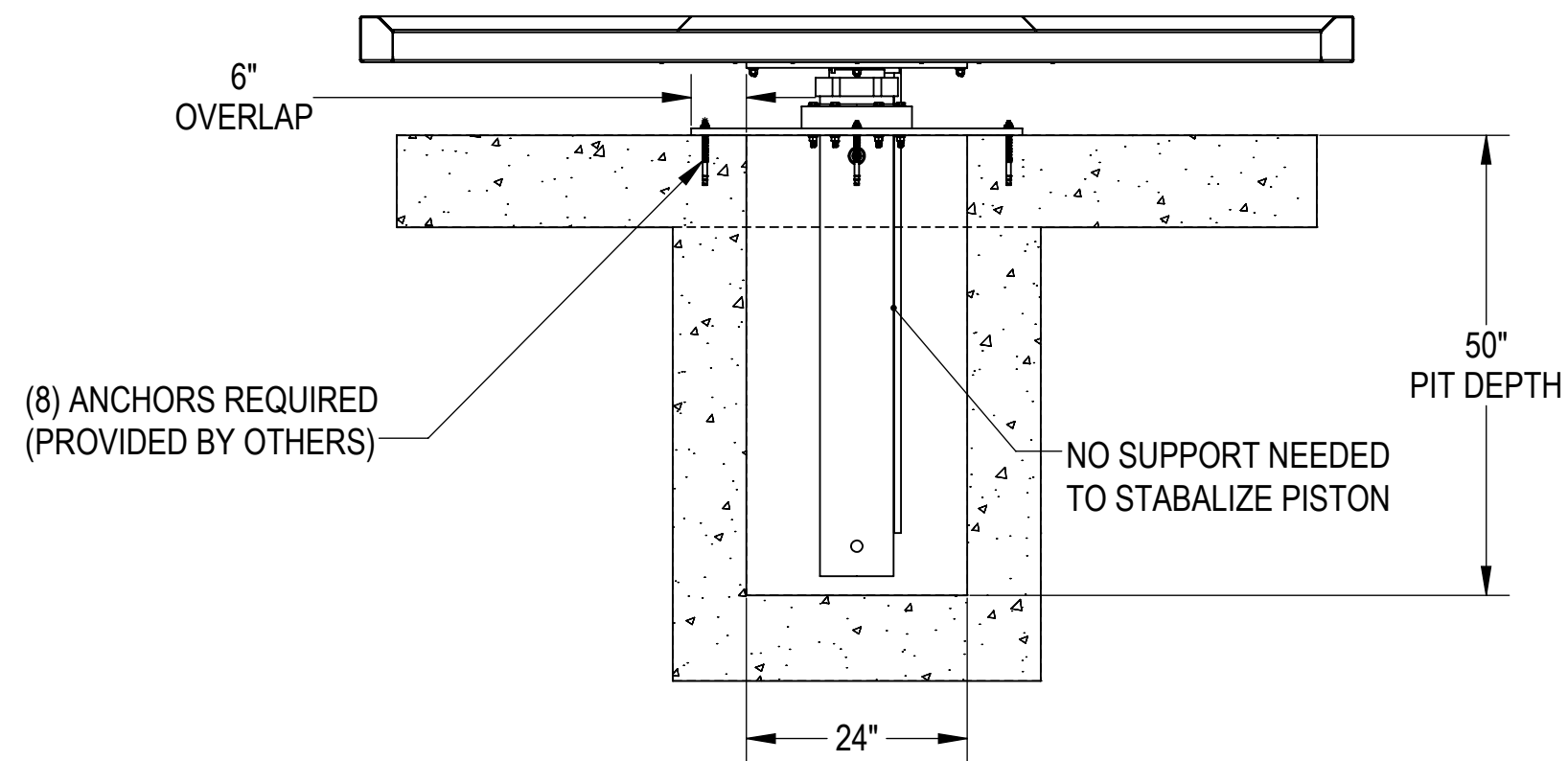
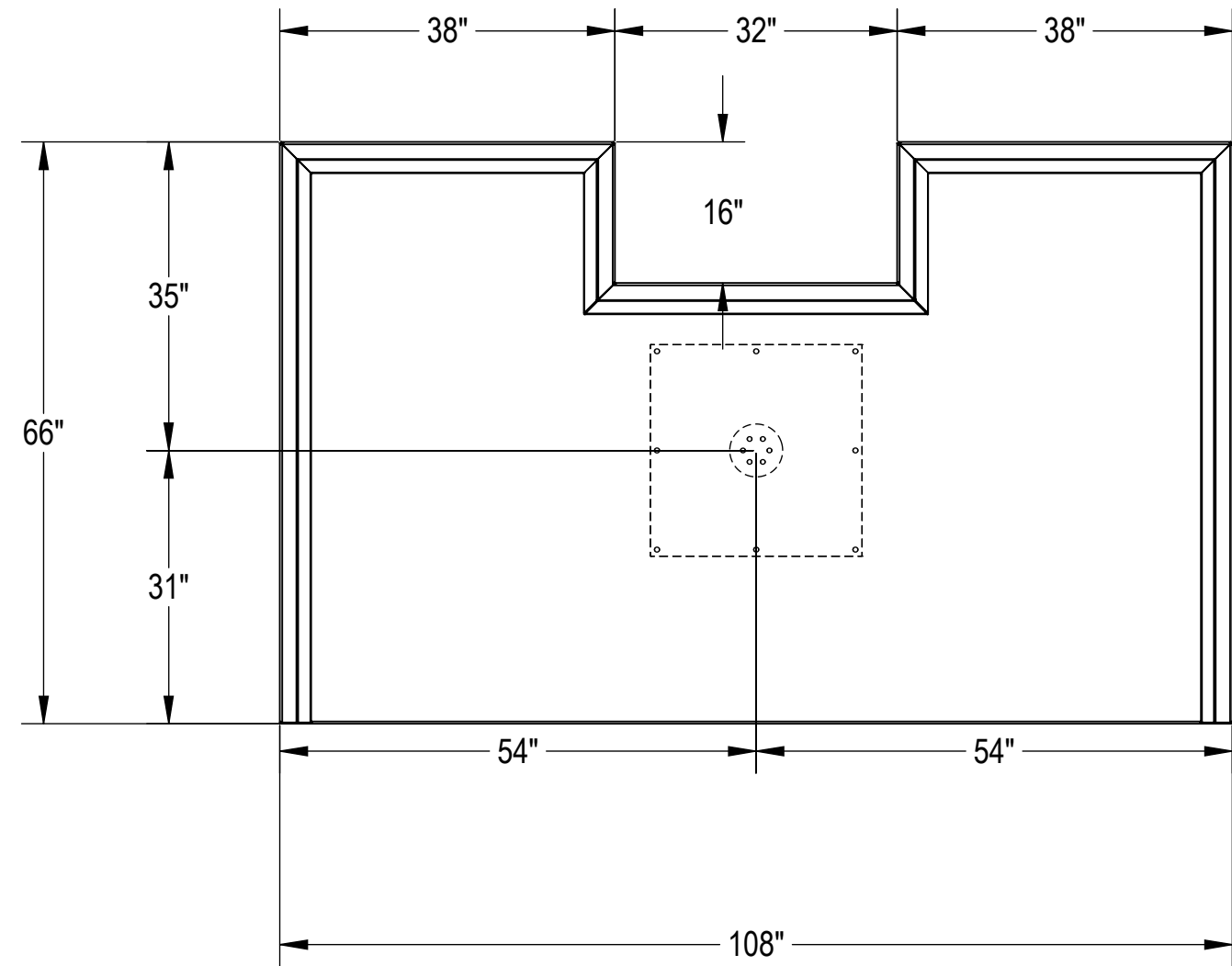


NOTES: UNLESS OTHERWISE SPECIFIED

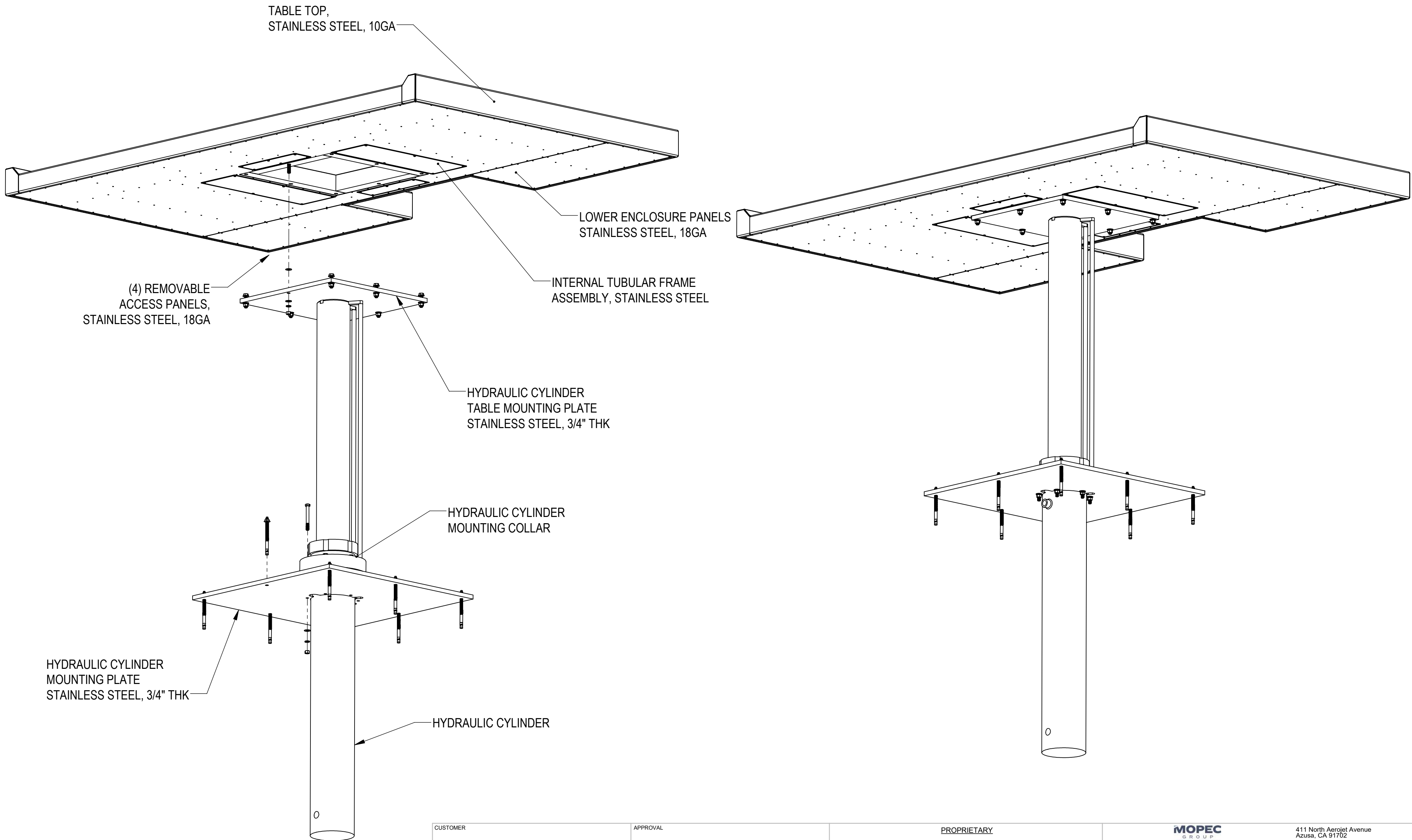
1. APPLICABLE STANDARDS AND SPECIFICATIONS;
ASMEY14.5-2009, DIMENSIONING AND TOLERANCING
ASME Y14.5-2007, ABBREVIATIONS
2. (2) OA-502, ADJUSTABLE TIE-DOWN ASSEMBLY, 3FT
SECTION/2 TIES MULTIPLY PER TABLE LENGTH AND SIDES
REQUIRED.
3. (8) OA-503, NYLON TIE STRAP, EACH



CUSTOMER		APPROVAL		<p align="center">PROPRIETARY</p> <p align="center">THIS DOCUMENT AND THE DATE DISCLOSED HEREIN AND HEREWITH IS NOT TO BE REPRODUCED, USED, OR OTHERWISE DISCLOSED IN WHOLE OR IN PART TO ANYONE WITHOUT WRITTEN AUTHORIZATION FROM MORTECH MFG.</p>			<p align="center">MOPEC GROUP</p> <p align="center">MORTECH</p> <p align="center">ISO 9001:2015 CERTIFIED COMPANY</p>			<p>411 North Aerojet Avenue Azusa, CA 91702 tel: (800) 410-0100 (626) 334-1471 fax: (626) 334-1704 www.mortechmfg.com</p>				
PROJECT		SIGNATURE		DATE		<p>DO NOT SCALE DRAWING</p> <p>MATERIAL: 304 STAINLESS STEEL</p> <p>FINISH: #4 SATIN</p>			<p>APPROVALS</p> <p>DRAWN BY: D. FRADEJAS</p> <p>CHECKED BY:</p> <p>APPROVED BY:</p>			<p>DATE: 02/27/24</p>		
TITLE: MODEL 1036-250P							<p align="center">LARGE HYDRAULIC NECROPSY TABLE</p>							
SCALE: 1:16							<p>SIZE: C</p> <p>DWG NO.: 1036-250PAP</p> <p>SCALE: 1:16</p>			<p>REV. X01</p>				
NEXT ASSY.							<p>SHEET 1 OF 7</p>							

NOTES: UNLESS OTHERWISE SPECIFIED

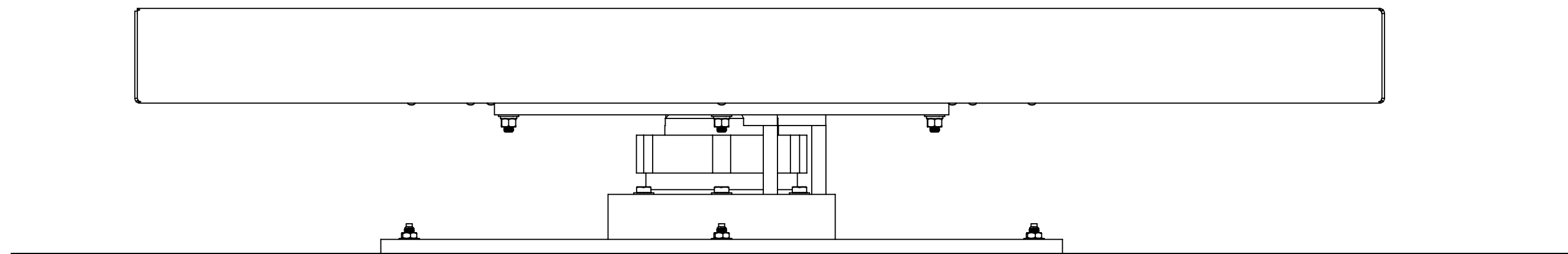
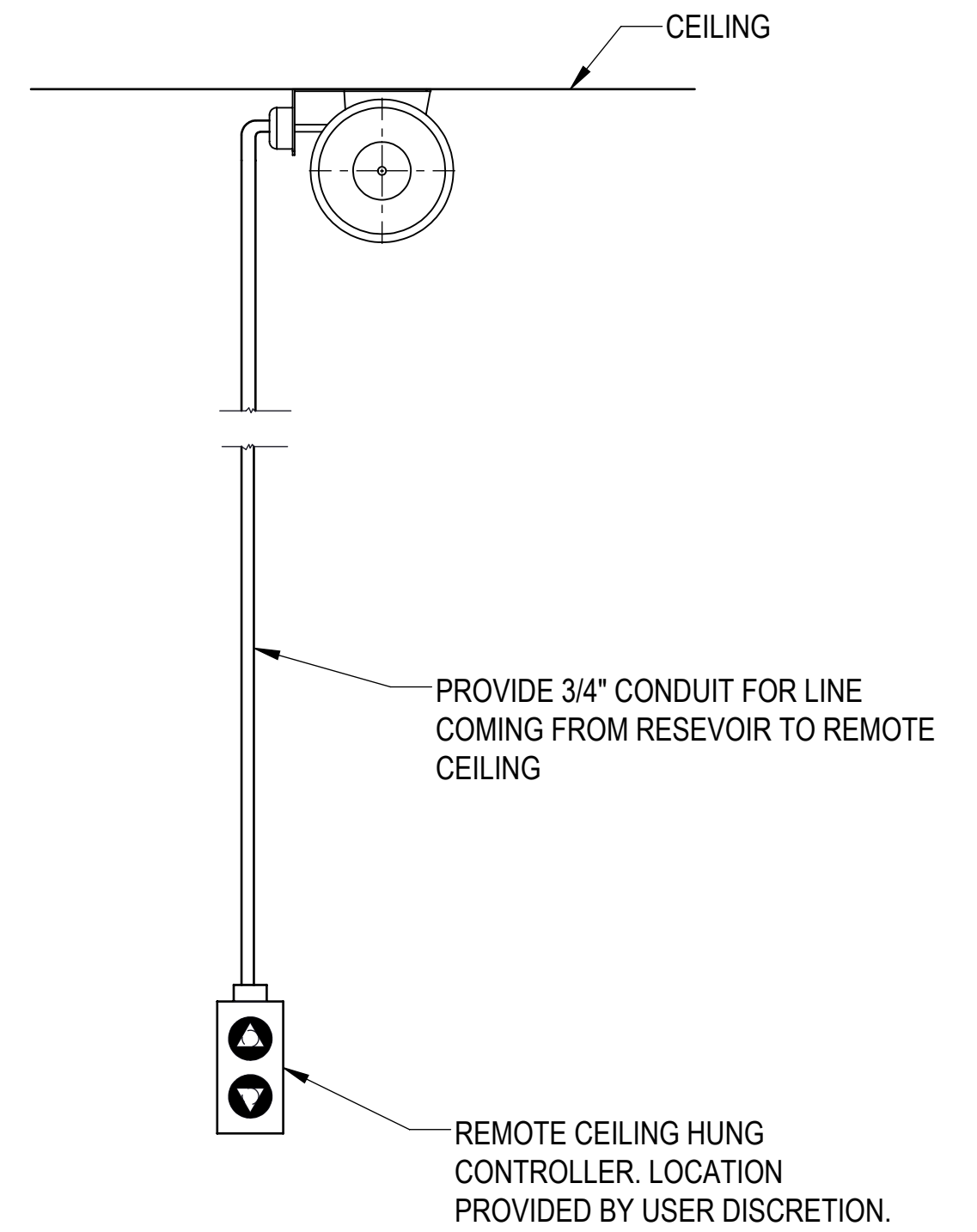
1. APPLICABLE STANDARDS AND SPECIFICATIONS;
ASME Y14.5-2009, DIMENSIONING AND TOLERANCING
ASME Y14.5-2007, ABBREVIATIONS




CUSTOMER		APPROVAL		<p style="text-align: center;">PROPRIETARY</p> <p style="text-align: center;">THIS DOCUMENT AND THE DATE DISCLOSED HEREIN AND HEREWITH IS NOT TO BE REPRODUCED, USED, OR OTHERWISE DISCLOSED IN WHOLE OR IN PART TO ANYONE WITHOUT WRITTEN AUTHORIZATION FROM MORTECH MFG.</p>			<p style="text-align: center;">MOPEC GROUP</p> <p style="text-align: center;">411 North Aerojet Avenue Azusa, CA 91702 tel: (800) 410-0100 (626) 334-1471 fax: (626) 334-1704 www.mortechmfg.com</p>			
PROJECT		SIGNATURE					DATE		<p style="text-align: center;">ISO 9001:2015 CERTIFIED COMPANY</p>	
				DO NOT SCALE DRAWING		APPROVALS		DATE		
				MATERIAL		DRAWN BY		02/27/24		
				304 STAINLESS STEEL		D. FRADEJAS				
				CHECKED BY		APPROVED BY				
				FINISH						
				#4 SATIN						
TITLE							<p style="text-align: center;">MODEL 1036-250P</p> <p style="text-align: center;">LARGE HYDRAULIC NECROPSY TABLE</p>			
SIZE							DWG. NO.		REV.	
C							1036-250PAP		X01	
SCALE							NEXT ASSY.		SHEET	
1:12									2 OF 7	

NOTES: UNLESS OTHERWISE SPECIFIED

1. APPLICABLE STANDARDS AND SPECIFICATIONS;
ASME Y14.5-2009, DIMENSIONING AND TOLERANCING
ASME Y14.5-2007, ABBREVIATIONS

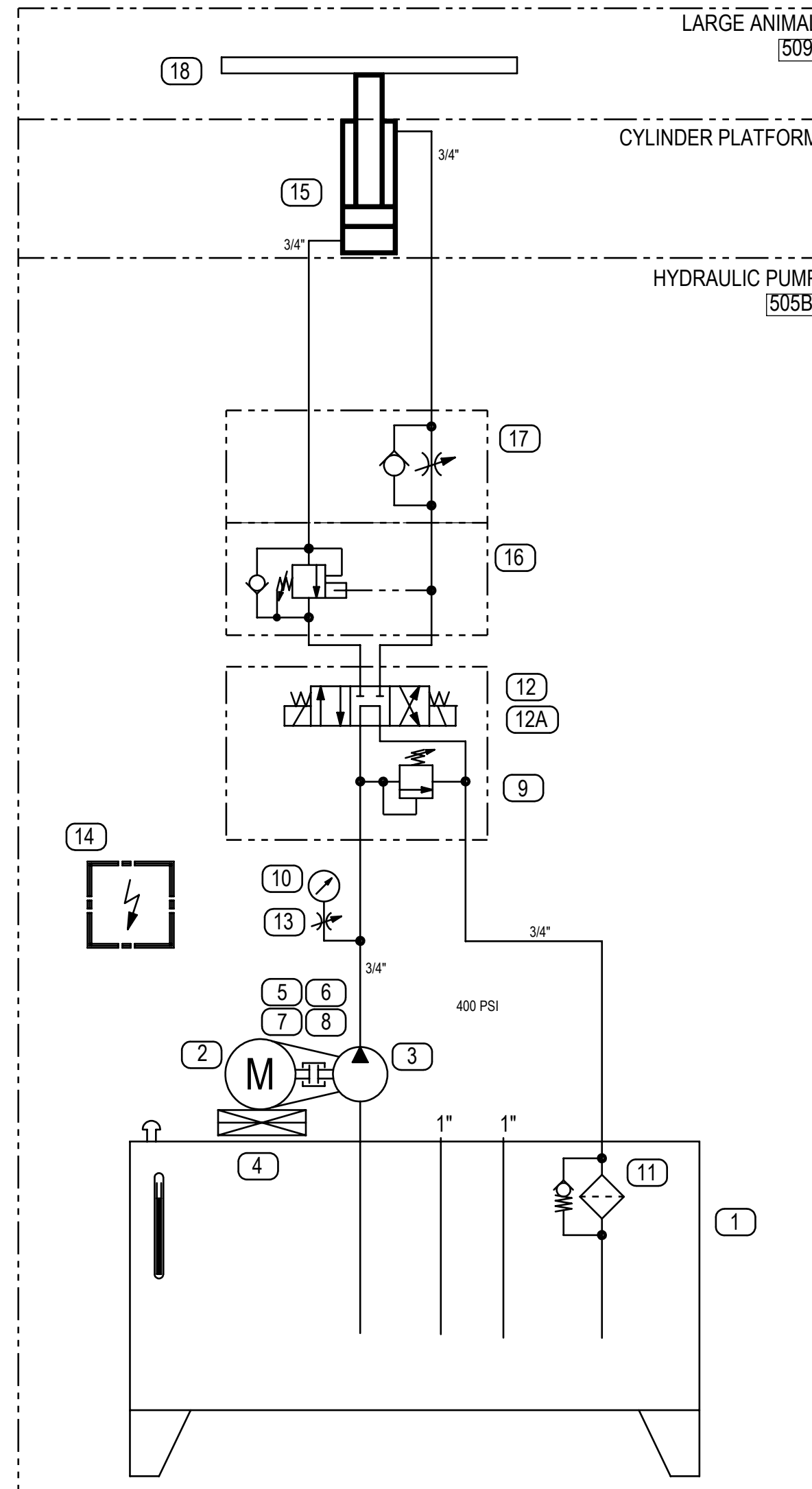


CUSTOMER		APPROVAL		<p style="text-align: center;"><u>PROPRIETARY</u></p> <p style="text-align: center;">THIS DOCUMENT AND THE DATE DISCLOSED HEREIN AND HEREWITH IS NOT TO BE REPRODUCED, USED, OR OTHERWISE DISCLOSED IN WHOLE OR IN PART TO ANYONE WITHOUT WRITTEN AUTHORIZATION FROM MORTECH MFG.</p>			 411 North Aerojet Avenue Azusa, CA 91702 tel: (800) 410-0100 (626) 334-1471 fax: (626) 334-1704 www.mortechmfg.com	
PROJECT		SIGNATURE					DATE	TITLE
					DO NOT SCALE DRAWING	APPROVALS	DATE	ISO 9001:2015 CERTIFIED COMPANY
					MATERIAL	DRAWN BY		SIZE
					304 STAINLESS STEEL	D. FRADEJAS	02/27/24	C
					FINISH	CHECKED BY		DWG NO.
					#4 SATIN	APPROVED BY		1036-250PAP
								REV. X01
								SCALE 1:6
								NEXT ASSY.
								SHEET 3 OF 7

NOTES: UNLESS OTHERWISE SPECIFIED

1. APPLICABLE STANDARDS AND SPECIFICATIONS;
ASME Y14.5-2009, DIMENSIONING AND TOLERANCING
ASME Y14.5-2007, ABBREVIATIONS

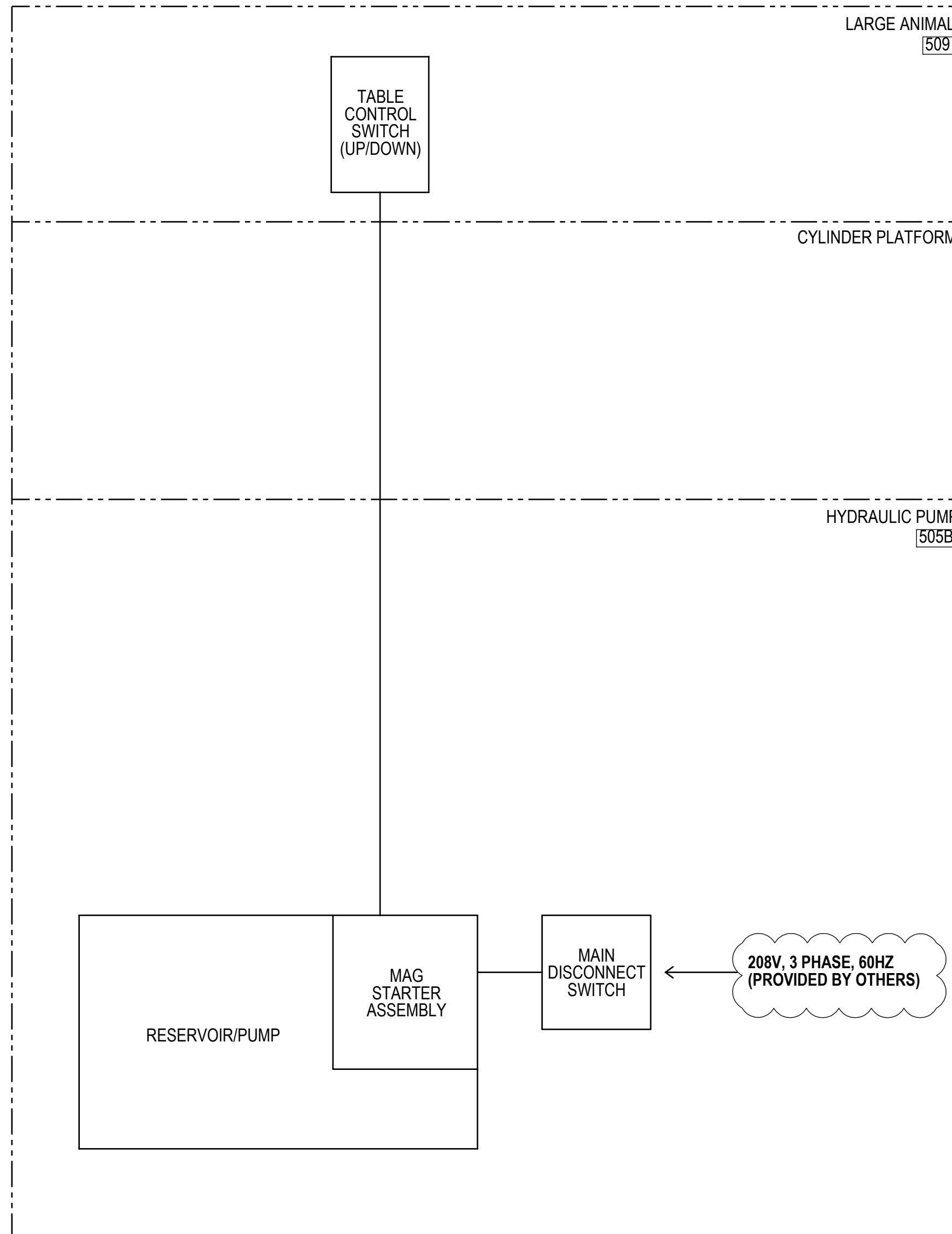
LEGEND	
1	RESERVOIR, 30 GALLON
2	ELECTRIC MOTOR, 5HP
3	VANE PUMP, 12GPM
4	MOTOR DAMPENING RODS
5	PUMP MOTOR ADAPTER
6	MOTOR COUPLING
7	PUMP COUPLING
8	COUPLING INSERT
9	RELIEF VALVE
10	PRESSURE GAUGE, 1000 PSI
11	RETURN FILTER
12	DIRECTIONAL VALVE W/ SOLENOID
12A	SUBPLATE W/ RELIEF
13	GAUGE SNUBBER
14	A/C CONTROL BOX
15	CYLINDER ASSEMBLY
16	COUNTERBALANCE/BODY
17	FLOW CONTROL/BODY
18	TABLE ASSEMBLY



CUSTOMER	APPROVAL	<p align="center">PROPRIETARY</p> <p align="center">THIS DOCUMENT AND THE DATE DISCLOSED HEREIN AND HEREWITH IS NOT TO BE REPRODUCED, USED, OR OTHERWISE DISCLOSED IN WHOLE OR IN PART TO ANYONE WITHOUT WRITTEN AUTHORIZATION FROM MORTECH MFG.</p>	<p align="center">MOPEC GROUP</p> <p align="center">411 North Aerojet Avenue Azusa, CA 91702 tel: (800) 410-0100 (626) 334-1471 fax: (626) 334-1704 www.mortechmfg.com</p>						
PROJECT	SIGNATURE		DATE	<p align="center">ISO 9001:2015 CERTIFIED COMPANY</p> <p align="center">MODEL 1036-250P</p> <p align="center">LARGE HYDRAULIC NECROPSY TABLE</p>					
			DO NOT SCALE DRAWING	APPROVALS	DATE	TITLE	SIZE	DWG NO.	REV.
			MATERIAL	DRAWN BY	02/27/24	<p align="center">C</p> <p align="center">1036-250PAP</p>	<p align="center">X01</p>		
			FINISH	CHECKED BY				SCALE	NEXT ASSY.
			#4 SATIN	APPROVED BY		1:14		4	7

NOTES: UNLESS OTHERWISE SPECIFIED

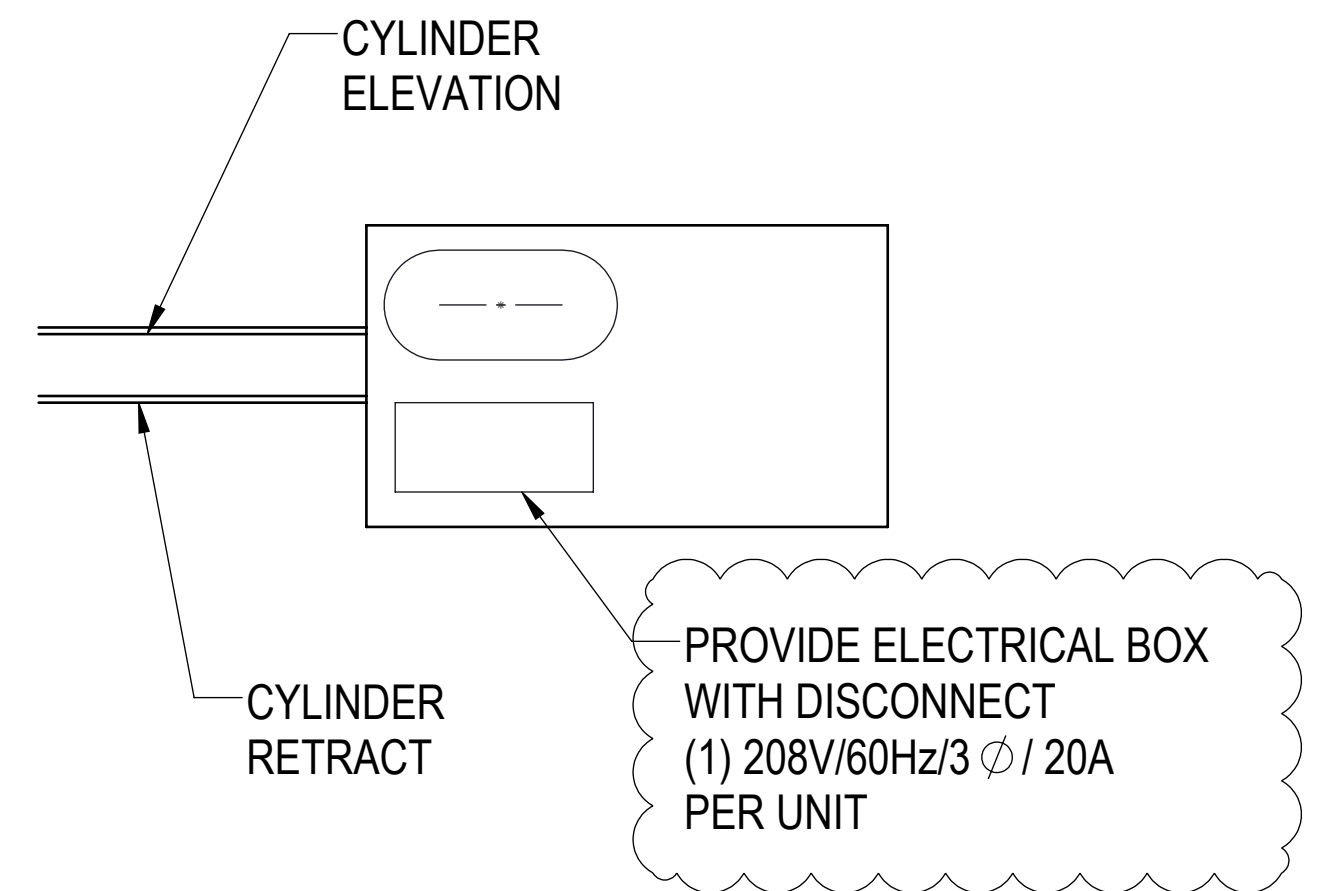
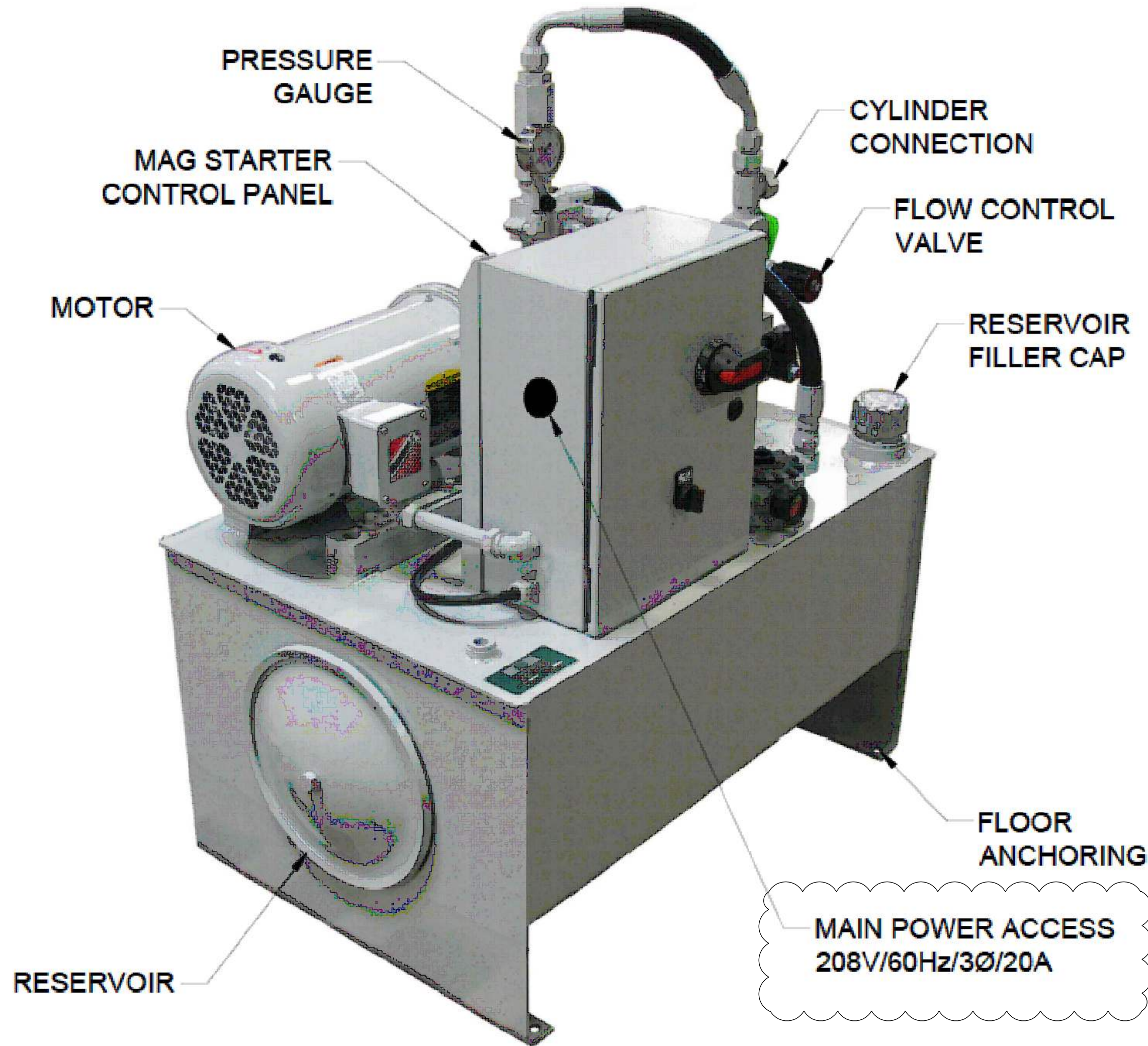
1. APPLICABLE STANDARDS AND SPECIFICATIONS;
ASME Y14.5-2009, DIMENSIONING AND TOLERANCING
ASME Y14.5-2007, ABBREVIATIONS



CUSTOMER		APPROVAL		<p style="text-align: center;"><u>PROPRIETARY</u></p> <p style="text-align: center;">THIS DOCUMENT AND THE DATE DISCLOSED HEREIN AND HEREWITH IS NOT TO BE REPRODUCED, USED, OR OTHERWISE DISCLOSED IN WHOLE OR IN PART TO ANYONE WITHOUT WRITTEN AUTHORIZATION FROM MORTECH MFG.</p>			<p style="text-align: center;">MOPEC GROUP <small>MORTECH</small></p> <p style="text-align: center;">ISO 9001:2015 CERTIFIED COMPANY</p>			<p>411 North Aerojet Avenue Azusa, CA 91702 tel: (800) 410-0100 (626) 334-1471 fax: (626) 334-1704 www.mortechmfg.com</p>				
PROJECT		SIGNATURE					DATE		<p>TITLE</p> <p style="text-align: center;">MODEL 1036-250P LARGE HYDRAULIC NECROPSY TABLE</p>			<p>REV. X01</p>		
						<p>DO NOT SCALE DRAWING</p>			<p>APPROVALS</p>			<p>DATE</p>		
						<p>MATERIAL</p> <p>304 STAINLESS STEEL</p>			<p>DRAWN BY</p> <p>D. FRADEJAS</p>			<p>02/27/24</p>		
						<p>FINISH</p> <p>#4 SATIN</p>			<p>CHECKED BY</p>			<p>SCALE</p> <p>C</p>		
						<p>APPROVED BY</p>			<p>SIZE</p> <p>1:1.5</p>			<p>DWG NO.</p> <p>1036-250PAP</p>		
									<p>NEXT ASSY.</p>			<p>SHEET</p> <p>5 OF 7</p>		

NOTES: UNLESS OTHERWISE SPECIFIED

1. APPLICABLE STANDARDS AND SPECIFICATIONS;
ASME Y14.5-2009, DIMENSIONING AND TOLERANCING
ASME Y14.5-2007, ABBREVIATIONS

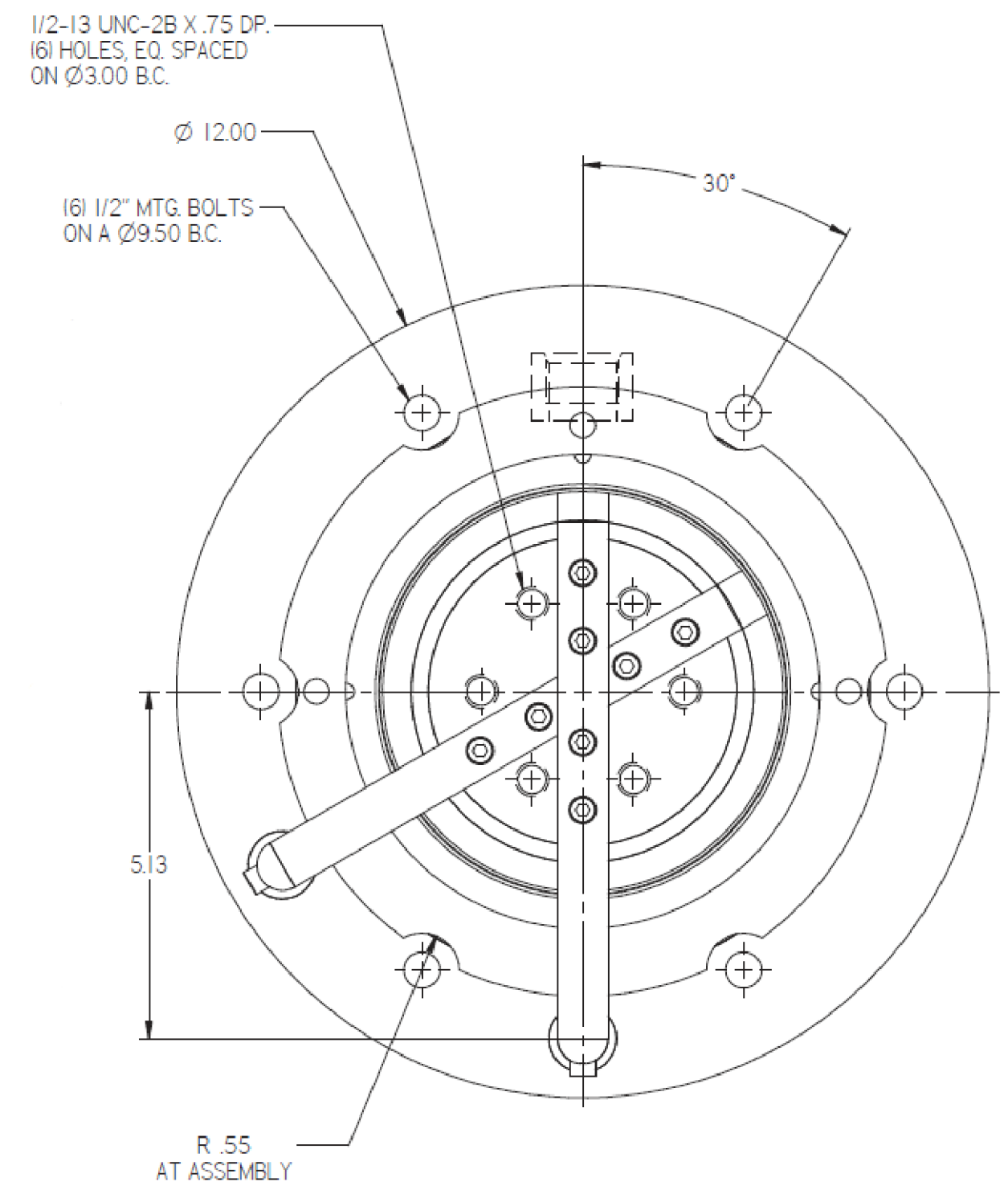
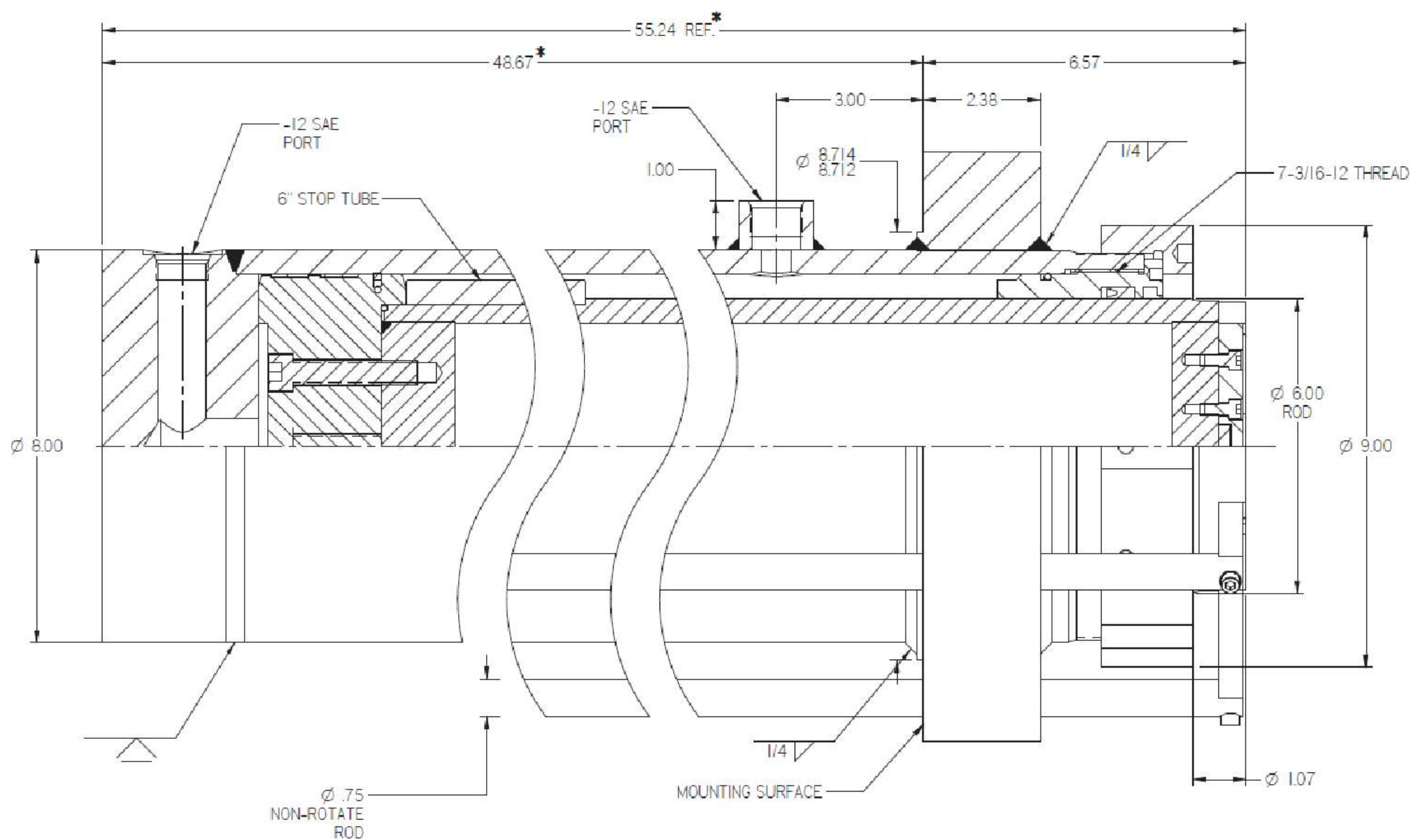
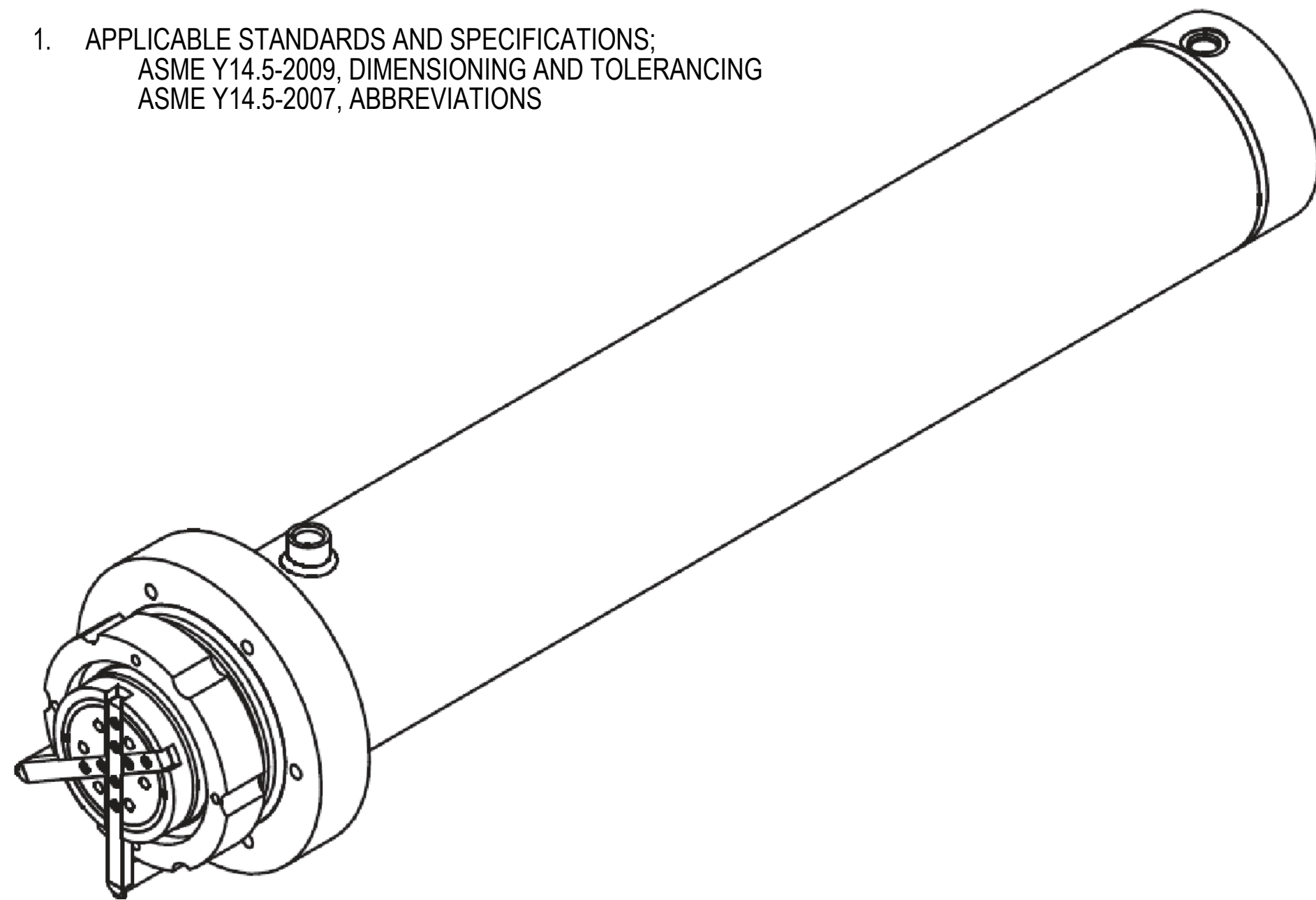


RESERVOIR PUMP
DETAIL VIEW
SCALE:NTS

CUSTOMER	APPROVAL	<p style="text-align: center;"><u>PROPRIETARY</u></p> <p style="text-align: center;">THIS DOCUMENT AND THE DATE DISCLOSED HEREIN AND HERewith IS NOT TO BE REPRODUCED, USED, OR OTHERWISE DISCLOSED IN WHOLE OR IN PART TO ANYONE WITHOUT WRITTEN AUTHORIZATION FROM MORTECH MFG.</p>	<p style="text-align: center;">MOPEC GROUP</p> <p style="text-align: center;">411 North Aerojet Avenue Azusa, CA 91702 tel: (800) 410-0100 (626) 334-1471 fax: (626) 334-1704 www.mortechmfg.com</p>		
PROJECT	SIGNATURE		DATE	<p style="text-align: center;">ISO 9001:2015 CERTIFIED COMPANY</p> <p style="text-align: center;">MODEL 1036-250P</p> <p style="text-align: center;">LARGE HYDRAULIC NECROPSY TABLE</p>	
		DO NOT SCALE DRAWING	APPROVALS	DATE	TITLE
		MATERIAL	DRAWN BY	02/27/24	SIZE
		304 STAINLESS STEEL	D. FRADEJAS		C
		FINISH	CHECKED BY		DWG NO.
		#4 SATIN	APPROVED BY		1036-250PAP
					REV. X01
					SCALE 1:14
					NEXT ASSY.
					SHEET 6 OF 7

NOTES: UNLESS OTHERWISE SPECIFIED

1. APPLICABLE STANDARDS AND SPECIFICATIONS;
ASME Y14.5-2009, DIMENSIONING AND TOLERANCING
ASME Y14.5-2007, ABBREVIATIONS



CUSTOMER		APPROVAL		<p>PROPRIETARY</p> <p>THIS DOCUMENT AND THE DATE DISCLOSED HEREIN AND HEREWITH IS NOT TO BE REPRODUCED, USED, OR OTHERWISE DISCLOSED IN WHOLE OR IN PART TO ANYONE WITHOUT WRITTEN AUTHORIZATION FROM MORTECH MFG.</p>			<p>MOPEC GROUP</p> <p>411 North Aerojet Avenue Azusa, CA 91702 tel: (800) 410-0100 (626) 334-1471 fax: (626) 334-1704 www.mortechmfg.com</p>	
PROJECT		SIGNATURE		DATE		<p>TITLE</p> <p>MODEL 1036-250P</p> <p>LARGE HYDRAULIC NECROPSY TABLE</p>		
						<p>DO NOT SCALE DRAWING</p> <p>MATERIAL: 304 STAINLESS STEEL</p> <p>FINISH: #4 SATIN</p>		
						<p>APPROVALS</p> <p>D. FRADEJAS</p> <p>CHECKED BY</p> <p>APPROVED BY</p>		
						<p>DATE</p> <p>02/27/24</p>		
						<p>SIZE</p> <p>C</p> <p>SCALE</p> <p>1:14</p>		
						<p>DWG NO.</p> <p>1036-250PAP</p> <p>REV. X01</p>		
						<p>SCALE</p> <p>1:14</p> <p>NEXT ASSY.</p> <p>SHEET 7 OF 7</p>		