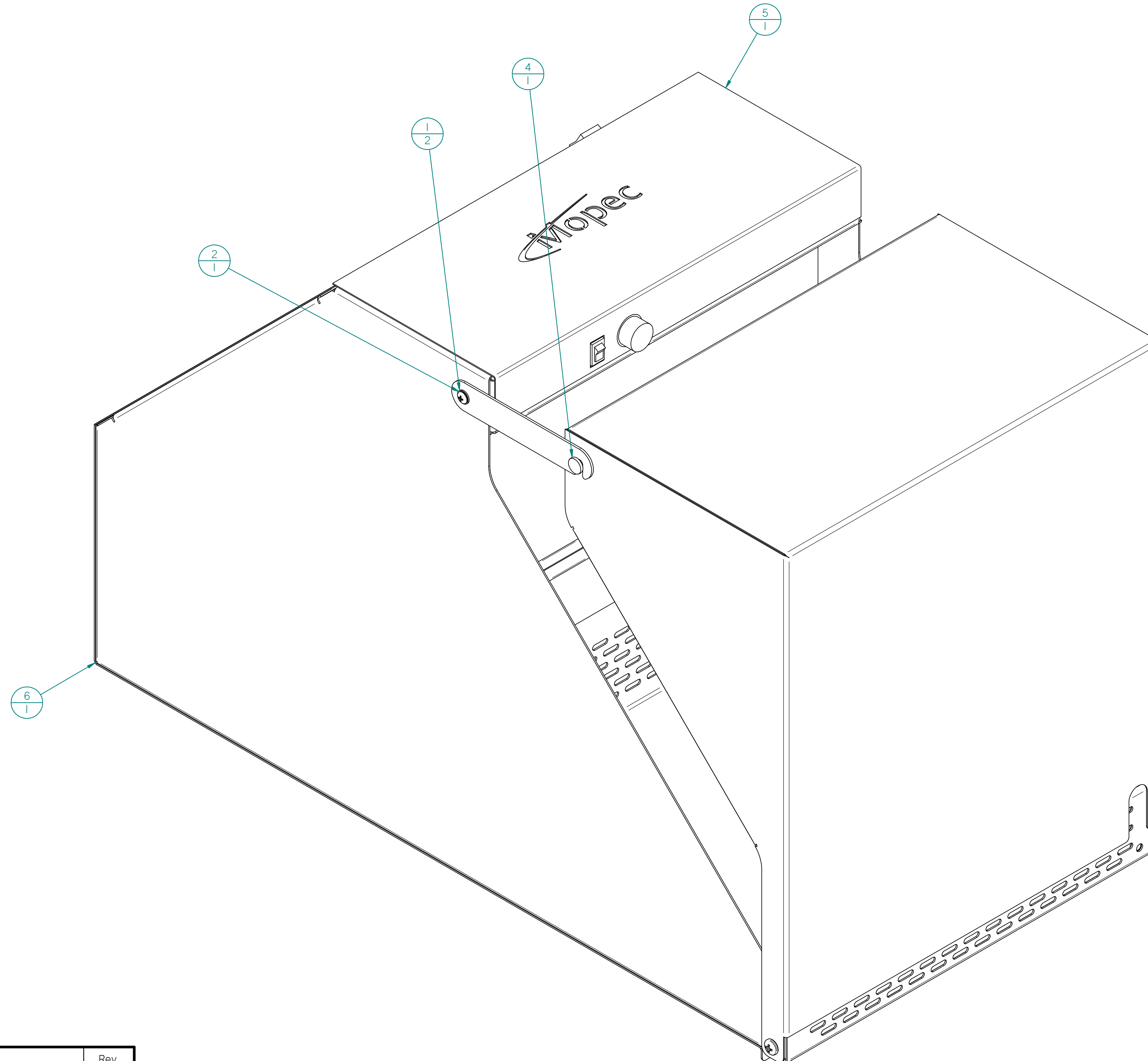


\* ASSEMBLY PLEASE ADD LABEL FOR BF400 PH0114

REV	DESCRIPTION	DATE	ECN #	APPR
A	INITIAL RELEASE	00-XXX-19	XXXXX	MM
B	VARIOUS	05-19-2015	15842	MM



Item #	Qty.	File Name	Title	Rev.
1	2	PB0032.par	WASHER - SS, #10 FLAT	A
2	1	PB0038.par	SCREW - SS, 8-32 x 3/8"L, TRUSS PHILLIPS	A
3	1	PB0484.par	#8-32 WELD NUT W/ OFFSET PILOT	A
4	1	PB0714.par	1/4" Dia. x 7/8", SS Flat Head Solid Rivet	A
5	1	PH0114-A.par	BF400 STANDARD LABEL	A
6	1	S5348-B.asm\CLOSED	BF100 VENTILATED FORMALIN CUBE	B
7	1	S6123-B.par	BF100 WIRE CHASE TUBE	B

**MOPEC LEGAL NOTE**  
 THIS DOCUMENT CONTAINS PROPRIETARY INFORMATION OF MOPEC, AND MAY NOT BE COPIED IN WHOLE OR PART, AND NO USE SHALL BE MADE OF IT OTHER THAN FOR WHICH IT HAS BEEN SUBMITTED WITHOUT THE WRITTEN PERMISSION OF A MOPEC MANAGER  
 MOPEC 2025

UNLESS OTHERWISE SPECIFIED ALL DIMENSIONS IN INCHES  
 TOLERANCES  
 0.0 ± 0.1 in  
 0.00 ± 0.05 in  
 0.000 ± 0.010 in  
 0.0000 ± 0.0010 in  
 ANGLES ±0.5°  
 BREAK ALL CORNERS 0.063 X 45°  
 ALL FILLET RADII R0.063 /0.125in  
 INSPECT OVAL DIMENSIONS

MATERIAL



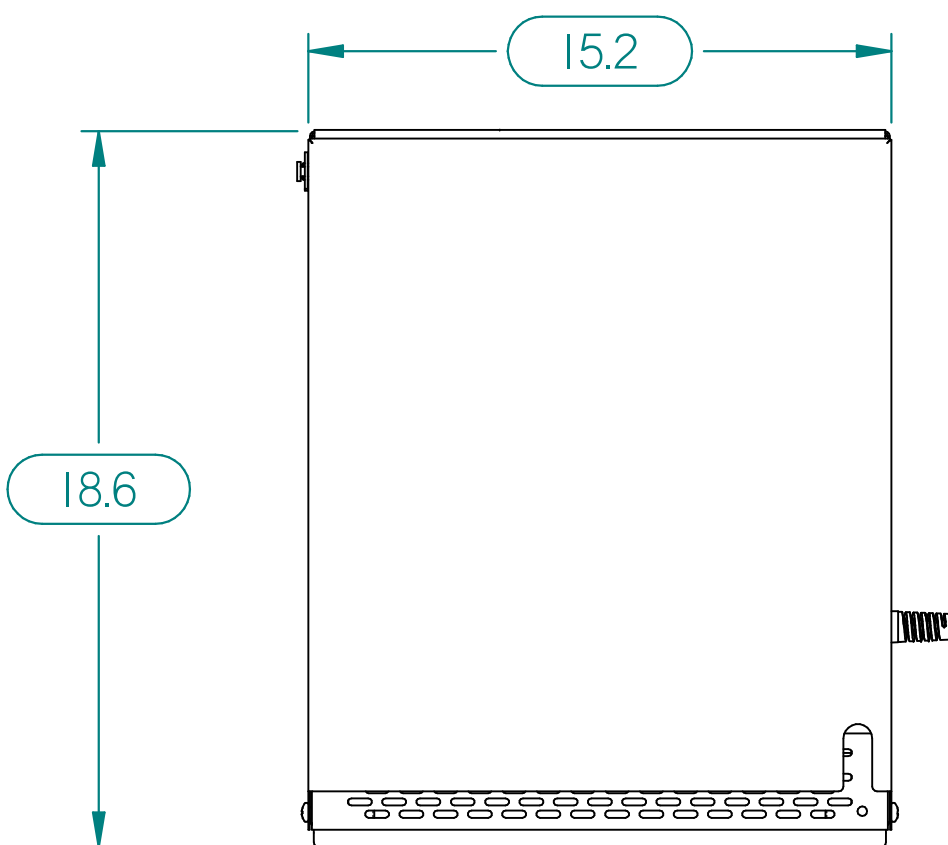
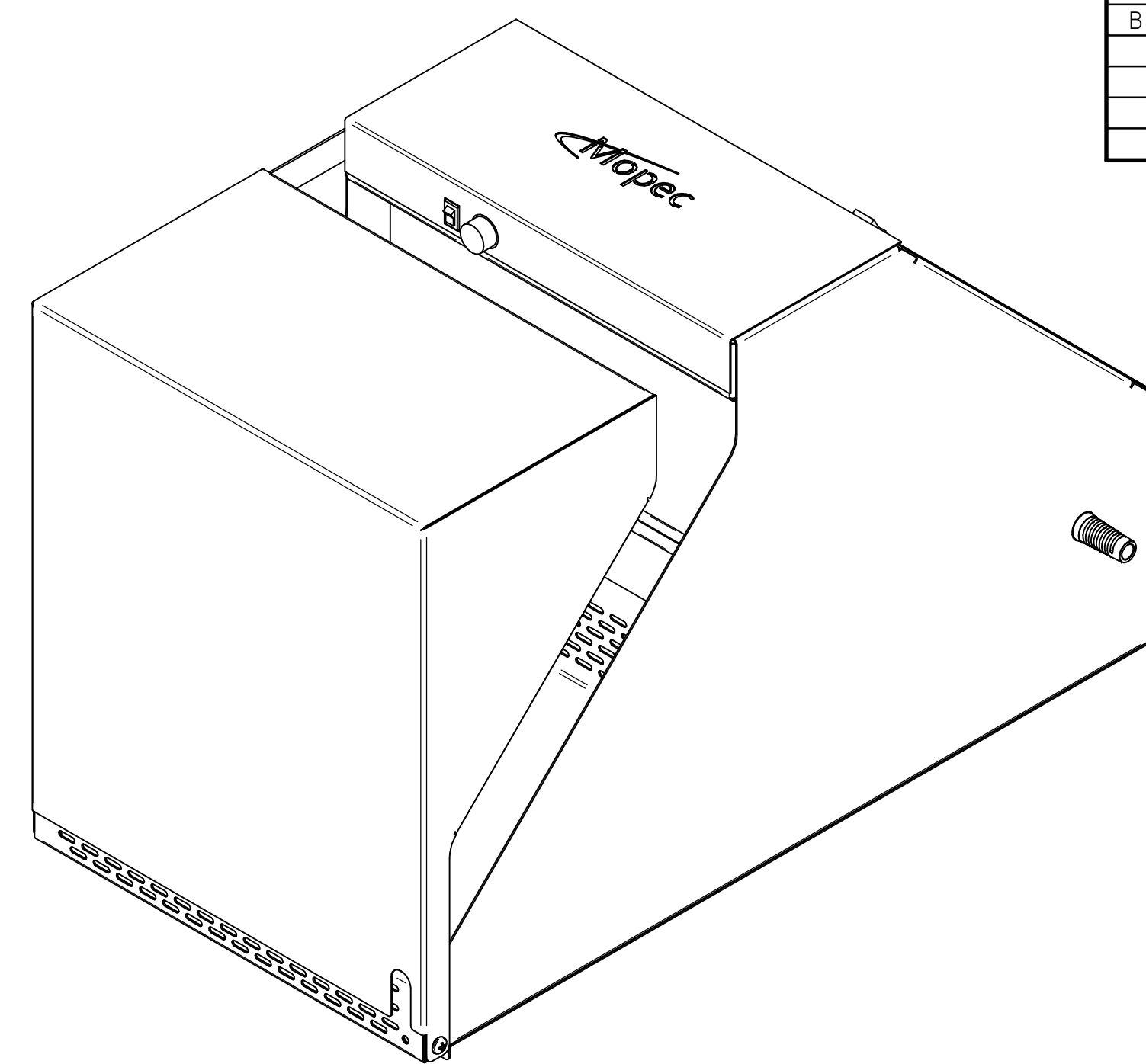
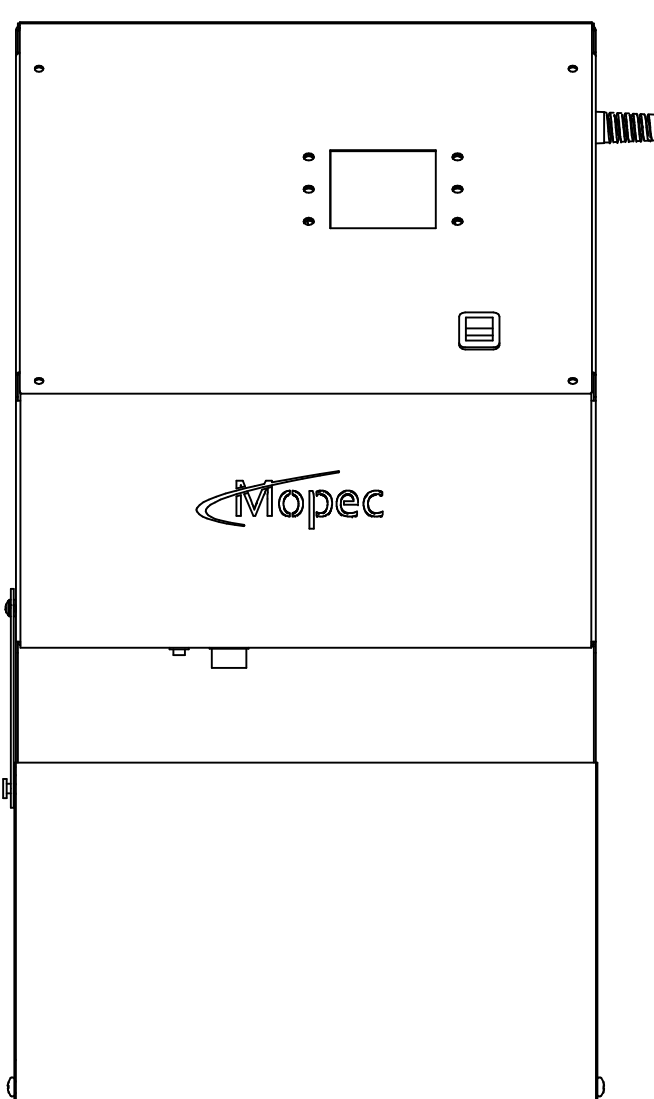
DRAWN TO 3RD ANGLE PROJECTION

DRAWN BY: jrudolph  
 DATE: 4/14/2025  
 CHECKED BY: ---  
 DATE: 4/14/2025  
 APPROVED BY: MMcCLAIN  
 DATE: 4/14/2025

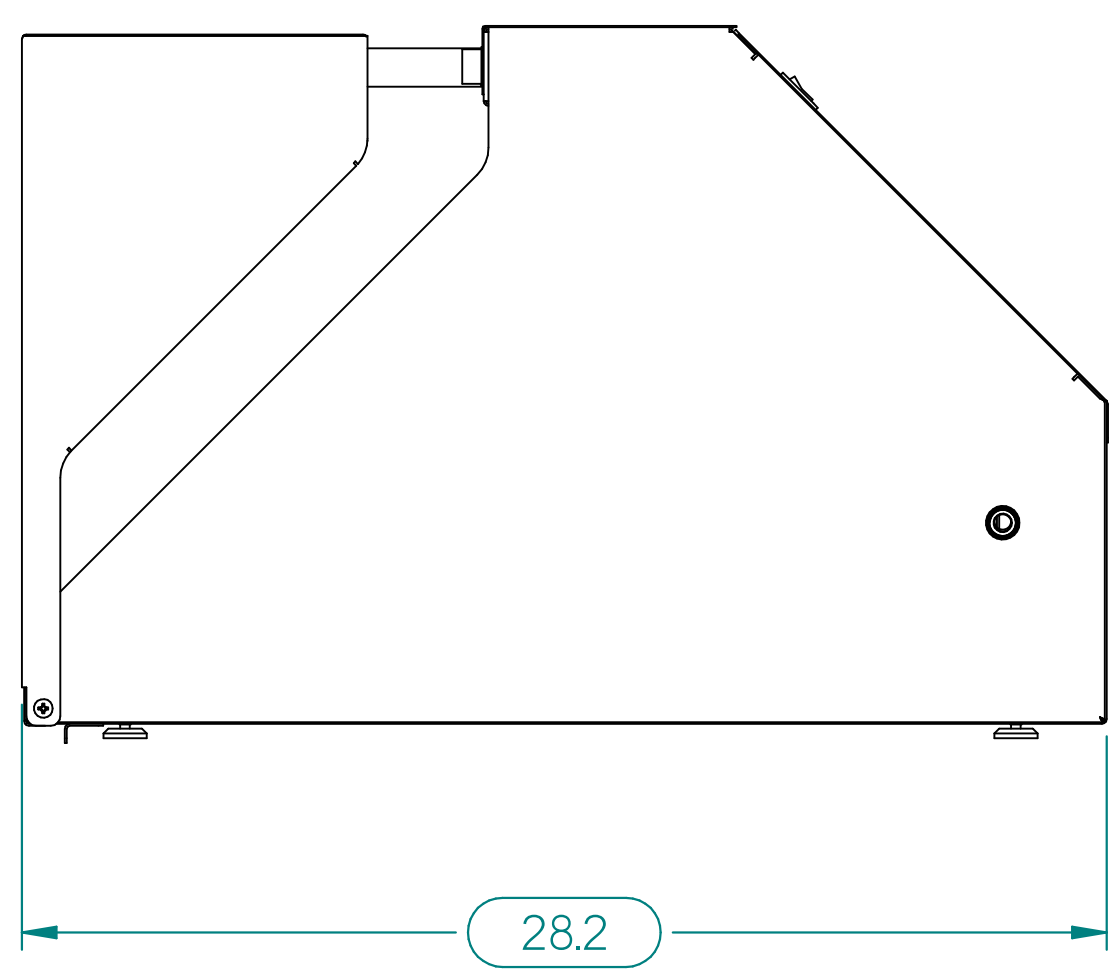
PART NUMBER: BF100-B  
 DESCRIPTION: VENTILATED FORMALIN CUBE  
 SIZE: A2  
 FILE NAME: BF100-B.dft  
 SCALE: 1:1.82  
 DO NOT SCALE IF IN DOUBT ASK  
 SHEET 1 OF 3

\*BF100-B.dft\*

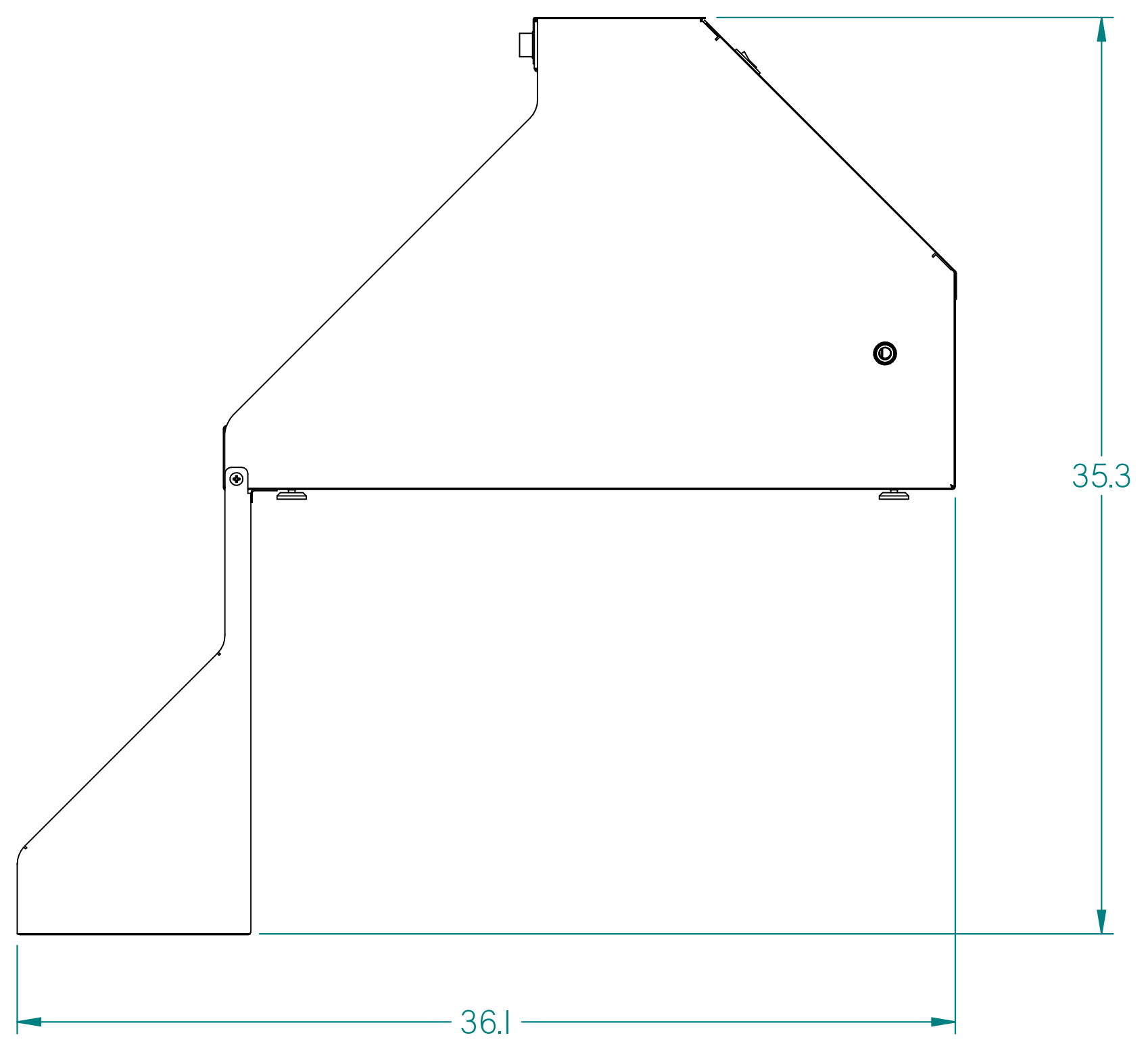
REV	DESCRIPTION	DATE	ECN #	APPR
A	INITIAL RELEASE	00-XXX-19	XXXXX	MM
B	VARIOUS	05-19-2015	15842	MM



CLOSED



OPEN



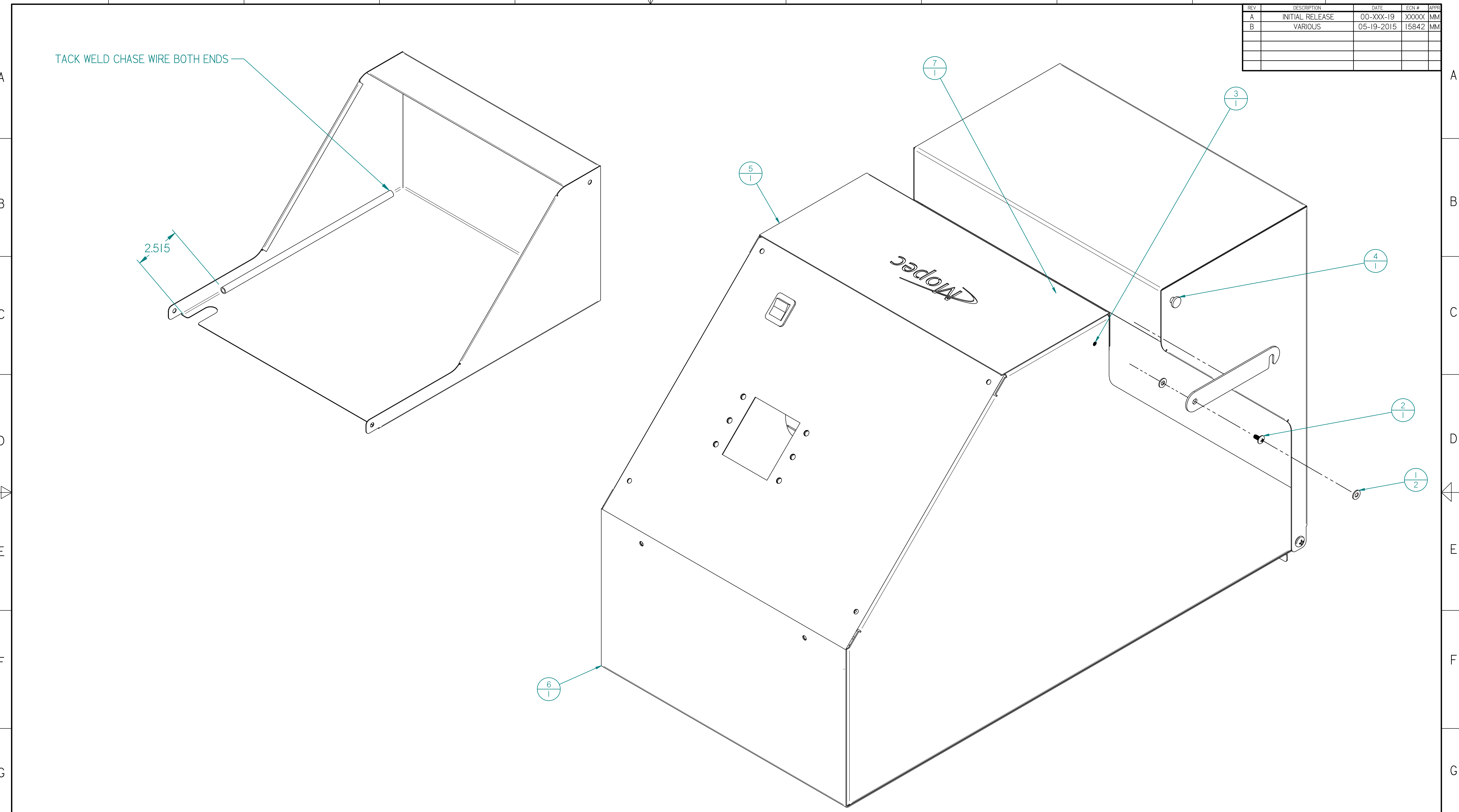
<b>MOPEC LEGAL NOTE</b> THIS DOCUMENT CONTAINS PROPRIETARY INFORMATION OF MOPEC, AND MAY NOT BE COPIED IN WHOLE OR PART, AND NO USE SHALL BE MADE OF IT OTHER THAN FOR WHICH IT HAS BEEN SUBMITTED WITHOUT THE WRITTEN PERMISSION OF A MOPEC MANAGER MOPEC 2025	UNLESS OTHERWISE SPECIFIED ALL DIMENSIONS IN INCHES TOLERANCES 0.00 ± 0.1 in 0.000 ± 0.05 in 0.0000 ± 0.010 in 0.00000 ± 0.0010 in ANGLES ±0.5° BREAK ALL CORNERS 0.063 X 45° ALL FILLET RADII R0.063 /0.125in INSPECT OVAL DIMENSIONS	MATERIAL   	  DRAWN TO 3RD ANGLE PROJECTION	DRAWN BY: jrudolph DATE: 4/14/2025 CHECKED BY: DATE: 4/14/2025 APPROVED BY: MMcCLAIN DATE: 4/14/2025	PART NUMBER: BF100-B DESCRIPTION: VENTILATED FORMALIN CUBE SIZE: A2 FILE NAME: BF100-B.dft SCALE: 1:5 DO NOT SCALE IF IN DOUBT ASK	SHEET 2 OF 3
	THIS DOCUMENT CONTAINS PROPRIETARY INFORMATION OF MOPEC, AND MAY NOT BE COPIED IN WHOLE OR PART, AND NO USE SHALL BE MADE OF IT OTHER THAN FOR WHICH IT HAS BEEN SUBMITTED WITHOUT THE WRITTEN PERMISSION OF A MOPEC MANAGER MOPEC 2025		DRAWN TO 3RD ANGLE PROJECTION	APPROVED BY: MMcCLAIN DATE: 4/14/2025	SHEET 2 OF 3	

\*BF100-B.dft\*

REV	DESCRIPTION	DATE	ECN #	APPR
A	INITIAL RELEASE	00-XXX-19	XXXXX	MM
B	VARIOUS	05-19-2015	15842	MM

TACK WELD CHASE WIRE BOTH ENDS

2.515

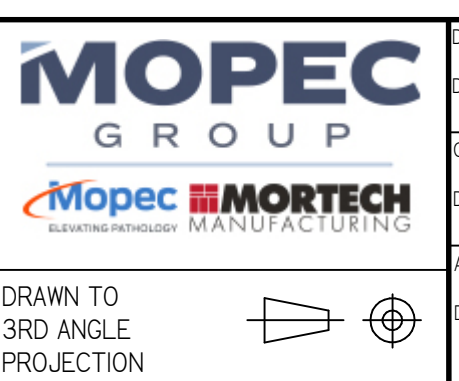


Item #	Qty.	File Name	Title	Rev.
1	2	PB0032.par	WASHER - SS, #10 FLAT	A
2	1	PB0038.par	SCREW - SS, 8-32 x 3/8"L, TRUSS PHILLIPS	A
3	1	PB0484.par	#8-32 WELD NUT W/ OFFSET PILOT	A
4	1	PB0714.par	1/4" Dia. x 7/8", SS Flat Head Solid Rivet	A
5	1	PH0114-A.par	BF400 STANDARD LABEL	A
6	1	S5348-B.asm\CLOSED	BF100 VENTILATED FORMALIN CUBE	B
7	1	S6123-B.par	BF100 WIRE CHASE TUBE	B

**MOPEC LEGAL NOTE**  
 THIS DOCUMENT CONTAINS PROPRIETARY INFORMATION OF MOPEC, AND MAY NOT BE COPIED IN WHOLE OR PART, AND NO USE SHALL BE MADE OF IT OTHER THAN FOR WHICH IT HAS BEEN SUBMITTED WITHOUT THE WRITTEN PERMISSION OF A MOPEC MANAGER  
 MOPEC 2025

UNLESS OTHERWISE SPECIFIED ALL DIMENSIONS IN INCHES  
 TOLERANCES  
 0.0 ± 0.1 in  
 0.00 ± 0.05 in  
 0.000 ± 0.010 in  
 0.0000 ± 0.0010 in  
 ANGLES ± 0.5°  
 BREAK ALL CORNERS 0.063 X 45°  
 ALL FILLET RADII R0.063 / 0.125 in  
 INSPECT OVAL DIMENSIONS

MATERIAL  
 DRAWN TO 3RD ANGLE PROJECTION



DRAWN BY: jrudolph  
 DATE: 4/14/2025  
 CHECKED BY: ---  
 DATE: 4/14/2025  
 APPROVED BY: M.McCLAIN  
 DATE: 4/14/2025

PART NUMBER: BF100-B  
 DESCRIPTION: VENTILATED FORMALIN CUBE  
 SIZE: A2  
 FILE NAME: BF100-B.dft  
 SCALE: 1:2.5  
 DO NOT SCALE IF IN DOUBT ASK  
 SHEET 3 OF 3

\*BF100-B.dft\*