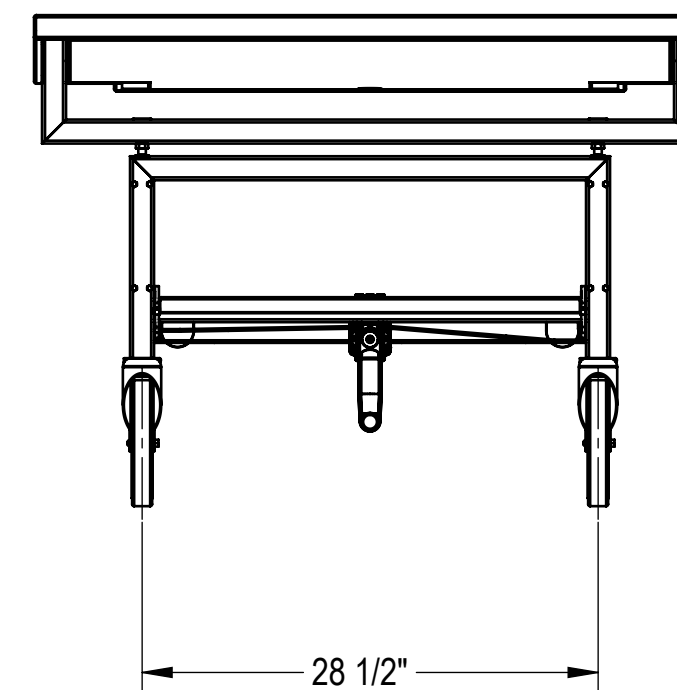
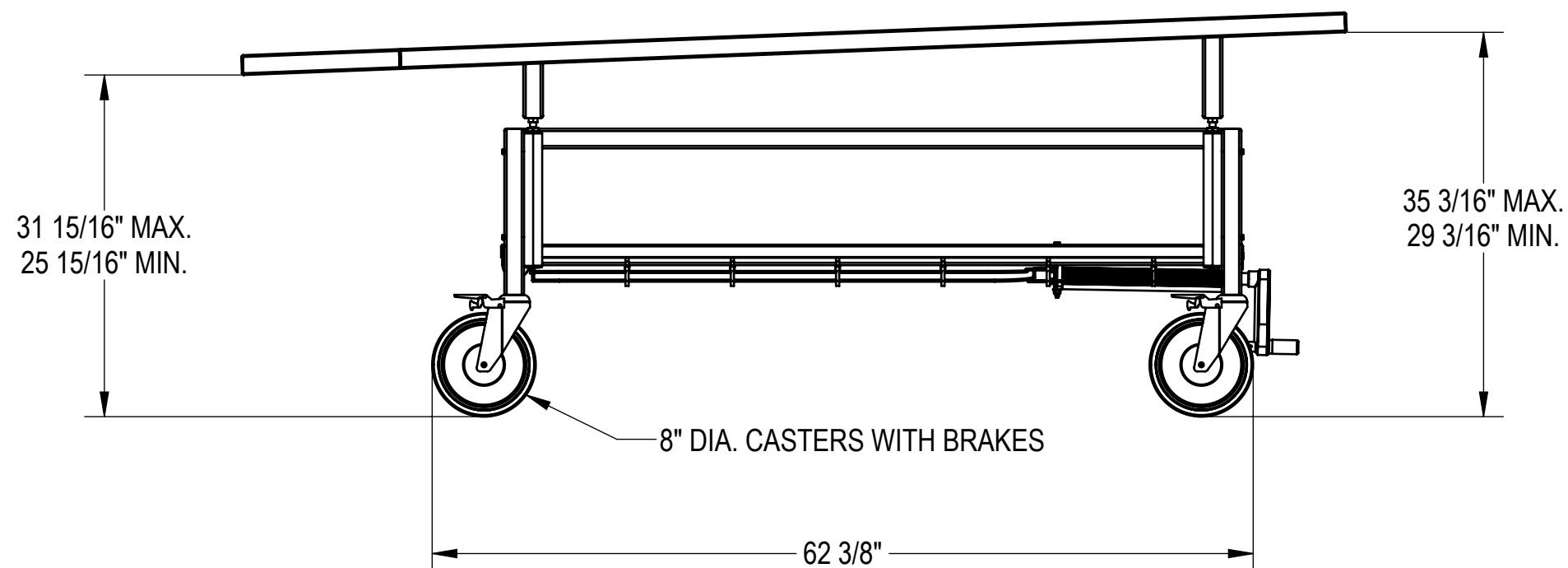
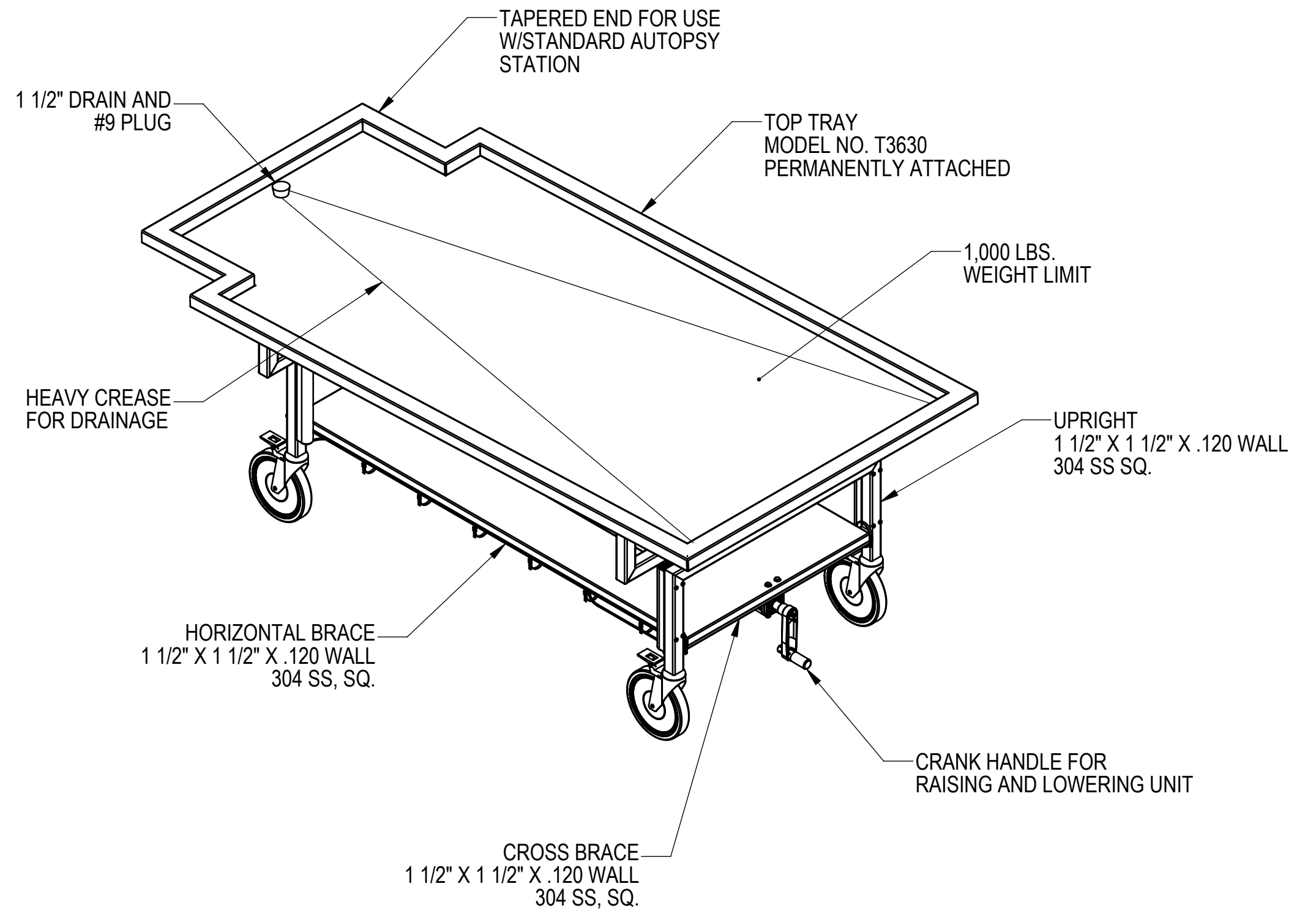
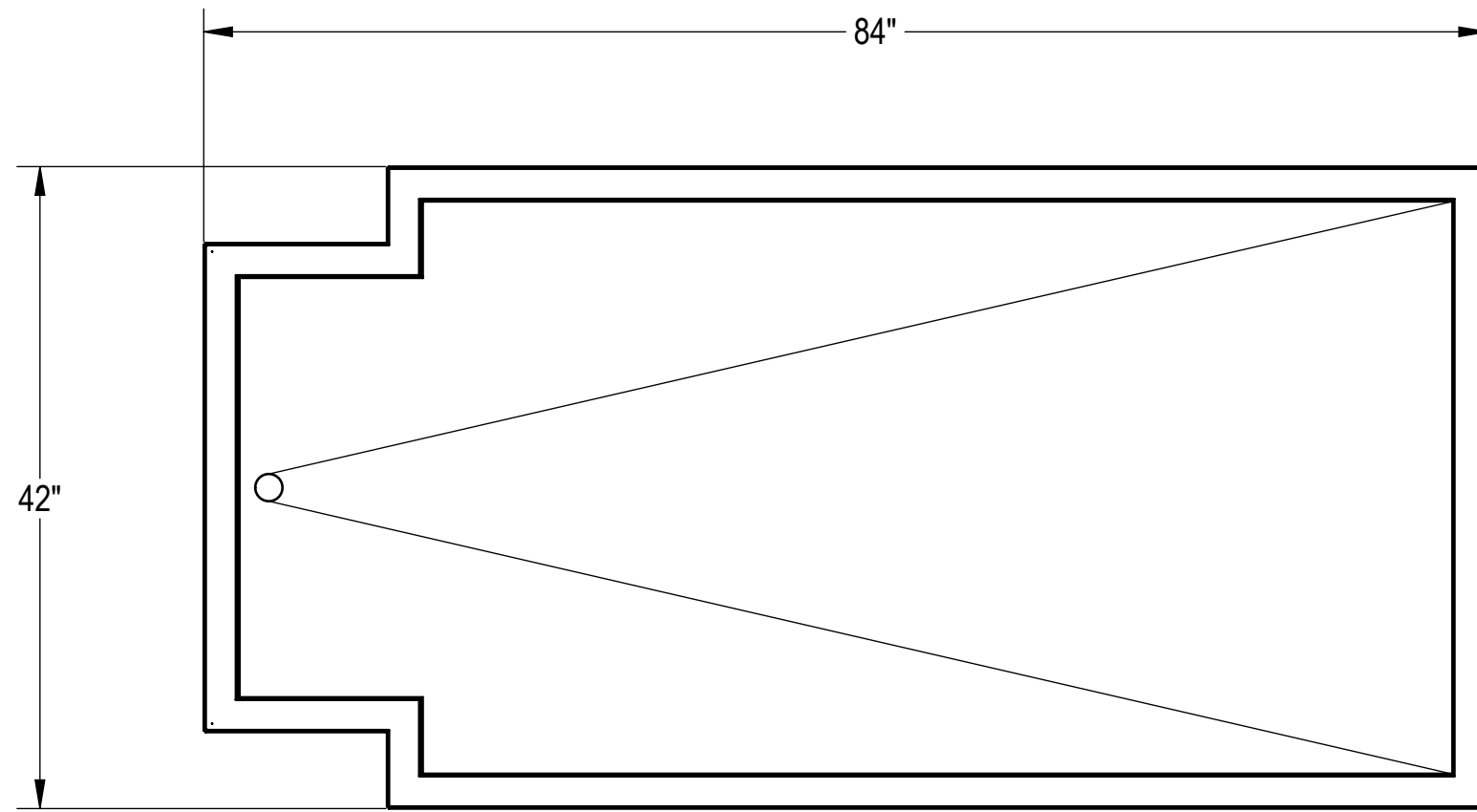


NOTES: UNLESS OTHERWISE SPECIFIED

1. APPLICABLE STANDARDS AND SPECIFICATIONS;
ASME Y14.5-2009, DIMENSIONING AND TOLERANCING
ASME Y14.5-2007, ABBREVIATIONS

REVISIONS				
REV.	DCN#	DESCRIPTION	DATE	CHANGED/APPROVED
X01		PRELIMINARY RELEASE	10/07/22	YG/



CUSTOMER CUSTOMER NAME		APPROVAL		PROPRIETARY THIS DOCUMENT AND THE DATE DISCLOSED HEREIN AND HEREWITH IS NOT TO BE REPRODUCED, USED, OR OTHERWISE DISCLOSED IN WHOLE OR IN PART TO ANYONE WITHOUT WRITTEN AUTHORIZATION FROM MORTECH MFG.			MOPEC GROUP 411 North Aerojet Avenue Azusa, CA 91702 tel: (800) 410-0100 (626) 334-1471 fax: (626) 334-1704 www.mortechmfg.com	
PROJECT LINE 1 LINE 2		SIGNATURE		DATE		TITLE MODEL 600009HC2 HYDRAULIC BARIATRIC CARRIER CHASSIS		
				DO NOT SCALE DRAWING MATERIAL 304 STAINLESS STEEL FINISH GRAINED		APPROVALS DRAWN BY YULISSA G. CHECKED BY DATE 10/7/2022 APPROVED BY		
				SIZE C SCALE 1:12		DWG NO. 600009HC2AP NEXT ASSY. SHEET 1 OF 1		
						REV. X01		