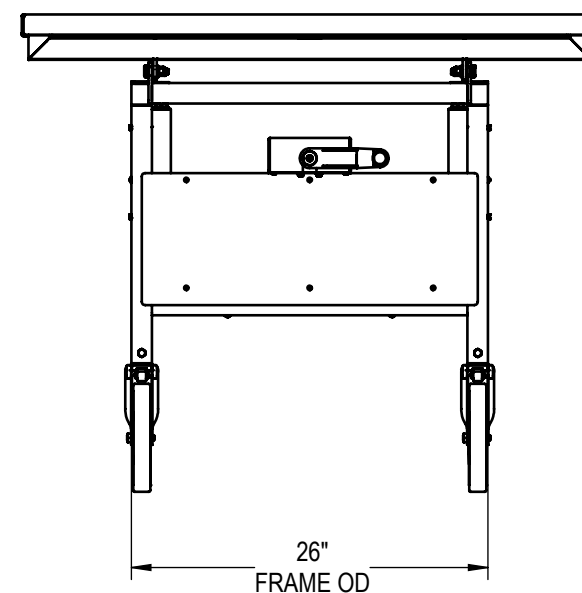
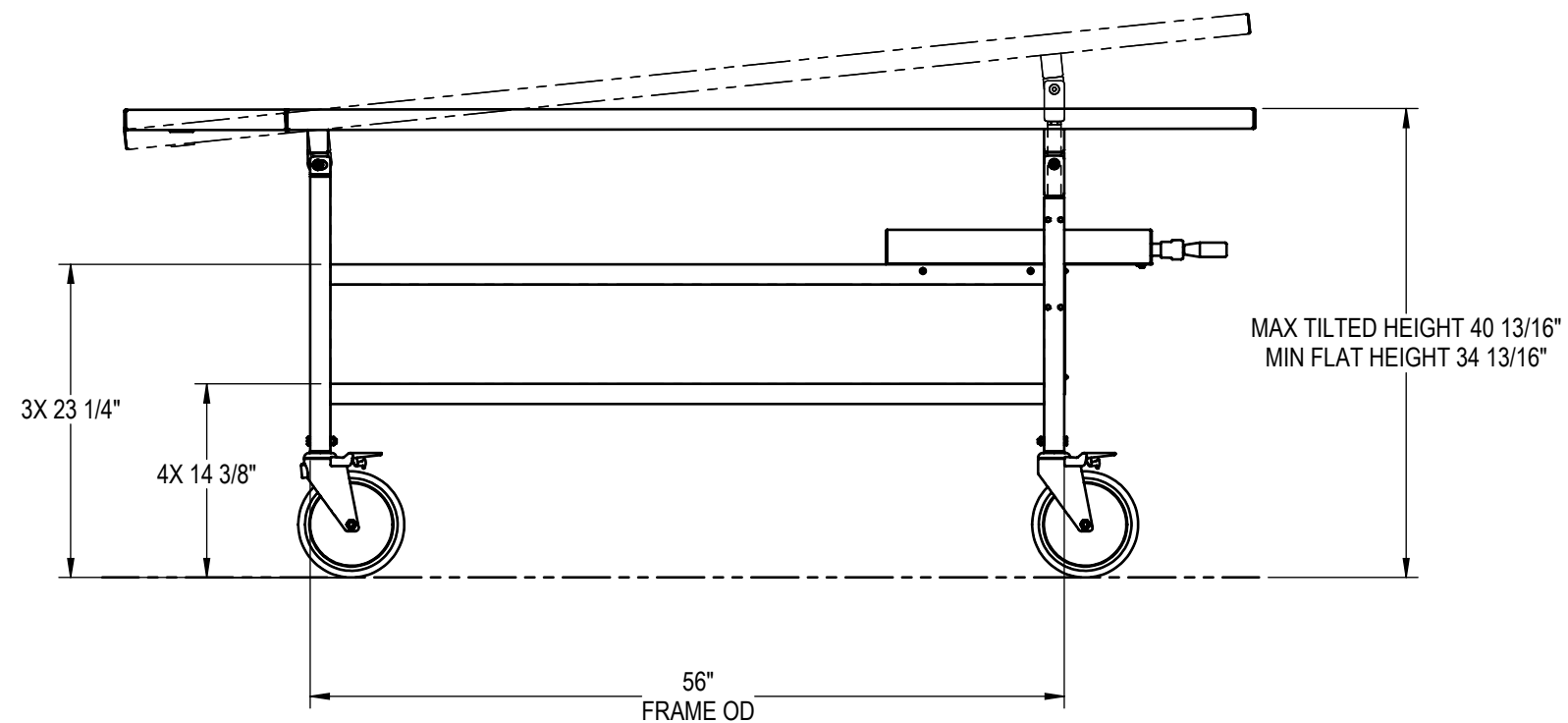
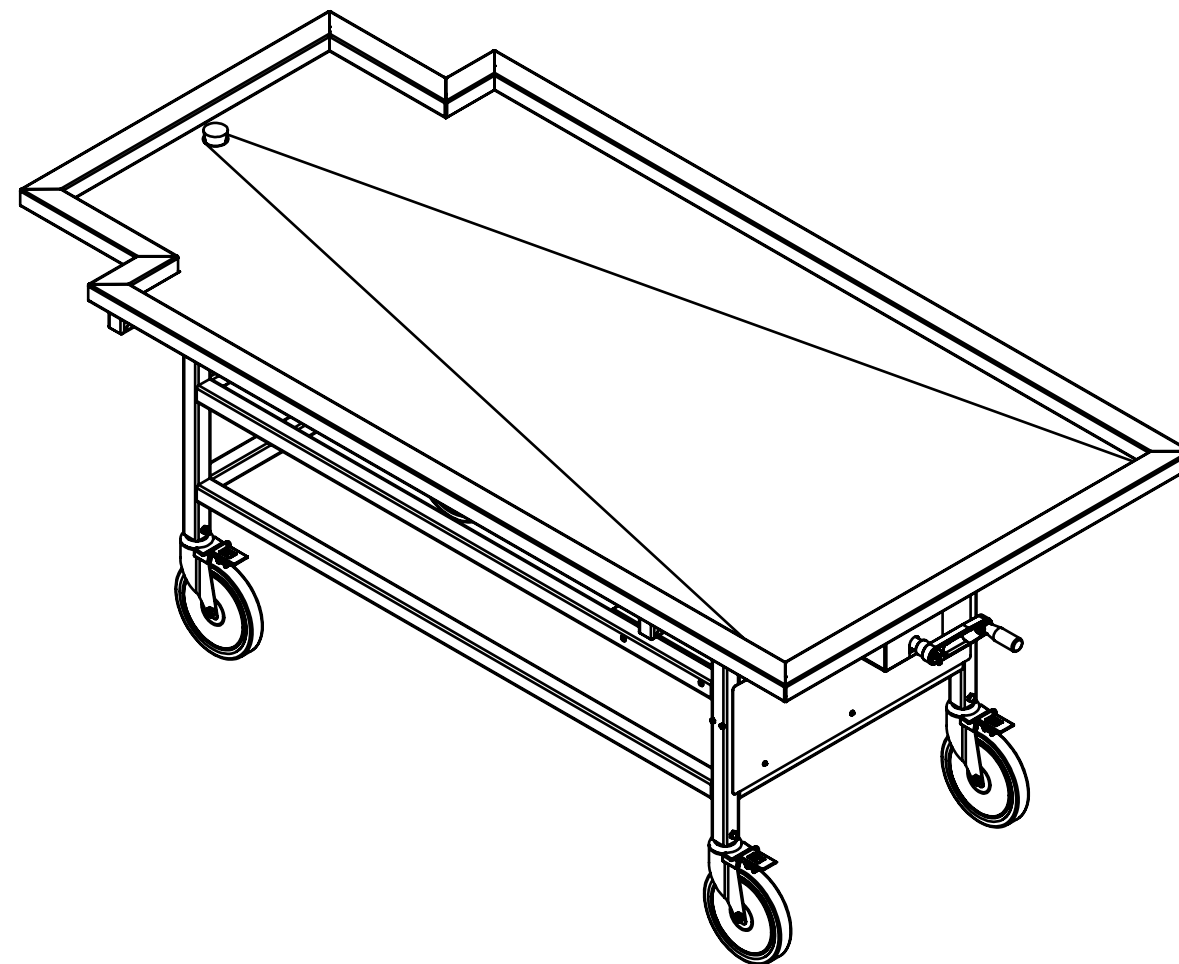
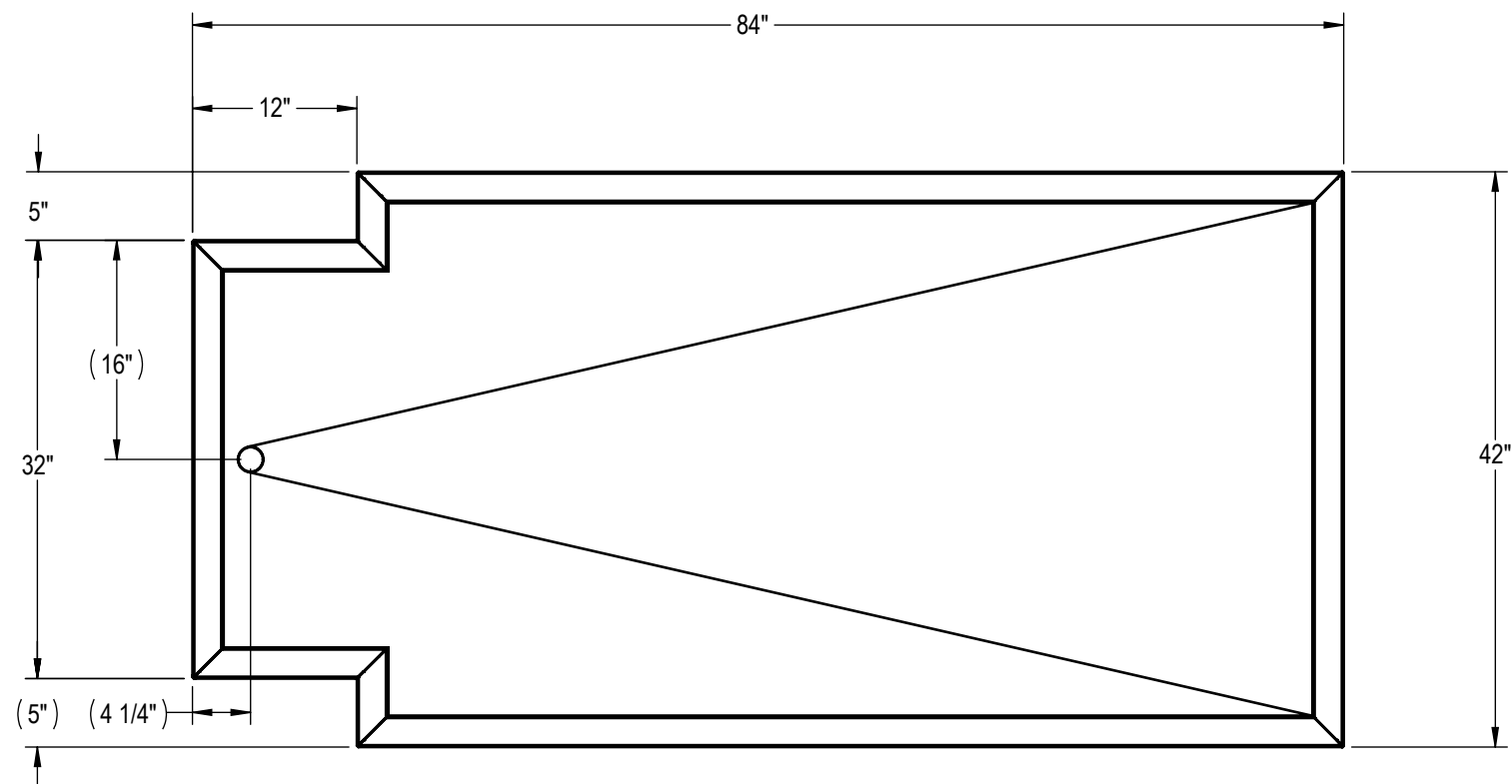


NOTES: UNLESS OTHERWISE SPECIFIED

1. APPLICABLE TO STANDARDS AND SPECIFICATIONS;
ASME Y14.5-2009, DIMENSIONS AND TOLERANCES
ASME Y14.38-2007, ABBREVIATIONS

2. CLEAN AND POLISH ALL WELDED AREAS.

REVISIONS				
REV.	DCN#	DESCRIPTION	DATE	CHANGED/APPROVED
X01		PRELIMINARY RELEASE	03/08/19	BW/RR



TOLERANCE BLOCK: DIMENSIONS ARE IN INCHES DECIMALS .X ± .1 ANGLES ± 1° DECIMALS .XX ± .01 FRACTIONS ± 1/16" DECIMALS .XXX ± .005		PROPRIETARY THIS DOCUMENT AND THE DATE DISCLOSED HEREIN AND HERewith IS NOT TO BE REPRODUCED, USED, OR OTHERWISE DISCLOSED IN WHOLE OR IN PART TO ANYONE WITHOUT WRITTEN AUTHORIZATION FROM MORTECH MFG.		 MOPEC GROUP <small>MANUFACTURING</small>		411 North Aerojet Avenue Azusa, CA 91702 TEL: (800) 410-0100 (626) 334-1471 FAX: (626) 334-1704 www.mortechmfg.com	
DO NOT SCALE DRAWING		APPROVALS		DATE		TITLE	
SEE PARTS LIST		DRAWN BY		DATE		SIZE	
FINISH		CHECKED BY		DATE		DWG NO.	
		APPROVED BY		DATE		SCALE	
				01/28/19		B	
		RICK R.		03/08/19		600009HC1	
						X01	
				1:14		1 OF 3	

HYDRAULIC BARIATRIC CARRIER CHASSIS- WITH REAR END ELEVATION