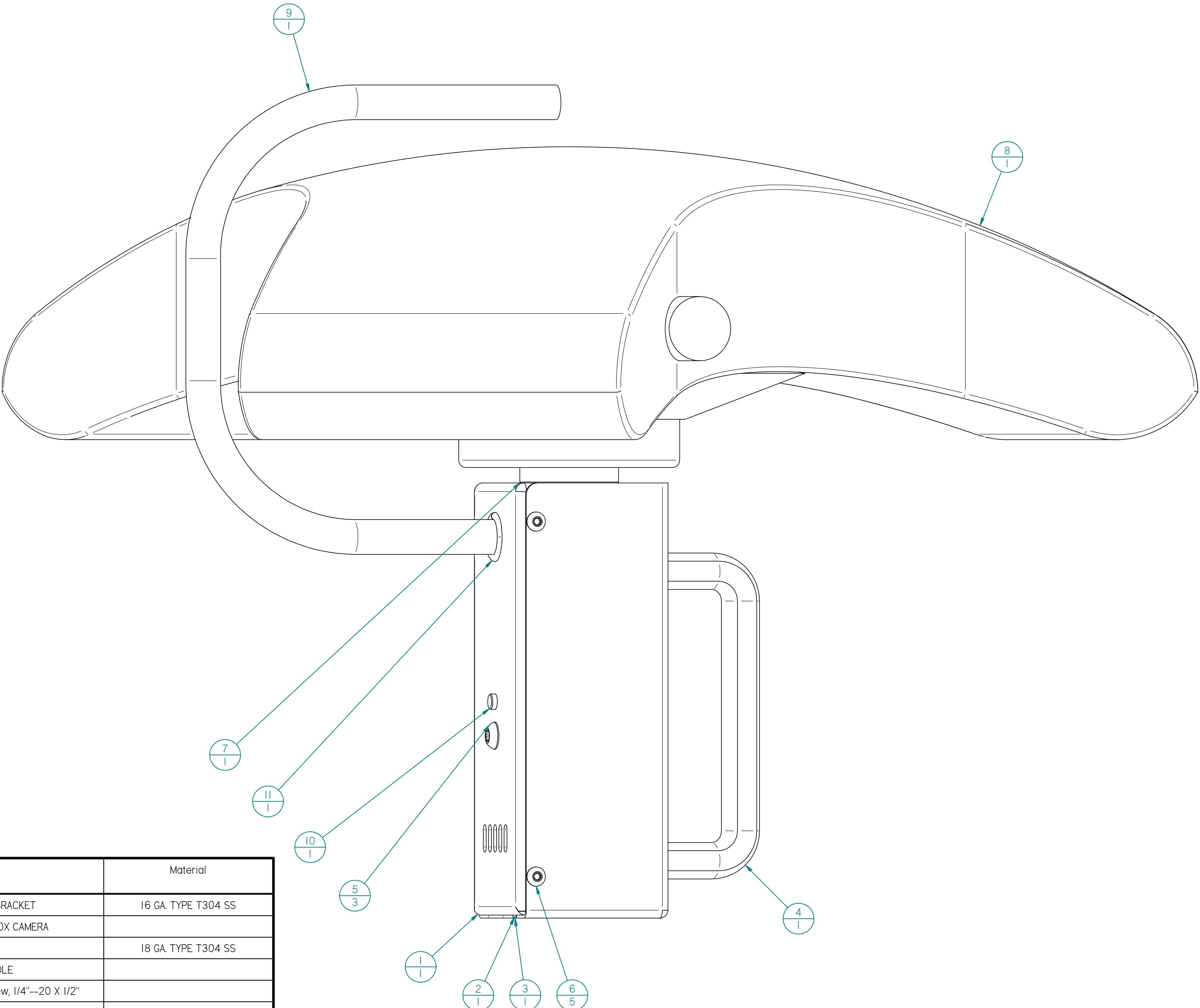


REV	DESCRIPTION	DATE	ECN #	APPR
A	INITIAL RELEASE	00-XXX-19	XXXXX	MM

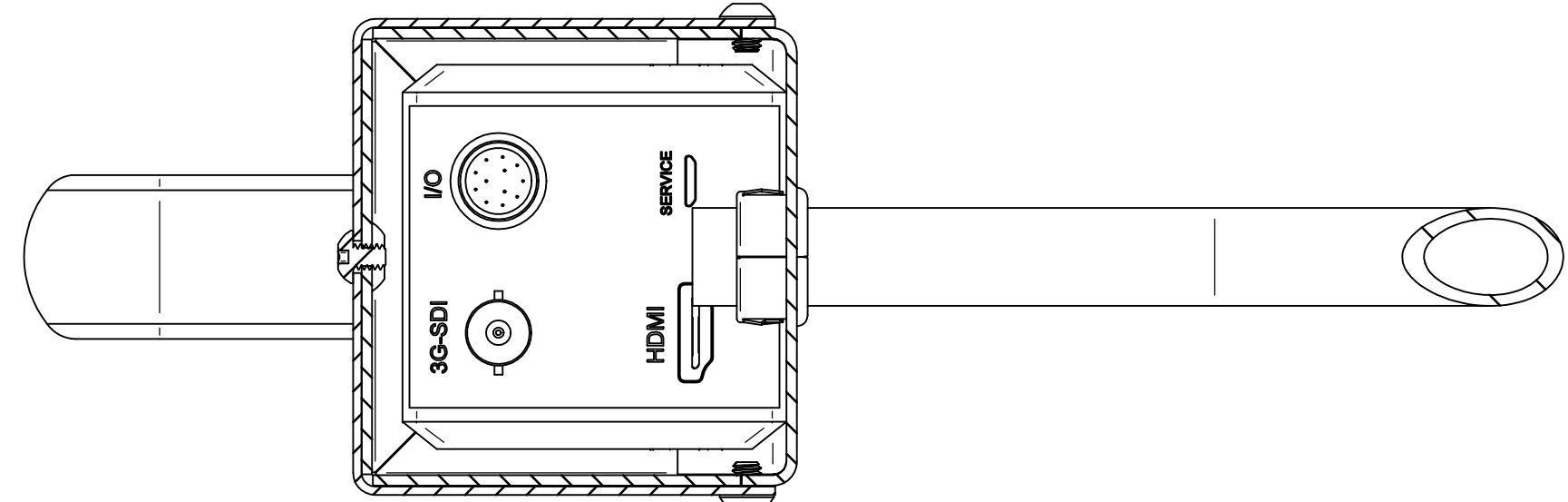
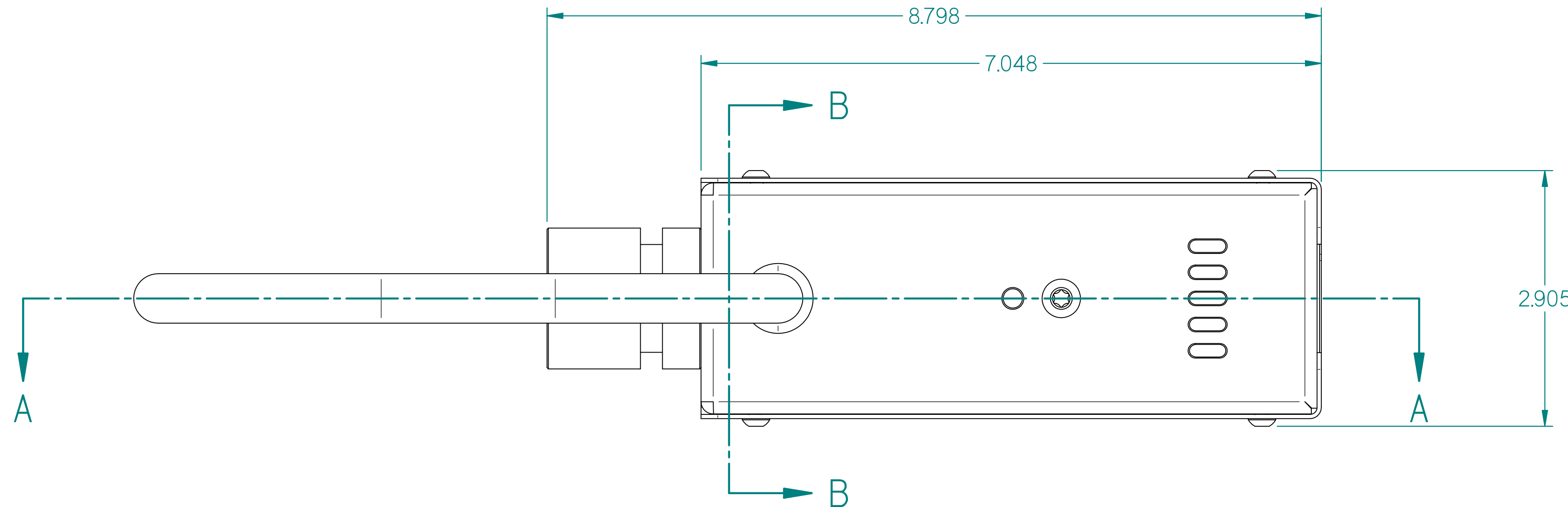


Item Number	Quantity	File Name	Title	Material
1	1	BBI05-000-01.psm	CAMERA MOUNT BRACKET	16 GA. TYPE T304 SS
2	1	PE0699HD.par	MARSHALL CV355-10X CAMERA	
3	1	BBI05-000-02.psm	COVER	18 GA. TYPE T304 SS
4	1	PM0877.par	BRIDGE HANDLE	
5	3	PB0709.par	SS Button Head Torx Screw, 1/4"-20 X 1/2"	
6	5	PB0707.par	SS Button Head Torx Screws, 8-32 X 3/16"	
7	1	BBI05-000-03.par	MOUNTING POST	RM0676, ROD, AL, 1-5/8" DIA, 7075
8	1	BBI40.par	LED LIGHT ASSEMBLY	
9	1	PE1007.par	Slit Corrugated Sleeving	
10	1	BBI05-000-04.par	LOCATION PIN	RM0015, ROD, SS, 1/4" DIA, 304
11	1	PE1006.par	OPEN/CLOSED BUSHING	
12	3	PB0894.par	SS Button Head Torx Screw, 8-32 X 5/16"	

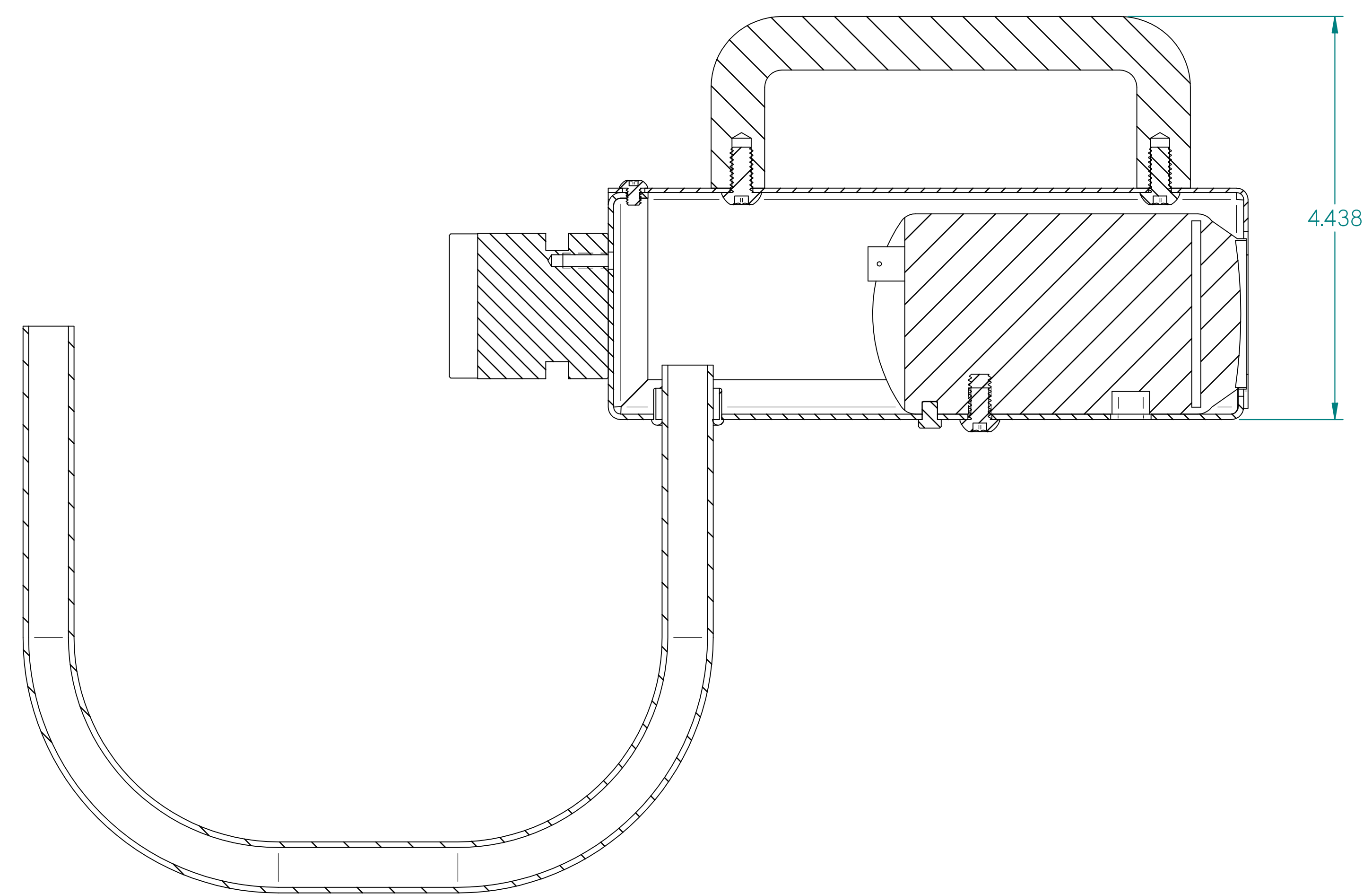
<p>THIS DOCUMENT CONTAINS PROPRIETARY INFORMATION OF MOPEC, AND MAY NOT BE COPIED IN WHOLE OR PART, AND NO USE SHALL BE MADE OF IT OTHER THAN FOR WHICH IT HAS BEEN SUBMITTED WITHOUT THE WRITTEN PERMISSION OF A MOPEC MANAGER</p> <p>MOPEC 2021</p>	<p>UNLESS OTHERWISE SPECIFIED: ALL DIMENSIONS IN INCHES</p> <p>TOLERANCES</p> <table> <tr><td>0.0</td><td>+ 0.1 in</td></tr> <tr><td>0.00</td><td>+ 0.05 in</td></tr> <tr><td>0.000</td><td>+ 0.010 in</td></tr> <tr><td>0.0000</td><td>+ 0.0010 in</td></tr> </table> <p>ANGLES ±0.5°</p> <p>BREAK ALL CORNERS 0.063 X 45°</p> <p>ALL FILLET RADI R0.063 /0.125in</p> <p>INSPECT OVAL DIMENSIONS</p>	0.0	+ 0.1 in	0.00	+ 0.05 in	0.000	+ 0.010 in	0.0000	+ 0.0010 in	<p>MATERIAL:</p>	<p>MOPEC GROUP</p> <p>MORTECH</p> <p>800 Tech Row, Madison Heights, MI 48071</p>	<p>DRAWN BY: dstewart2</p> <p>DATE: 6/3/2025</p> <p>CHECKED BY: ---</p> <p>DATE: 6/3/2025</p> <p>APPROVED BY: M.McCLAIN</p> <p>DATE: 6/3/2025</p>	<p>PART NUMBER: BBI05-000</p> <p>DESCRIPTION:</p> <p>FILE NAME: BBI05-000.dft</p> <p>SCALE: 1:1</p> <p>DO NOT SCALE IF IN DOUBT ASK</p>	<p>REV: B</p> <p>SHEET 1 OF 3</p>
	0.0	+ 0.1 in												
0.00	+ 0.05 in													
0.000	+ 0.010 in													
0.0000	+ 0.0010 in													
<p>DRAWN TO 3RD ANGLE PROJECTION</p>		<p>SCALE: 1:1</p>	<p>DO NOT SCALE IF IN DOUBT ASK</p>	<p>SHEET 1 OF 3</p>										



REV	DESCRIPTION	DATE	ECN #	APPR
A	INITIAL RELEASE	00-XXX-19	XXXXX	MM



SECTION B-B

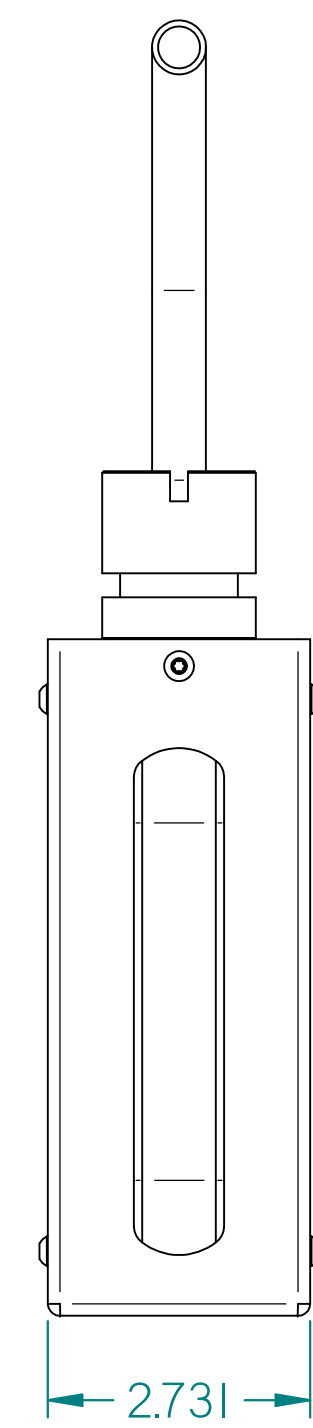
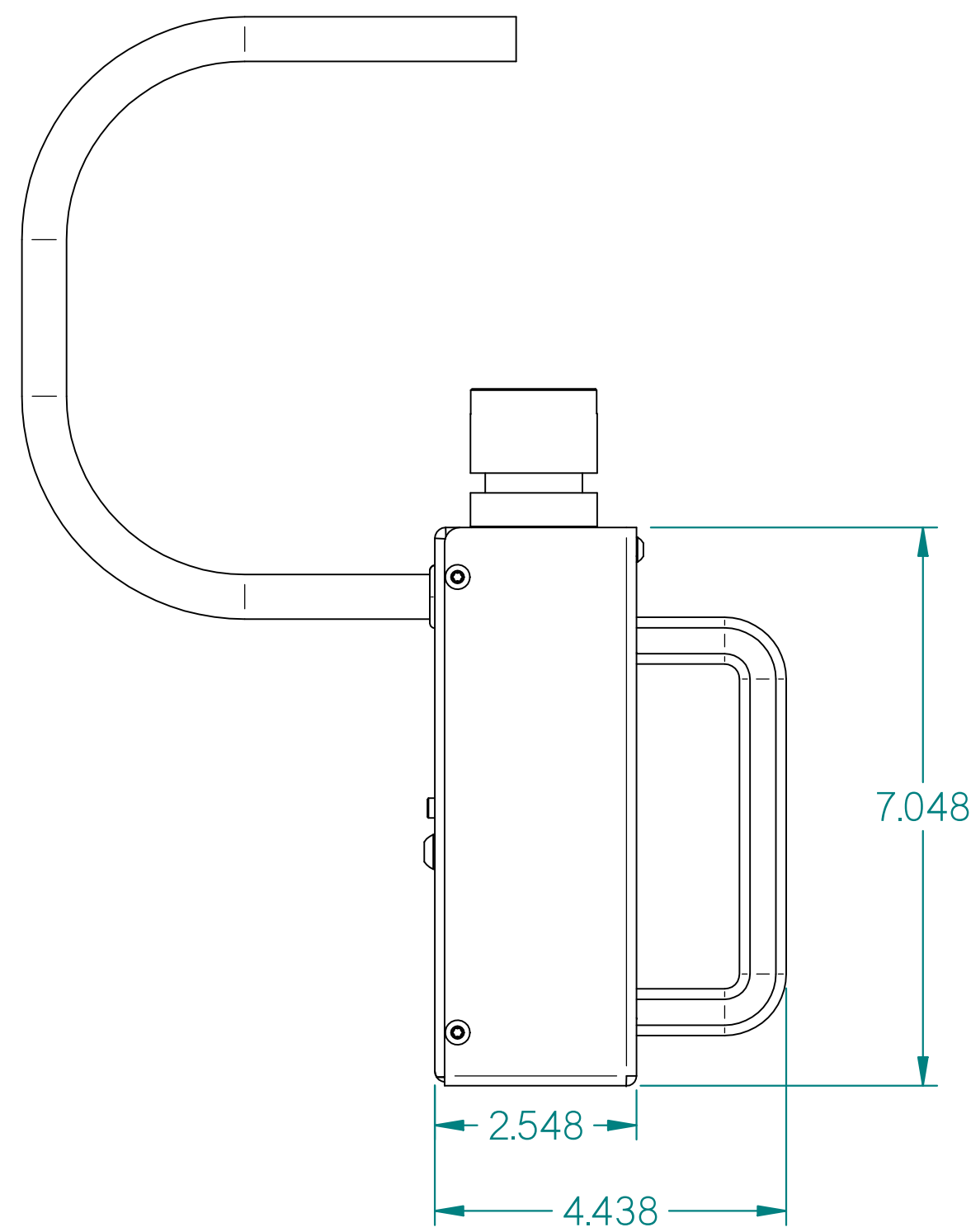
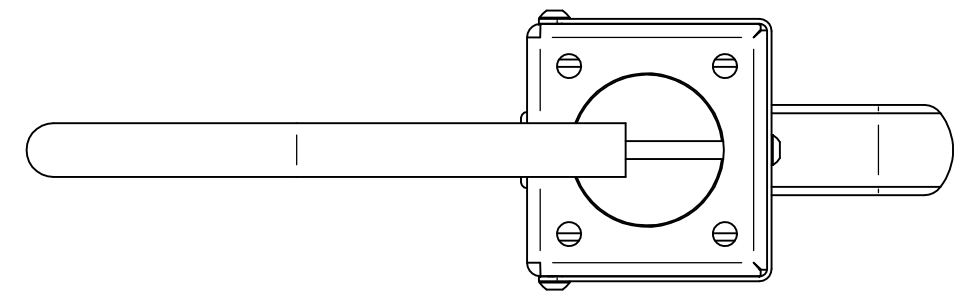


SECTION A-A

<p>THIS DOCUMENT CONTAINS PROPRIETARY INFORMATION OF MOPEC, AND MAY NOT BE COPIED IN WHOLE OR PART, AND NO USE SHALL BE MADE OF IT OTHER THAN FOR WHICH IT HAS BEEN SUBMITTED WITHOUT THE WRITTEN PERMISSION OF A MOPEC MANAGER</p> <p>MOPEC 2021</p>	<p>UNLESS OTHERWISE SPECIFIED, ALL DIMENSIONS IN INCHES</p> <p>TOLERANCES</p> <table border="0"> <tr> <td>0.0</td> <td>± 0.1 in</td> </tr> <tr> <td>0.00</td> <td>± 0.05 in</td> </tr> <tr> <td>0.000</td> <td>± 0.010 in</td> </tr> <tr> <td>0.0000</td> <td>± 0.0010 in</td> </tr> </table> <p>ANGLES ±0.5°</p> <p>BREAK ALL CORNERS 0.063 X 45°</p> <p>ALL FILLET RADI R0.063 10/125in</p> <p>INSPECT OVAL DIMENSIONS</p>	0.0	± 0.1 in	0.00	± 0.05 in	0.000	± 0.010 in	0.0000	± 0.0010 in	<p>MATERIAL:</p>	<p>MOPEC GROUP</p> <p>MORTECH</p> <p>800 Tech Row, Madison Heights, MI 48071</p>	<p>DRAWN BY: dstewart2</p> <p>DATE: 6/3/2025</p>	<p>PART NUMBER: BB105-000</p>
		0.0	± 0.1 in										
0.00	± 0.05 in												
0.000	± 0.010 in												
0.0000	± 0.0010 in												
<p>DRAWN TO 3RD ANGLE PROJECTION</p>	<p>CHECKED BY: ---</p> <p>DATE: 6/3/2025</p>	<p>APPROVED BY: MMcCLAIN</p> <p>DATE: 6/3/2025</p>	<p>DESCRIPTION:</p>	<p>SCALE: 1:1</p>	<p>DO NOT SCALE IF IN DOUBT ASK</p>								



REV	DESCRIPTION	DATE	ECN #	APPR
A	INITIAL RELEASE	00-XXX-19	XXXXX	MM



<p>THIS DOCUMENT CONTAINS PROPRIETARY INFORMATION OF MOPEC, AND MAY NOT BE COPIED IN WHOLE OR PART, AND NO USE SHALL BE MADE OF IT OTHER THAN FOR WHICH IT HAS BEEN SUBMITTED WITHOUT THE WRITTEN PERMISSION OF A MOPEC MANAGER</p> <p>MOPEC 2021</p>	<p>UNLESS OTHERWISE SPECIFIED, ALL DIMENSIONS IN INCHES</p> <p>TOLERANCES</p> <table> <tr><td>0.0</td><td>± 0.1 in</td></tr> <tr><td>0.00</td><td>± 0.05 in</td></tr> <tr><td>0.000</td><td>± 0.010 in</td></tr> <tr><td>0.0000</td><td>± 0.0010 in</td></tr> </table> <p>ANGLES ±0.5°</p> <p>BREAK ALL CORNERS 0.063 X 45°</p> <p>ALL FILLET RADI R0.063 (0.125in)</p> <p>INSPECT OVAL DIMENSIONS</p>	0.0	± 0.1 in	0.00	± 0.05 in	0.000	± 0.010 in	0.0000	± 0.0010 in	<p>MATERIAL</p>	<p>MOPEC GROUP</p> <p>MORTECH</p> <p>800 Tech Row, Madison Heights, MI 48071</p>	<p>DRAWN BY: dstewart2</p> <p>DATE: 6/3/2025</p> <p>CHECKED BY: ---</p> <p>DATE: 6/3/2025</p> <p>APPROVED BY: M.McCLAIN</p> <p>DATE: 6/3/2025</p>	<p>PART NUMBER: BB105-000</p> <p>DESCRIPTION:</p> <p>SIZE: A2</p> <p>SCALE: 1:2</p>	<p>FILE NAME: BB105-000.dft</p> <p>DO NOT SCALE IF IN DOUBT ASK</p>	<p>REV: B</p> <p>SHEET 3 OF 3</p>
	0.0	± 0.1 in													
0.00	± 0.05 in														
0.000	± 0.010 in														
0.0000	± 0.0010 in														
<p>DRAWN TO 3RD ANGLE PROJECTION</p>		<p>800 Tech Row, Madison Heights, MI 48071</p>		<p>SCALE: 1:2</p>		<p>SHEET 3 OF 3</p>									

