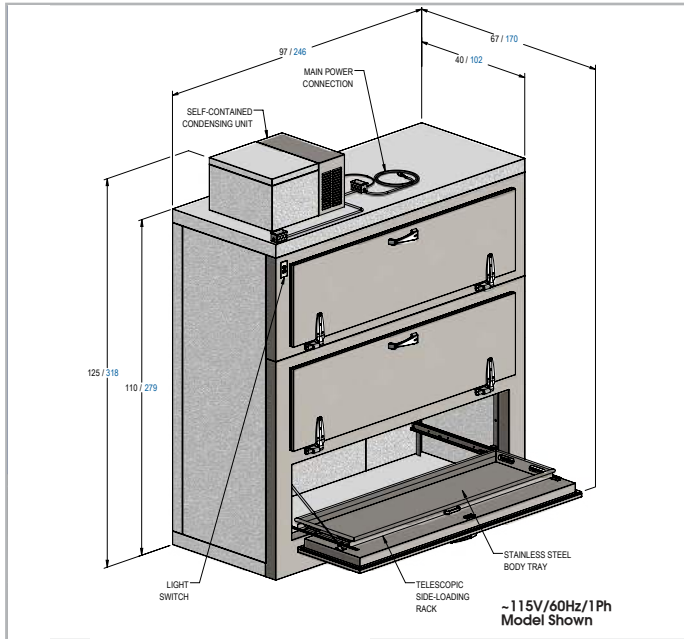


Morgue Refrigerator (3 Body), Side Opening - KC1300

Side opening conveyor or telescoping morgue refrigerators are designed with individual doors. A conveyor or telescoping mechanism fully supports the body tray. When the door is opened, the body tray and cadaver are displayed in full side view.



SPECIFICATIONS

Construction

- Front: Stainless steel with a no. 4 finish
- Top, sides, back, interior: Stucco embossed galvanized
- Interior flooring: Smooth aluminum with plywood reinforced understructure
- Insulation: 4" foamed in place urethane
- (3) Smooth and quiet rack slide rails using special Delrin rollers
- Overlap door with magnetic gasket

Materials

- Stainless steel and stucco embossed aluminum exterior
- Heavy-duty chrome-plated hardware for long lasting use
- Stainless steel removable trays

Dimensions

- Overall: 97" W x 40" D x 125" H
- Doors: 84" W x 22" H

Utilities / Power

- 115V / 60Hz / 1 Ph
- 208-230V / 50-60Hz / 1 Ph available (may affect dimensions & features)

Controls

- Vapor proof light with switch

Performance

- Drop-in self-contained refrigeration system with digital thermometer and easy to adjust temperature controller
- Operating Temperature: 38°F / 3.3°C

Installation

- Unit ships knocked down and will require assembly



www.mopec.com

800.362.8491

800 Tech Row

Madison Heights, MI 48071