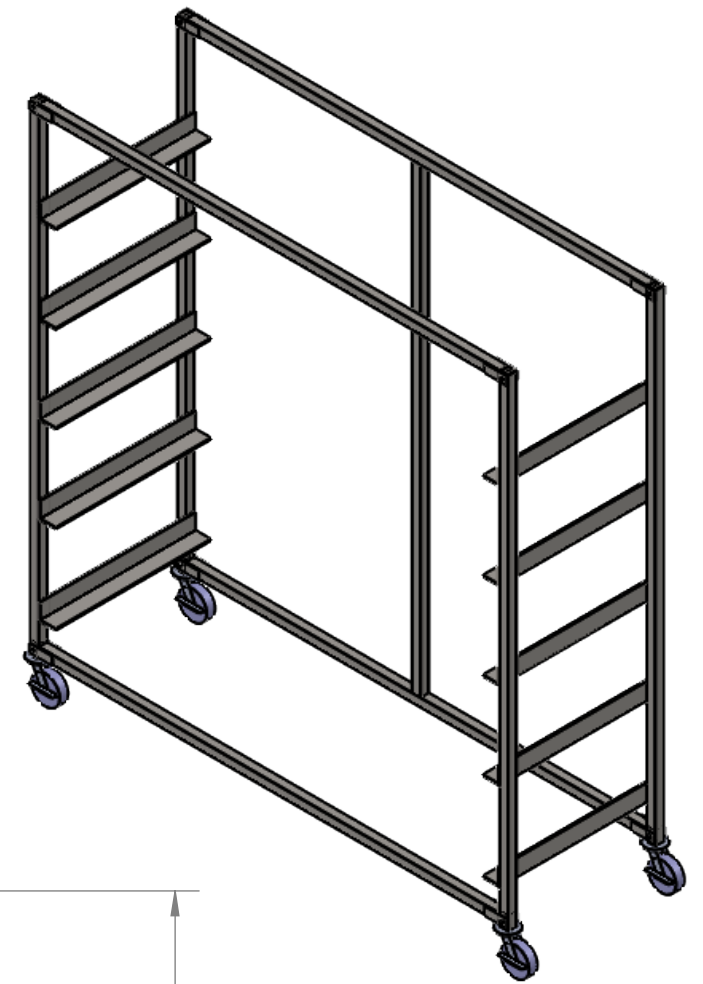
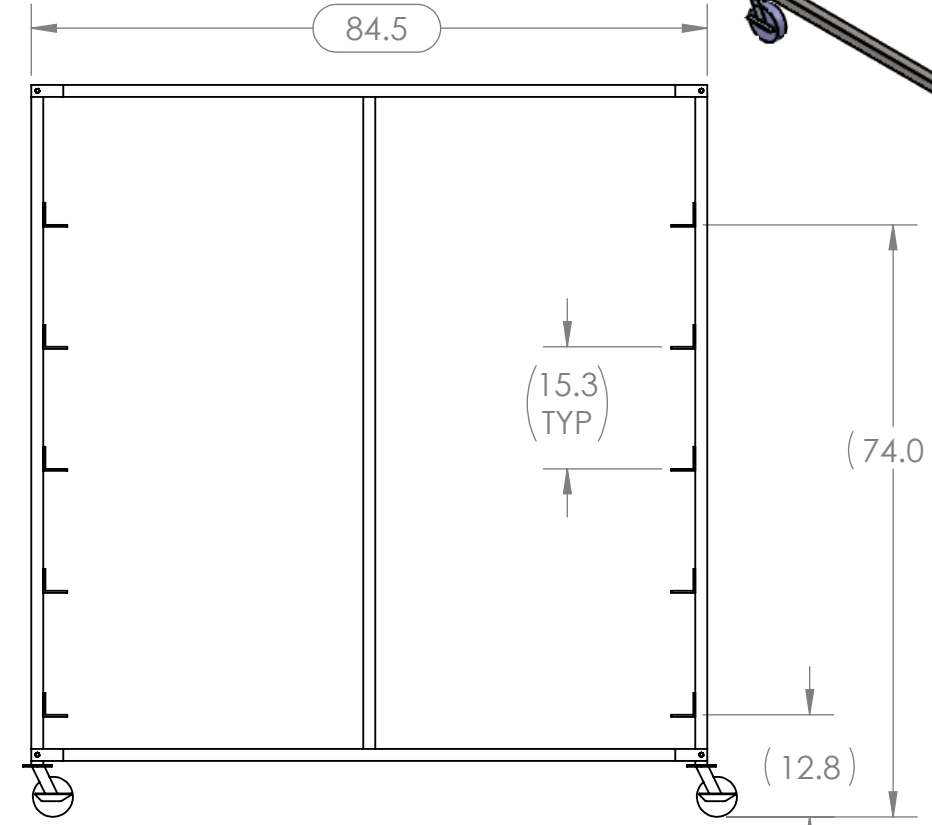
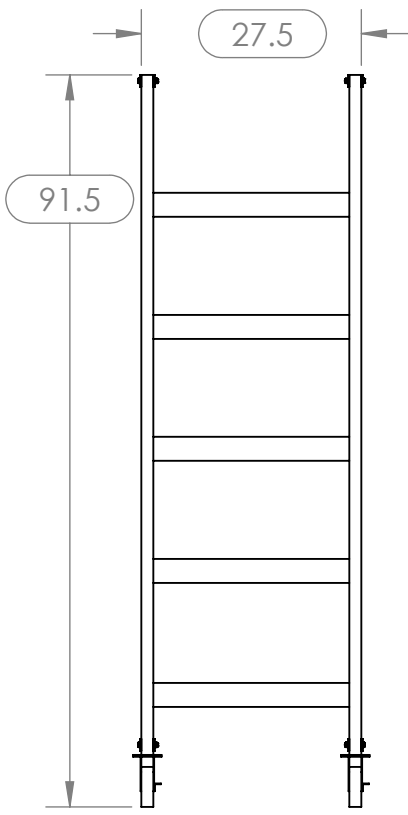
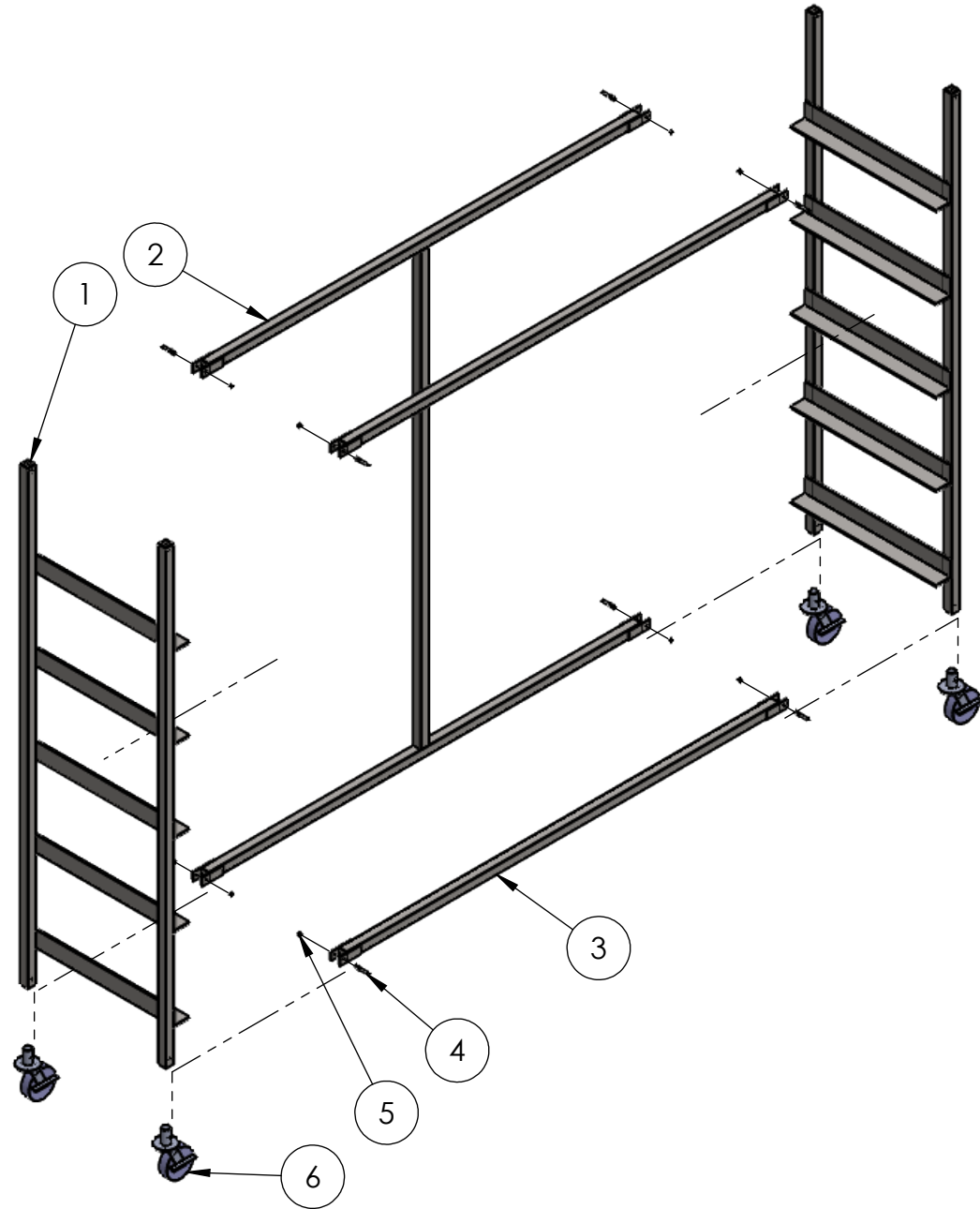


ITEM	QTY	PART NO.	DESCRIPTION	MATERIALS
1	2	S7027	IR END WELDMENT	304 SS TUBE/ANGLE
2	1	S7028	IR BACK WELDMENT	304 SS TUBE/PLATE
3	2	S7029	IR CROSSBAR WELDMENT	304 SS TUBE/PLATE
4	8	PB0567	5/16-18 X 2.25" HEX BOLT	HARD ZINC
5	8	PB0018	5/16-18 NYLOCK NUT	18-8 SS
6	4	PD0090	5" SWIVEL LOCK CASTER	VARIOUS

B



B

A

A

PROPRIETARY AND CONFIDENTIAL
 THE INFORMATION CONTAINED IN THIS DRAWING IS THE SOLE PROPERTY OF MOPEC. ANY REPRODUCTION IN PART OR AS A WHOLE WITHOUT THE WRITTEN PERMISSION OF MOPEC IS PROHIBITED.

		UNLESS OTHERWISE SPECIFIED:	NAME	DATE
		DIMENSIONS ARE IN INCHES	DRAWN	MSM
		TOLERANCES:	CHECKED	04/06/20
		FRACTIONAL ± 1/16"	ENG APPR.	
		ONE PLACE DECIMAL ± 0.1	MFG APPR.	
		TWO PLACE DECIMAL ± 0.05	Q.A.	
		THREE PLACE DECIMAL ± 0.010	COMMENTS:	
		INTERPRET GEOMETRIC TOLERANCING PER:		
		MATERIAL		
NEXT ASSY	USED ON	FINISH		
APPLICATION		DO NOT SCALE DRAWING		

MOPEC		
TITLE: 5 TIER IR RACK		
SIZE B	DWG. NO. IR26501	REV 2
SCALE: 1:24 WEIGHT:		SHEET 1 OF 2

4

3

2

1