

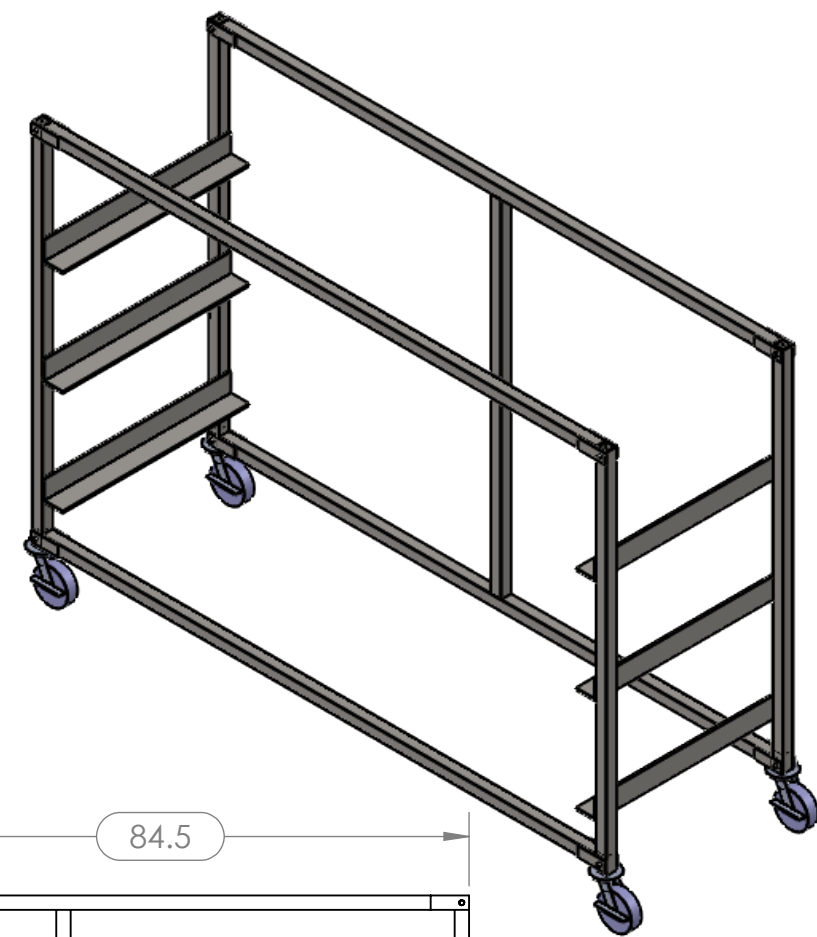
4

3

2

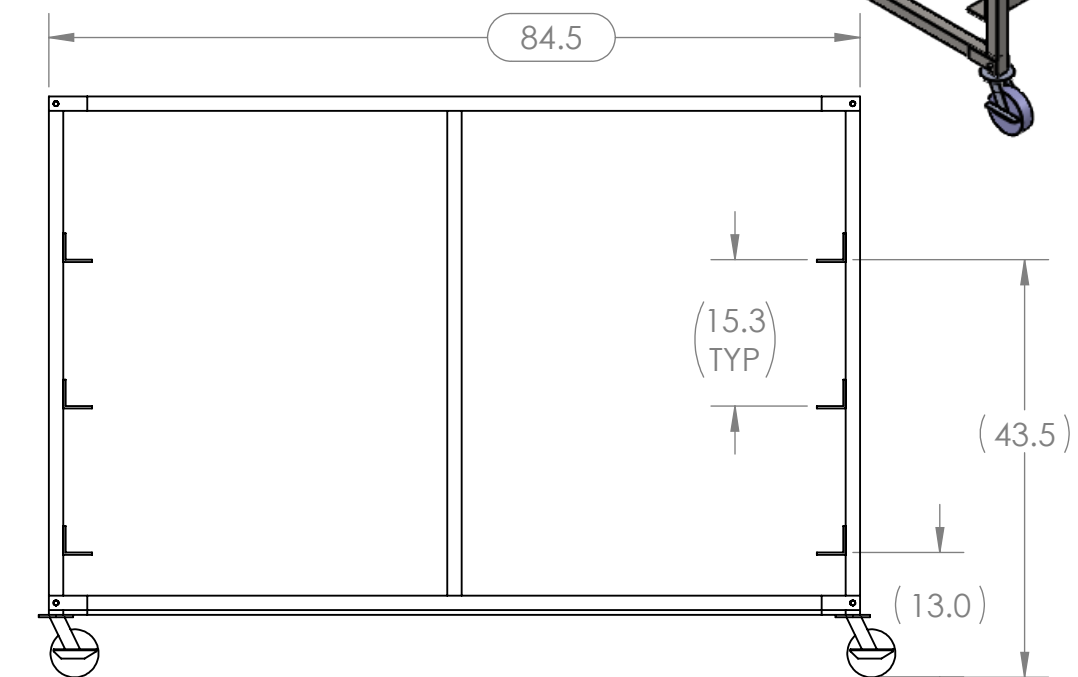
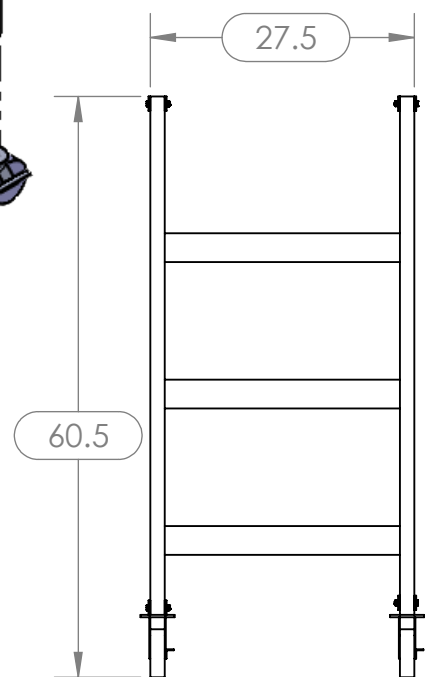
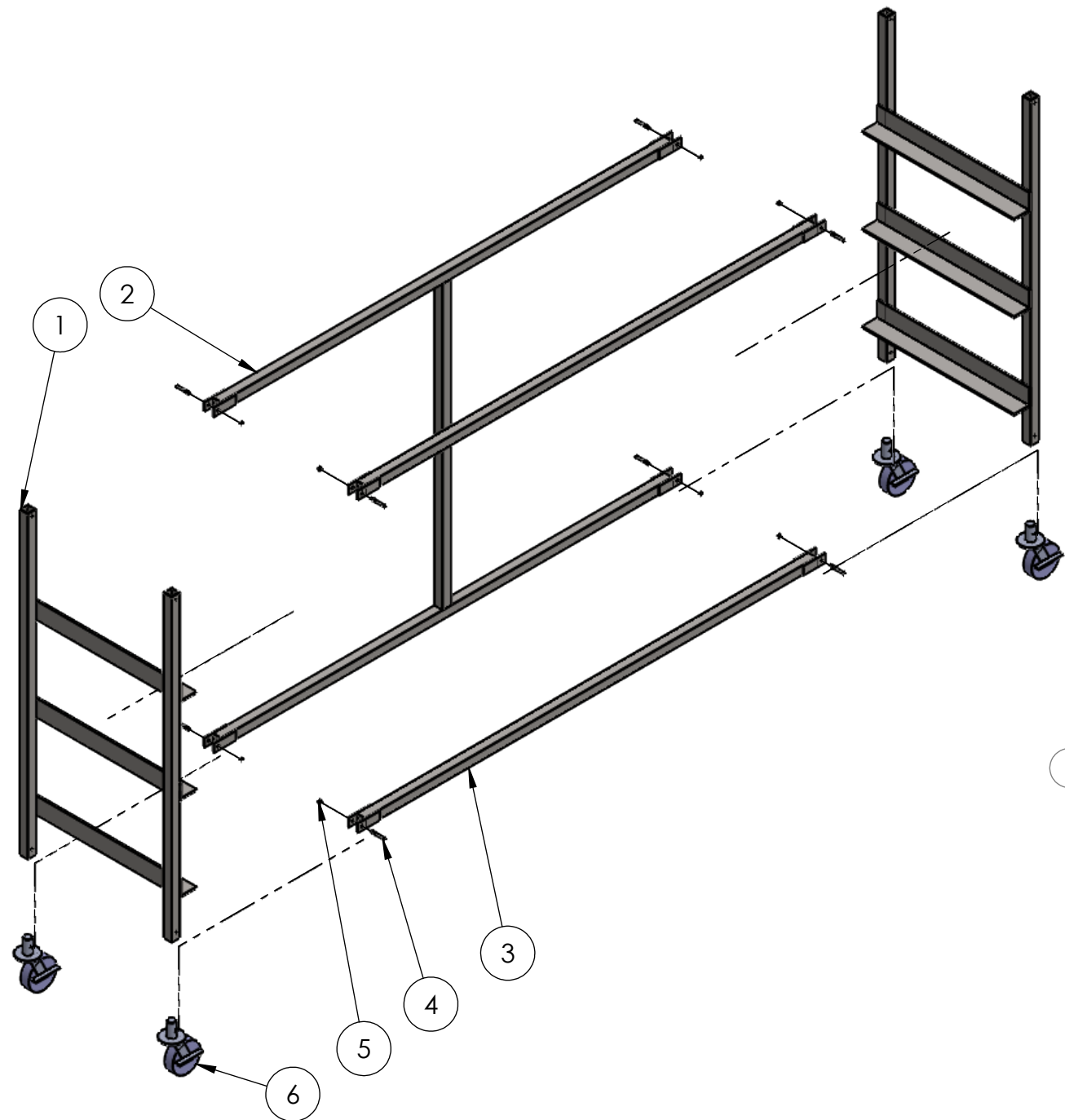
1

ITEM	QTY	PART NO.	DESCRIPTION	MATERIALS
1	2	S7037	3 TIER END WELDMENT	304 SS TUBE/ANGLE
2	1	S7036	3 TIER BACK WELDMENT	304 SS TUBE/PLATE
3	2	S7029	IR CROSSBAR WELDMENT	304 SS TUBE/PLATE
4	8	PB0567	5/16-18 X 2.25" HEX BOLT	HARD ZINC
5	8	PB0018	5/16-18 NYLOCK NUT	18-8 SS
6	4	PD0090	5" SWIVEL LOCK CASTER	VARIOUS



B

B



A

A

PROPRIETARY AND CONFIDENTIAL
 THE INFORMATION CONTAINED IN THIS DRAWING IS THE SOLE PROPERTY OF MOPEC. ANY REPRODUCTION IN PART OR AS A WHOLE WITHOUT THE WRITTEN PERMISSION OF MOPEC IS PROHIBITED.

		UNLESS OTHERWISE SPECIFIED:	NAME	DATE	MOPEC	
		DIMENSIONS ARE IN INCHES TOLERANCES: FRACTIONAL ± 1/16" ONE PLACE DECIMAL ± 0.1 TWO PLACE DECIMAL ± 0.05 THREE PLACE DECIMAL ± 0.010	DRAWN	MSM		
		INTERPRET GEOMETRIC TOLERANCING PER:	CHECKED			TITLE:
		MATERIAL	ENG APPR.			3 TIER IR RACK
		FINISH	MFG APPR.			SIZE DWG. NO.
NEXT ASSY	USED ON	NOTED	Q.A.			B IR26301
APPLICATION		DO NOT SCALE DRAWING	COMMENTS:			REV
						1
						SCALE: 1:20 WEIGHT:
						SHEET 1 OF 1

4

3

2

1