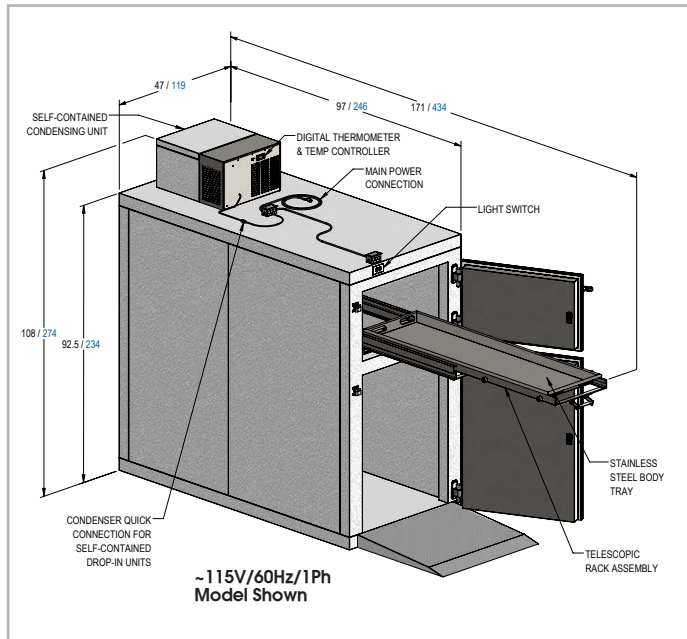


# Combo Morgue Refrigerator (3 Body), Roll-In - KD1100

Roll-in/end opening combination morgue refrigerators are designed for use with telescoping mechanisms and a two tier body carrier. One door located directly over a roll in door. This cooler combines both the roll in and end opening features. Remove the cadaver by extending the telescoping mechanism or rolling the one tier or two tier body carrier out of the cooler.



## SPECIFICATIONS

### Construction

- Front: Stainless steel with a no. 4 finish
- Top, sides, back, interior: Stucco embossed galvanized
- Interior flooring: Smooth aluminum with plywood reinforced understructure
- Exterior ramp: Wood frame with galvanized wearing surface
- Insulation: 4" foamed in place urethane
- (1) Three-piece telescopic fabricated of extruded aluminum with nylon rollers
- Overlap door with clear opening

### Materials

- Stainless steel and stucco embossed aluminum exterior
- Heavy-duty chrome-plated hardware for long lasting use
- Stainless steel removable tray

### Dimensions

- Overall: 47" W x 97" D x 108" H
- Top Door: 36" W x 22" H
- Bottom Door: 36" W x 50" H

### Utilities / Power

- 115V / 60Hz / 1 Ph
- 208-230V / 50-60Hz / 1 Ph available (may affect dimensions & features)

### Controls

- Vapor proof light with switch

### Performance

- Drop-in self-contained refrigeration system with digital thermometer and easy to adjust temperature controller
- Operating Temperature: 38°F / 3.3°C

### Installation

- Unit ships knocked down and will require assembly

### Options & Accessories

- Custom sizes for larger cases
- Two-tier carrier
- Single-tier carrier
- Full length interior roller racks
- HD plastic storage boards



[www.mopec.com](http://www.mopec.com)  
800.362.8491  
800 Tech Row  
Madison Heights, MI 48071