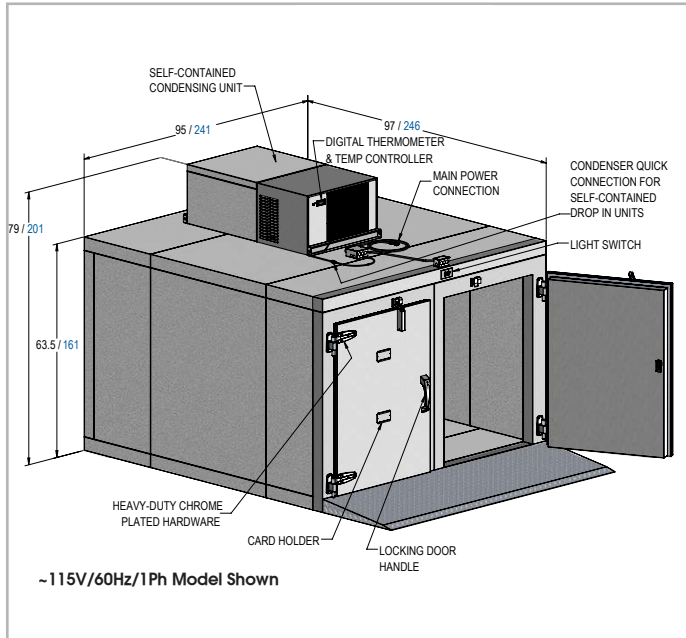


Morgue Refrigerator (4 Body), Roll-In - KB1400

Drop-in self-contained refrigeration system with digital thermometer and easy to adjust temperature controller. Heavy-duty chrome plated hardware for long lasting use. Unit ships knocked down and will require assembly.



SPECIFICATIONS

Construction

- Front: Stainless steel with a no. 4 finish
- Top, sides, back, interior: Stucco embossed aluminum
- Interior flooring: Smooth aluminum with plywood reinforced understructure
- Exterior Ramp: Wood frame with galvanized wearing surface
- Insulation: 4" foamed in place urethane
- Overlap door with magnetic gasket

Materials

- Stainless steel and stucco embossed aluminum exterior
- Heavy-duty chrome-plated hardware for long lasting use
- Stainless steel removable trays

Dimensions

- Overall: 95" W x 97" D x 79" H
- Doors: 36" W x 50" H

Utilities / Power

- 115V / 60Hz / 1 Ph
- 208-230V / 50-60Hz / 1 Ph available (may affect dimensions & features)

Controls

- Vapor proof light with switch

Performance

- Drop-in self-contained refrigeration system with digital thermometer and easy to adjust temperature controller
- Operating Temperature: 38°F / 3.3°C

Installation

- Unit ships knocked down and will require assembly

Options & Accessories

- Custom sizes for larger cases
- Two-tier carrier
- Single-tier carrier



www.mopec.com

800.362.8491

800 Tech Row

Madison Heights, MI 48071