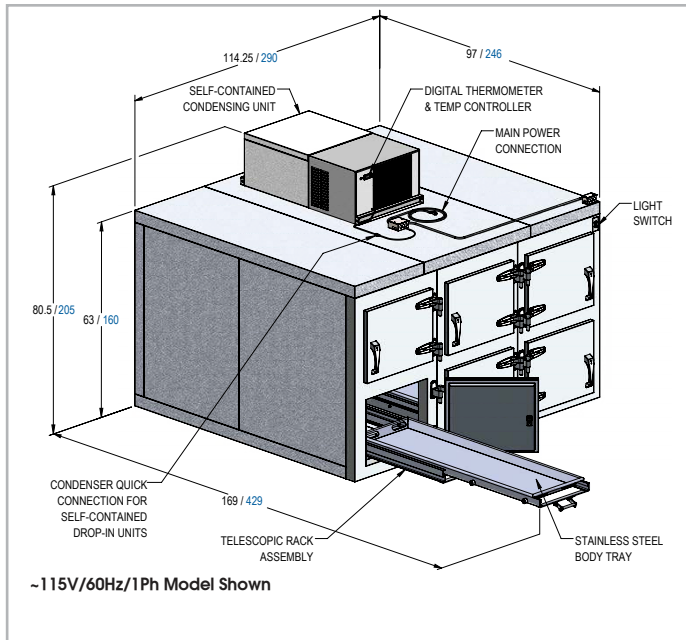


# Morgue Refrigerator (6 Body), Telescoping End Opening, Transfer Options - KA1510

End opening telescoping morgue refrigerators are designed with individual door openings. A telescoping mechanism fully supports the body tray. When the door is open and the end of the telescoping mechanism is fully extended, the tray is in full head-to-toe view. The cadaver can be removed alone or with the body tray.



## SPECIFICATIONS

### Construction

- Front: Stainless steel with a no. 4 finish
- Top, sides, back, interior: Stucco embossed aluminum
- Interior flooring: Smooth aluminum with plywood reinforced understructure
- Insulation: 4" foamed in place urethane
- (6) Three-piece telescopic fabricated of extruded aluminum with nylon rollers
- Overlap door with magnetic gasket

### Materials

- Stainless steel and stucco embossed aluminum exterior
- Heavy-duty chrome-plated hardware for long lasting use
- Stainless steel removable trays

### Dimensions

- Overall: 114.25" W x 97" D x 80.5" H
- Doors: 27" W x 22" H

### Utilities / Power

- 208-230V / 50-60Hz / 1 Ph available

### Controls

- Vapor proof light with switch

### Performance

- Drop-in self-contained refrigeration system with digital thermometer and easy to adjust temperature controller
- Operating Temperature: 38°F / 3.3°C

### Installation

- Unit ships knocked down and will require assembly

### Options & Accessories

- Custom sizes for larger cases
- Full length interior roller racks
- HD plastic storage boards



[www.mopec.com](http://www.mopec.com)

800.362.8491

800 Tech Row

Madison Heights, MI 48071