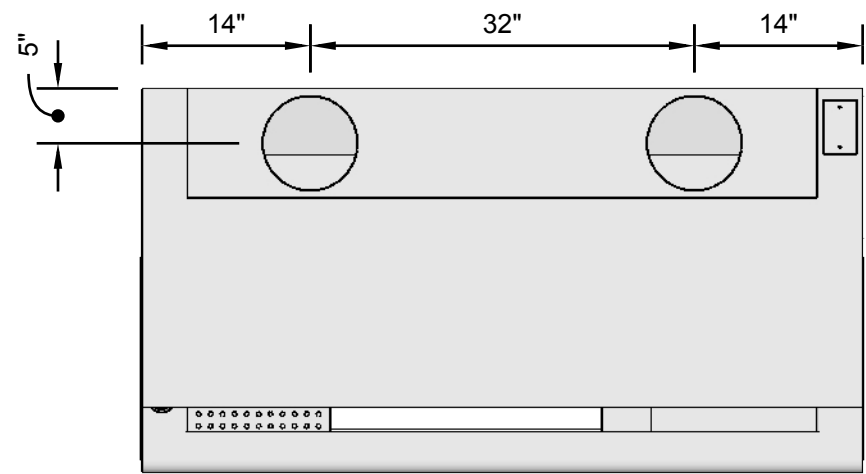
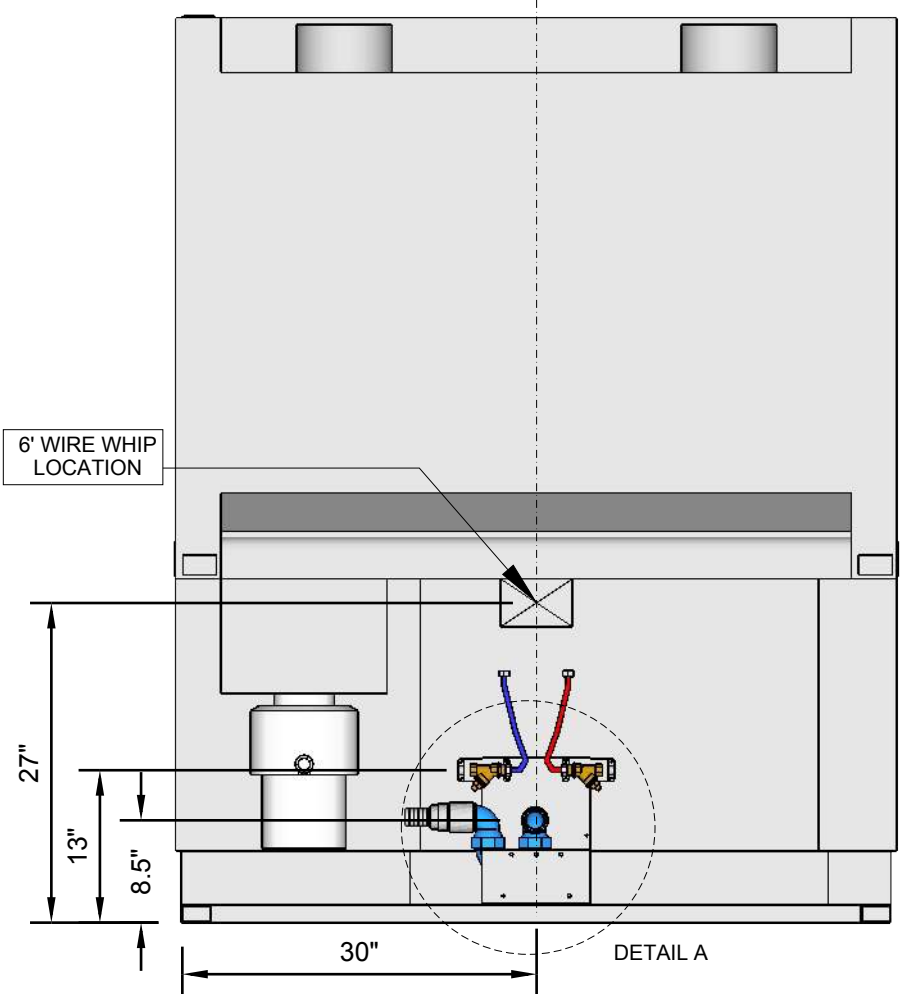
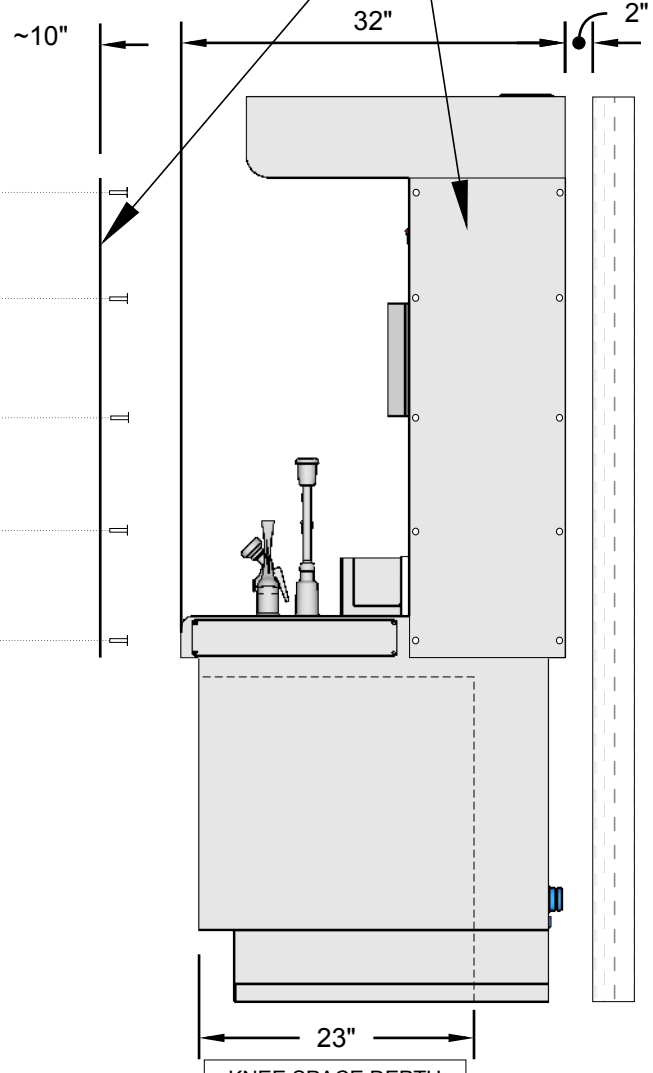
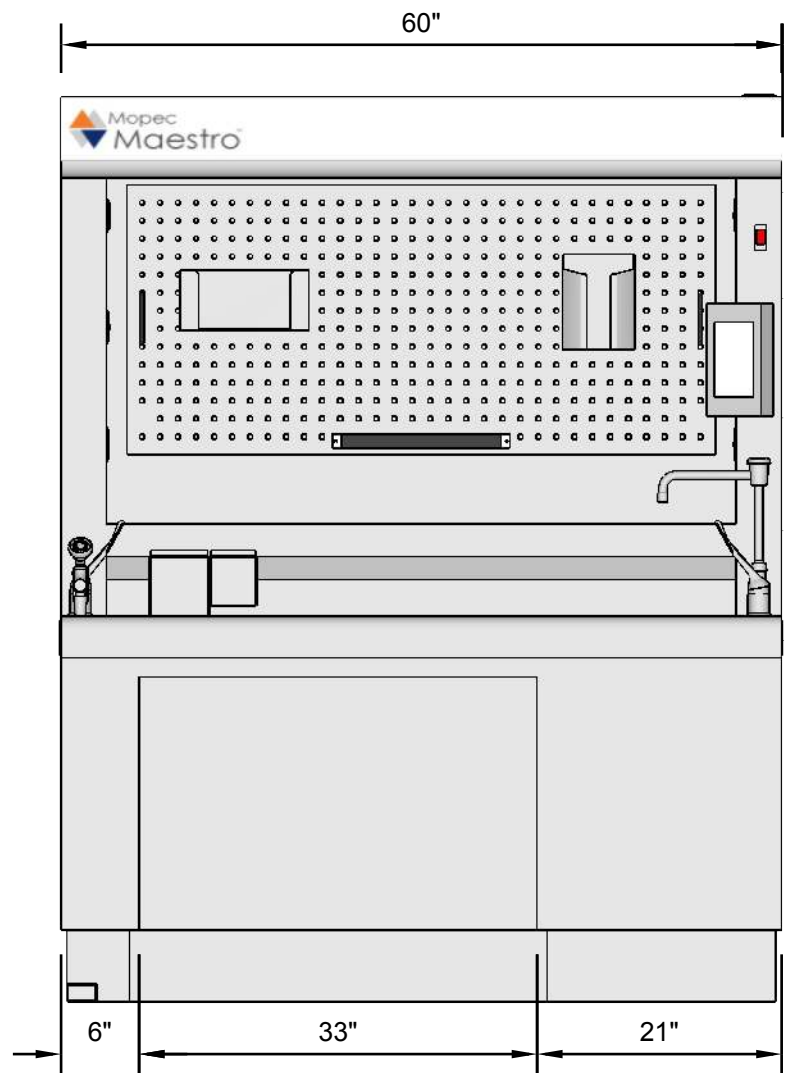
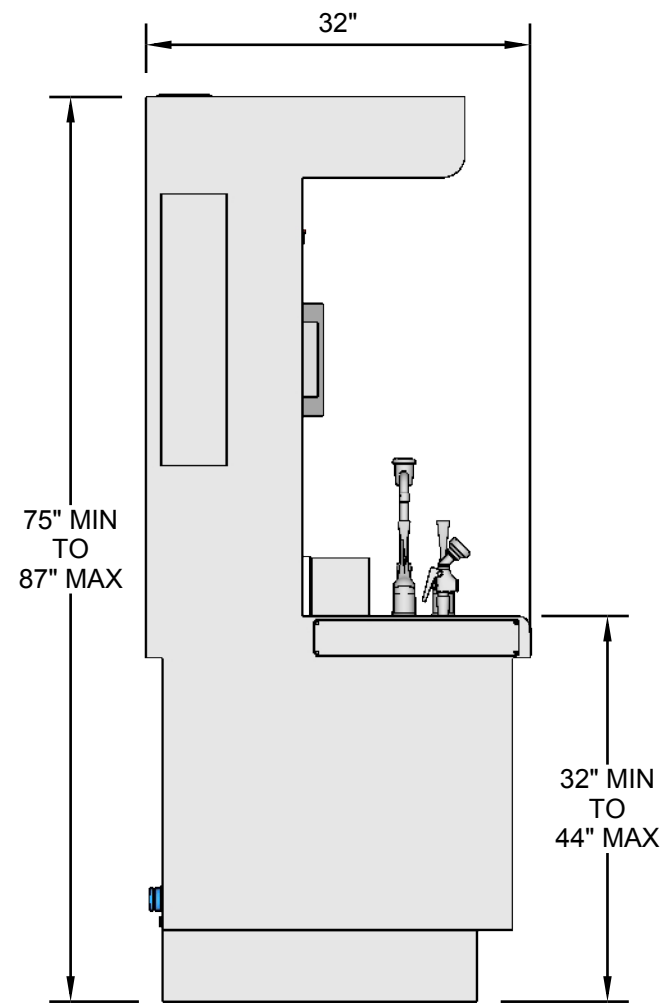


<p>THIS DOCUMENT CONTAINS PROPRIETARY INFORMATION OF MOPEC, AND MAY NOT BE COPIED IN WHOLE OR PART, AND NO USE SHALL BE MADE OF IT OTHER THAN FOR WHICH IT HAS BEEN SUBMITTED WITHOUT THE WRITTEN PERMISSION OF A MOPEC. MANAGER</p> <p>MOPEC 2018</p>	<p>UNLESS OTHERWISE SPECIFIED ALL DIMENSIONS IN INCHES</p> <p>TOLERANCES</p> <table border="0"> <tr> <td>0.0</td> <td>± 0.2 in</td> </tr> <tr> <td>0.00</td> <td>± 0.10 in</td> </tr> <tr> <td>0.000</td> <td>± 0.005 in</td> </tr> <tr> <td>0.0000</td> <td>± 0.0005 in</td> </tr> <tr> <td>ANGLES</td> <td>± 0.5°</td> </tr> </table> <p>BREAK ALL CORNERS 0.063 X 45° ALL FILLET RADII R0.063 /0.125in INSPECT OVAL DIMENSIONS</p>	0.0	± 0.2 in	0.00	± 0.10 in	0.000	± 0.005 in	0.0000	± 0.0005 in	ANGLES	± 0.5°	<p> Better By Design™</p> <p>21750 COOLIDGE HWY OAK PARK, MI 48237 PHONE: 800-362-8491</p> <p>DRAWN TO 3RD ANGLE PROJECTION</p>	<p>DRAWN BY: D.MADGWICK</p>	<p>PART NUMBER: MB1060R</p>
		0.0	± 0.2 in											
		0.00	± 0.10 in											
		0.000	± 0.005 in											
0.0000	± 0.0005 in													
ANGLES	± 0.5°													
<p>DATE: April 24, 2019</p>	<p>DESCRIPTION: MAESTRO 60" RH</p>													
<p>REV DATE: 09/10/19</p>	<p>SIZE: B FILE NAME: MB1060R ROUGH-IN_REV E REV: E</p>													
<p>SCALE:</p>	<p>DO NOT SCALE IF IN DOUBT ASK</p>													



SERVICE ACCESS PANEL. ALLOW ~10" OF CLEARANCE AWAY FROM WALLS OR ADJACENT EQUIPMENT TO ACCOMODATE REMOVAL

2" SPACING FROM WALL RECOMMENDED



HVAC
CFM = 600
BUILDING VENTILATION DUCT STUBS PROVIDED BY OTHERS
*(2-EACH) 8" DIA. DUCT STUBS LOCATED AS SHOWN FROM IN-HOUSE VENTILATION (BY OTHERS)
*(2-EACH) 8" FLEXIBLE DUCTS PROVIDED BY MOPEC WITH HARDWARE FOR MOUNTING
*FLEXIBLE DUCTS ARE CUT AT 36" LONG FOR A TYPICAL CEILING CONNECTION HEIGHT OF 96". SPECIAL LENGTH FLEXIBLE DUCT CAN BE PROVIDED IF NECESSARY.
NOT REQUIRED IF RECIRCULATING OPTION IS ORDERED

ELECTRICAL
2 MULTIWIRED BRANCH 120V CIRCUITS
(1) 115/1/60, 20 AMPS, (REQUIRED)
(1) 115/1/60, 20 AMPS, (IF DISPOSAL IS DESIRED)
6' WIRE WHIP SUPPLIED BY MOPEC
DO NOT USE GFCI BREAKERS IN ELECTRICAL PANEL

DESCRIPTION: MAESTRO 60" RH	<p>Better By Design™ 21750 COOLIDGE HWY OAK PARK, MI 48237 PHONE: 800-362-8491</p>	FILE NAME: MB1060R ROUGH-IN_REV E	REV: E
PART NUMBER: MB1060R		DESIGNER: D. MADGWICK	
DATE: 09/11/19		SCALE: DO NOT SCALE	

PLUMBING

1/2" NPT COLD (1/2" FLEX LINES) STUB OUT FROM FACE OF WALL WITH 1/4" SHUT OFF VALVE PROVIDED BY OTHERS

1/2" NPT HOT (1/2" FLEX LINES) STUB OUT FROM FACE OF WALL WITH 1/4" SHUT OFF VALVE PROVIDED BY OTHERS

1-1/2" DRAIN LINE STUB OUT FROM FACE OF WALL 'P' TRAP PROVIDED AT DRAIN OUT BY MOPEC

DETAIL A