

Limitless Rotation Surgical Lights

BB138-BB141

* Specifications of modified models may vary from the model shown.

Specifications

Bulbs & Brightness

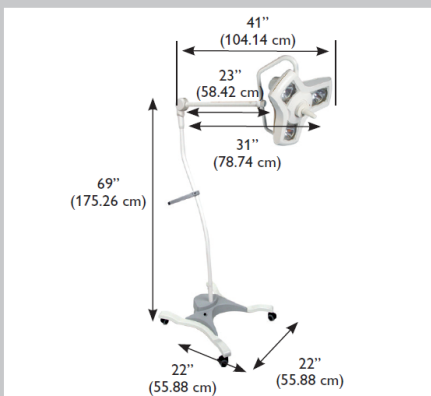
- High-intensity of 45,000 lux (4181 fc) at 1 meter
- 3100 K color temperature offers natural and true coloring
- High CRI (Color Rendering Index) of 96
- Uses three quartz halogen bulbs – each rated with a 2000-hour bulb life. Bulbs wired in parallel for continuous operation.

Mechanisms

- Compact 20" (51 cm) diameter light head
- Extremely smooth focus mechanism with center sterilizable handle
- 360° limitless arm and mounting system rotation around vertical axes (on single ceiling models)
- Cool operation for long hours of use

Other Standard Features

- 120V standard; 100 and 230 / 240V models available
- IEC/UL 60601-1 / IEC 60601 2-41 / IEC/EN 60601-1-2; CAN/CSA C22.2 601-1 M90 certified
- CE marked
- Assembled in USA



MODEL #	DESCRIPTION
BB138	Floorstand
BB139	Double Ceiling Mount
BB140	Single Ceiling Mount
BB141	Wall Mount