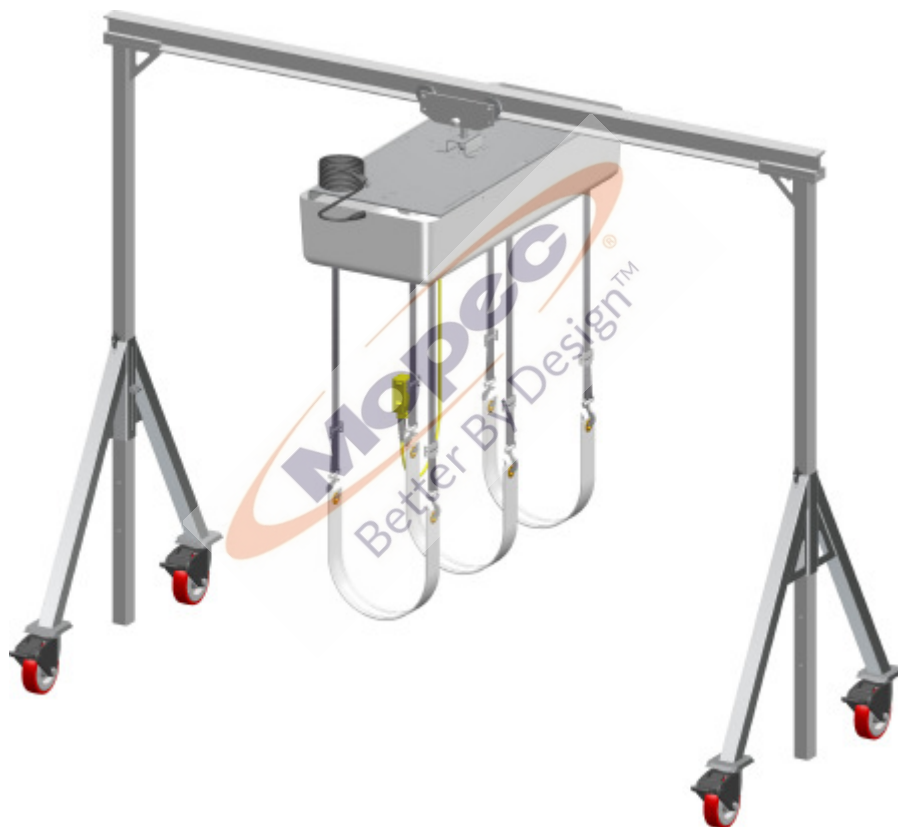


JD3000 Series

Body Crane Lift



**REFERENCE
MANUAL**



TM

21750 Coolidge Highway
Oak Park, MI 48237
800.362.8491 • 248.291.2040 • 248.291.2050 (FAX)

IMPORTANT INFORMATION

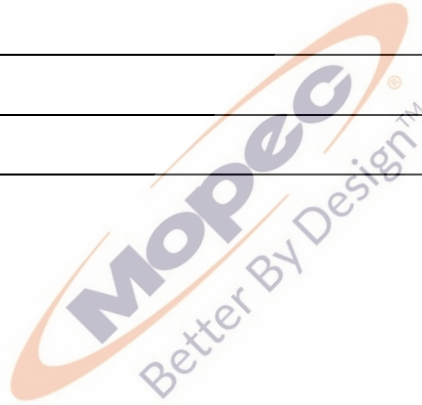
MODEL NO.:

SERIAL NO.:

DATE OF PURCHASE:

DATE OF INSTALLATION:

INSTALLATION NOTES:



SERVICE AND SUPPORT:



21750 Coolidge Highway
Oak Park, MI 48237
800.3628491 • 248.291.2040 • 248.291.205
www.mopec.com • info@mopec.com

TABLE OF CONTENTS

IMPORTANT INFORMATION	2
TABLE OF CONTENTS	3
INTRODUCTION	4
RECEIVING INSPECTION	4
SPECIFICATIONS	5
OPERATING THE LIFT	6
KNOW THE HAZARDS	6
CLEANING	7
INSPECTION AND MAINTENANCE	8
TROUBLE SHOOTING	9
WARRANTY	10
ISO CERTIFICATE	11
UNIT DRAWING	12



INTRODUCTION

When you want the versatility and convenience of a body lift, the JD3000 SERIES is the logical choice. Able to lift up to 1,000 pounds the JD3000 is an overhead body lift crane that will support safe transfer. The four locking casters provide secure positioning.

The lower support frame is constructed of 10 gauge stainless steel and reinforced with welded support brackets for maximum strength. The JD3000 can be assembled in minutes and is designed to give many years of maintenance free service.

Available in 4, 6 or 8 feet to match your work area

JD3004 4 Foot Beam

JD3006 6 Foot Beam

JD3000 8 Foot Beam

RECEIVING INSPECTION

The first step in operating your body crane lift is to carefully inspect the unit for any visible damage. If visible damage is observed do not discard the crate it was shipped in, even if it's beyond use. Contact the carrier and Mopec immediately; we will help assist you in filing a claim for product repair and/or replacement. Also, check to see if all the parts are packaged as noted in the pictures received with the unit, contact Mopec immediately if parts are missing;

SPECIFICATIONS

Features:

- Solid I Beam
- Trolley with 360 Rotation
- Power Cord
- Adjustable Riser Beam (2 Req'd)
- Mopec Power Lift
- Removable Support Leg (2 Req'd)
- 6" Caster Wheel with Swivel & Brake
- (6) Adjustable Lift Straps
- Hand Held Lift Controller
- (3) Nylon Body straps

Height Adjustment: Adjust to most ceiling heights

Minimum Height: 78" H **Maximum Height:** 102"

Casters: Four each. Locking casters allow secure positioning of your crane

Beam: Available in 4, 6 or 8 feet to match your work area

JD3004 4 Foot Beam

JD3006 6 Foot Beam

JD3000 8 Foot Beam

Straps: Included are three each nylon body straps (36" x 3") rigid enough to slide under the cadaver, yet flexible enough to securely hold the cadaver. The straps are non-porous, moisture, strong acid, chemical, bacterial growth resistant.

On the lift there are six adjustable lift straps, these are constructed of nylon web material.

Electrical: 115 V 10' line power cord

Controller: Hand held operating controller

Weight Capacity: Each lift can hold 1000 pounds

OPTIONS

JD3500 Body Lift only, can be purchased for use with your existing ceiling track system. Please contact Mopec to ensure compatibility.



OPERATION OF LIFT

The lift is capable of raising and lowering deceased remains with the three white nylon straps. The straps are 36" in Length. These are to be used when lifting remains. Place one strap under the shoulder region, one under the buttock/lower back region and one under the knee region. To place these straps under the body two techniques may be used;

1. Start from either the left or right side of the remains, take one end of the strap and push it under the selected region
2. Start from the head region and shimmy the strap down the length of the remains, this is the preferred technique with larger remains Tips
 - Always use the straps with the ridges touching the remains
 - Sliding a strap under the knee region and using the lift will help when trying to slide a strap under the buttock/lower back region.

Lift Controls

The controls on the electric powered cadaver lift are a push button type. One button is for up and the other button is for down.

KNOW THE HAZARDS

Use Your Lift Safely

- Never operate the lift without the fiberglass cover
- Check the integrity of the 6 adjustable lift straps and hooks
- Check the integrity of the 3 body straps
- Keep your hands and feet away from all moving parts such as the mast, straps, rollers and casters
- Never lift live humans with the lift
- Never lift cadavers more than three feet above the surface
- Never stand under the machine when there is a body on the straps
- Never place hands inside the fiberglass cover when the lift is plugged in
- Never attempt to pick up more than the maximum capacity of the lift (1,000 Lbs)

CLEANING

DISINFECTING AND MAINTAINING STAINLESS STEEL SURFACES

All stainless steel surfaces can be cleaned with soap and water, which will remove debris.

The stainless steel surfaces can be disinfected with a non caustic disinfectant. We suggest using BE045 Path Cloud or BE047 Bench Wipe for cleaning purposes. We recommend you **DO NOT USE** a bleach solution to clean your unit; bleach will eventually erode stainless steel if not thoroughly rinsed.

During the cleaning we suggest wiping the surface in the same direction as the satin finish which will help elevate dirt from the grain finish.

Scratches can be removed simply by utilizing a "non-metallic" abrasive pad and rubbing in the same direction as the satin finish.

Since most abrasive pads vary from one supply to another, we suggest rubbing the entire surface to blend the scratch and blend the balance of the surface.

THE USE OF CHLORINE BLEACH WILL VOID THE STAINLESS STEEL WARRANTY

The fiberglass cover can be cleaned with soap and water.

The nylon body straps can be sanitized as necessary

INSPECTION AND MAINTENANCE

Inspection of the 6 adjustable lift straps

Remove the nylon straps from service if any of the following damage is visible. NEVER attempt to make temporary strap repair.

1. Melted or charred spots
2. Cuts, tears, holes, snags or embedded particles.
3. Broken or missing stitches in load bearing splices
4. Excessive abrasive wear
5. Knots in any part of the straps
6. Any other visible damage which causes doubt as to strength or safety
7. Hooks or buckles are cracked or damaged in any way
8. Damaged eyes or deformed fittings
9. Never use lift if straps are twisted or coming off the spool
10. NEVER use the nylon straps as a substitute for the plastic body straps
11. Shear pins are bent or cracked

The nylon lift straps should be replaced when worn, the manufacturer recommends annual replacement

Inspection of the 3 nylon body straps

Remove straps from service if any of the following damage is visible. NEVER attempt to make a temporary repair.

1. Stretching or tearing of the plastic is visible
2. Cracking of plastic is visible
3. Excessive abrasive wear

Inspection of the Lift Mechanism

Discontinue using the lift if any of the following occur.

1. Slipping of gears
2. Sudden dropping
3. Vibration and/or jerking or rough raising or lowering
4. Loud noises during operation
5. Grinding noises during operation
6. Uneven lifting
7. Excessive oil leaking
8. Gap between the pivot bolt plate and the trolley, tighten bolt to repair.

Maintenance of Lift Mechanism

1. **Gears:** Grease gears with white lithium grease annually
2. **Pillow block bearing:** Grease pillow block bearings through the grease fitting on top of the pillow block bearing annually
3. **Chain:** Wipe and oil chain annually

4. **Pivot Bolt:** Check Pivot bolt yearly; there should not be a gap between the metal base plate of the machine and the trolley.



TROUBLE SHOOTING

Push the up or down button and nothing happens

1. Check the unit to ensure unit is plugged in
2. Check the circuit breaker for the electrical outlet the lift is plugged into

Unplug the machine if the one touch control fails to stop the machine from going up or down



WARRANTY

MOPEC OVERHEAD BODY LIFT AND ALL PARTS THEREOF, MANUFACTURED BY MOPEC, INC., IS WARRANTED TO OUR CUSTOMERS TO BE FREE FROM DEFECTS IN MATERIAL AND CONSTRUCTION WHEN SUBJECTED TO NORMAL USE AND SERVICE. THIS WARRANTY SHALL NOT APPLY TO ANY EQUIPMENT OR PART THEREOF, WHICH HAS BEEN SUBJECT TO ALTERATIONS, ACCIDENT, MISUSE, OR WHICH HAS BEEN USED MORE THAN ITS PUBLISHED CAPACITY.

OUR OBLIGATION UNDER THIS WARRANTY IS LIMITED TO REPAIRING OR REPLACING, WITHOUT CHARGE ANY PART OR PARTS OF SAID EQUIPMENT WHICH PROVE DEFECTIVE AND WHICH OUR EXAMINATION SHALL DISCLOSE TO OUR SATISFACTION TO BE THUS DEFECTIVE. WE DO NOT ACCEPT RESPONSIBILITY FOR CONSEQUENTIAL DAMAGE RESULTING FROM SUCH DEFECTIVE PARTS. THE PERIOD OF WARRANTY ON MOPEC, INC. EQUIPMENT IS AS FOLLOWS:

ALL EQUIPMENT: EQUIPMENT IS WARRANTED IN ITS ENTIRETY FOR A PERIOD OF ONE (1) YEAR FROM THE DATE OF SALE. THIS WARRANTY INCLUDES PARTS AND LABOR FOR COVERED REPAIRS.

MOPEC, INC. WILL ACCEPT INCOMING DEFECTIVE PARTS, ONLY WHEN SHIPMENT IS PREPAID. THIS WARRANTY CONTRACT IS IN LIEU OF ALL OTHER WARRANTIES, AND RELEASES MOPEC, INC. OF ALL OTHER OBLIGATIONS OR LIABILITIES. IT NEITHER ASSUMES NOR AUTHORIZES ANY PERSON OR PERSONS TO ASSUME ANY OBLIGATION OTHER THAN THAT COVERED IN THIS WARRANTY.

MOPEC, INC. , 21750 Coolidge Highway Oak Park, MI 48237



CERTIFICATE OF REGISTRATION

This is to certify that

MOPEC, INC.

21750 Coolidge Highway, Oak Park, Michigan 48237 USA

operates a

Quality Management System

which complies with the requirements of

ISO 9001:2008

for the following scope of registration

Design, Engineering, Manufacturing and Installation of Equipment and Distribution of Supplies for Morgue, Pathology, Histology and Necropsy Applications.

Certificate No: CERT-0036839

File No: 1068177

Issue Date: April 15, 2009

Original Certification Date: April 9, 2008

Current Certification Date: April 9, 2008

Certificate Expiry Date: April 8, 2011

Malcolm Phipps
Vice President Corporate Policies
QMI-SAI Canada Limited

Alex Ezrakhovich
General Manager,
SAI Global Certification Services Pty Ltd



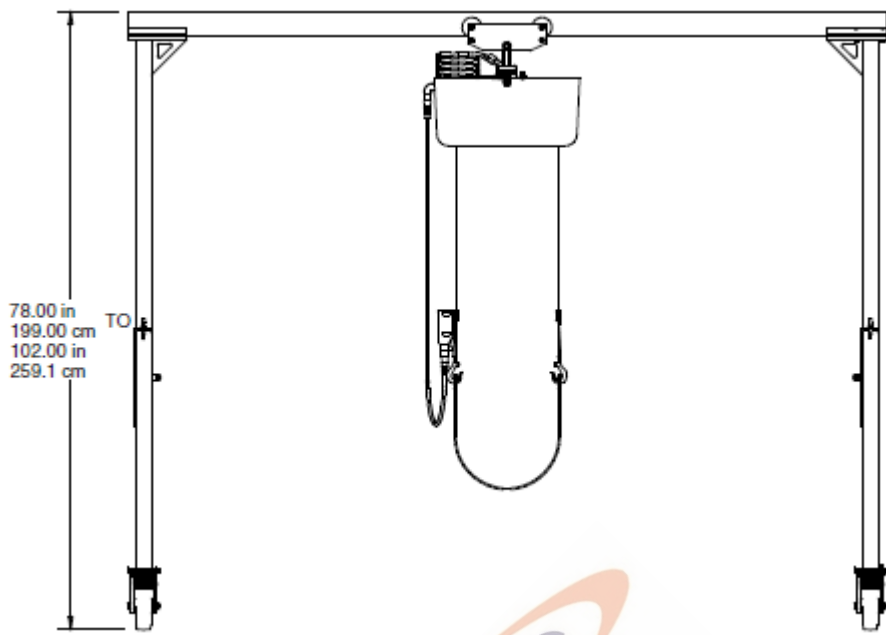
ISO 9001

Registered by:
SAI Global Certification Services Pty Ltd, 206 Sussex Street, Sydney NSW 2000 Australia with QMI-SAI Canada Limited, 20 Carlton Court, Suite 100,
Toronto, Ontario M5W 7Y3 Canada (SAI GLOBAL). This registration is subject to the SAI Global Terms and Conditions for Certification. While all due care
and skill was exercised in carrying out this assessment, SAI Global accepts responsibility only for proven negligence. This certificate remains the property
of SAI Global and must be returned to them upon request.
To verify that this certificate is current, please refer to the SAI Global On-Line Certification Register: www.qmi-sai-global.com/html_certificate



SAI GLOBAL

DEFEND. INSPIRE. IMPROVE.



Mopec
Better By Design™

