

# BF900

---

## DOWN BACK DRAFT DISSECTION TABLE



## REFERENCE MANUAL



21750 Coolidge Highway • Oak Park, MI 48237 USA  
+1 800-362-8491 • 248-291-2040 • Email: info@mopec.com

Rev 8-15-14 ©

## **IMPORTANT INFORMATION**

**MODEL NO.:** BF900

---

**SERIAL NO.:**

---

**DATE OF PURCHASE:**

---

**DATE OF INSTALLATION:**

---

**INSTALLATION NOTES:**

---

---

---

---

---

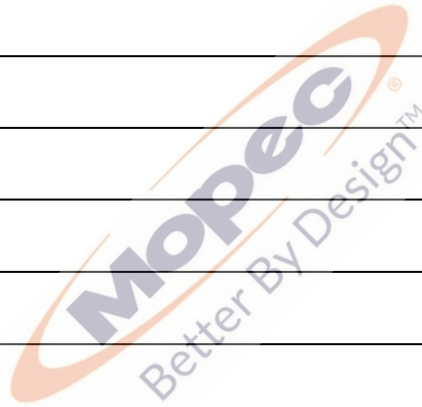
---

---

---

---

---



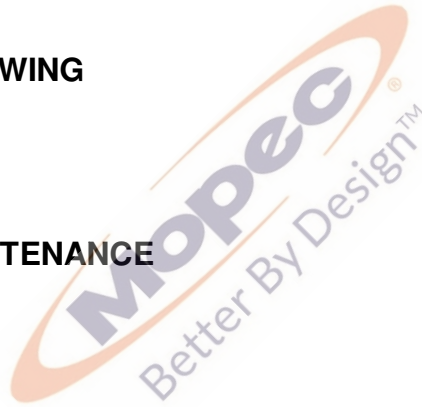
**SERVICE AND SUPPORT:**



21750 Coolidge Highway • Oak Park, MI 48237 USA  
+1 800-362-8491 • 248-291-2040 • Email: info@mopec.com

## TABLE OF CONTENTS

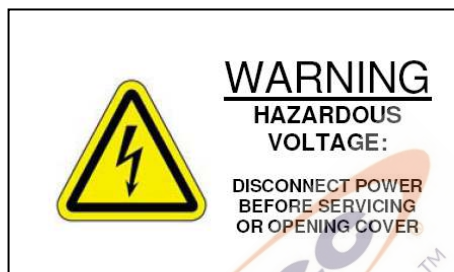
IMPORTANT INFORMATION	1
TABLE OF CONTENTS	2
INTRODUCTION	3
LABEL INFORMATION	3
FEATURES	4
UNPACKING	5
INSTALLATION	6
ROUGH IN DRAWING	7
UNIT DRAWING	8
TROUBLE SHOOTING	9
CLEANING AND MAINTENANCE	9
WARRANTY	10
TUV CERTIFICATE	11
ISO CERTIFICATE	12



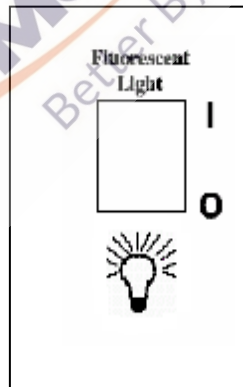
## **INTRODUCTION**

The Mopec BF900 Back and Down Draft Dissection Table is ideal for small surgical procedures. The BF900 is designed with fixed down and back draft airflow to remove unwanted fumes. To help eliminate escaping fumes, the down draft is designed with more air down flow area making it excellent for cover slipping and staining. Hot and Cold water faucet with vacuum breaker and wrist blade handles provide water. A polypropylene dissection board is fitted into the grid plate. Hand spray with dual check valve and separate shut off valve.

**BEFORE SERVICING THE UNIT LOOK FOR HEED THE FOLLOWING LABEL**



Symbols Found on the Electrical Control Panel



## **FEATURES**

All Stainless Steel construction, the working and sink areas are manufactured using 304 stainless steel with a #4 satin finish.

Storage Shelf: The top shelf of the workstation has a 12" W x 36" L area for placement of specimen containers, tissue cassettes or a dictation machine.

Formalin Collection system with carboy and quick disconnect cap.  
The BF900 also includes a PVC Pipe Cap to close off the formalin collection if the collection is not going to be used.

Formalin dispensing system

10" x 20" Polypropylene dissection board

Hand Spray with dual check valve and separate water shut off valve

Hot and Cold Faucet wrist blade handles and vacuum breaker, with polished chrome plated finish solid brass body construction

Wired for 110V fluorescent Light with 24" standard bulb and separate on and off switch

## **UNPACKING**

- 1.) Carefully inspect the exterior of the shipping container before opening. If the crate is damaged and the product has sustained damage immediately contact Mopec and the freight carrier. **Never discard the shipping container even if it is damaged beyond recognition.**
- 2.) Have the delivery driver note any suspected damage on the bill of lading and sign it. Mopec will help assist in filing a claim for product repair and/or replacement.
- 3.) Carefully open the containers and inspect the goods for concealed damage. If concealed damage is noticed (i.e. Broken welds, dented stainless, scratches, etc.) Follow through as noted above, and again do not discard the shipping material, they are important in settling claims.



## **INSTALLATION**

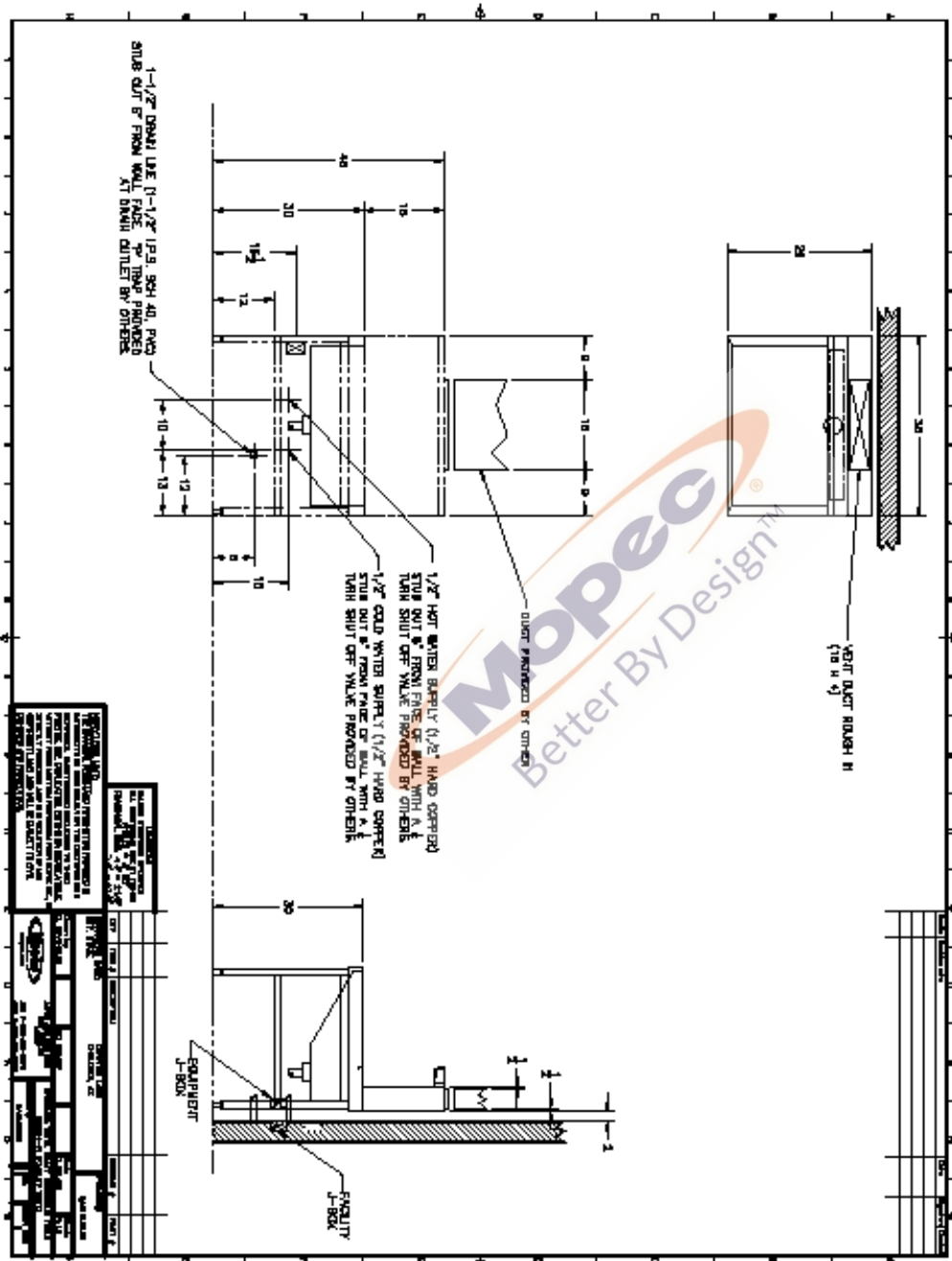
The BF900 Dissection Table requires only one electrical circuit. The Unit is prewired for the light. You will need to follow local code as to the wiring of your unit.

The BF900 Dissection Table requires only trade hook up of the hot and cold water lines. The feed lines are 1/2" copper tube. Your plumber should install shut off valves to make disconnecting the table easier if necessary. The table should be connected in accordance with local codes.

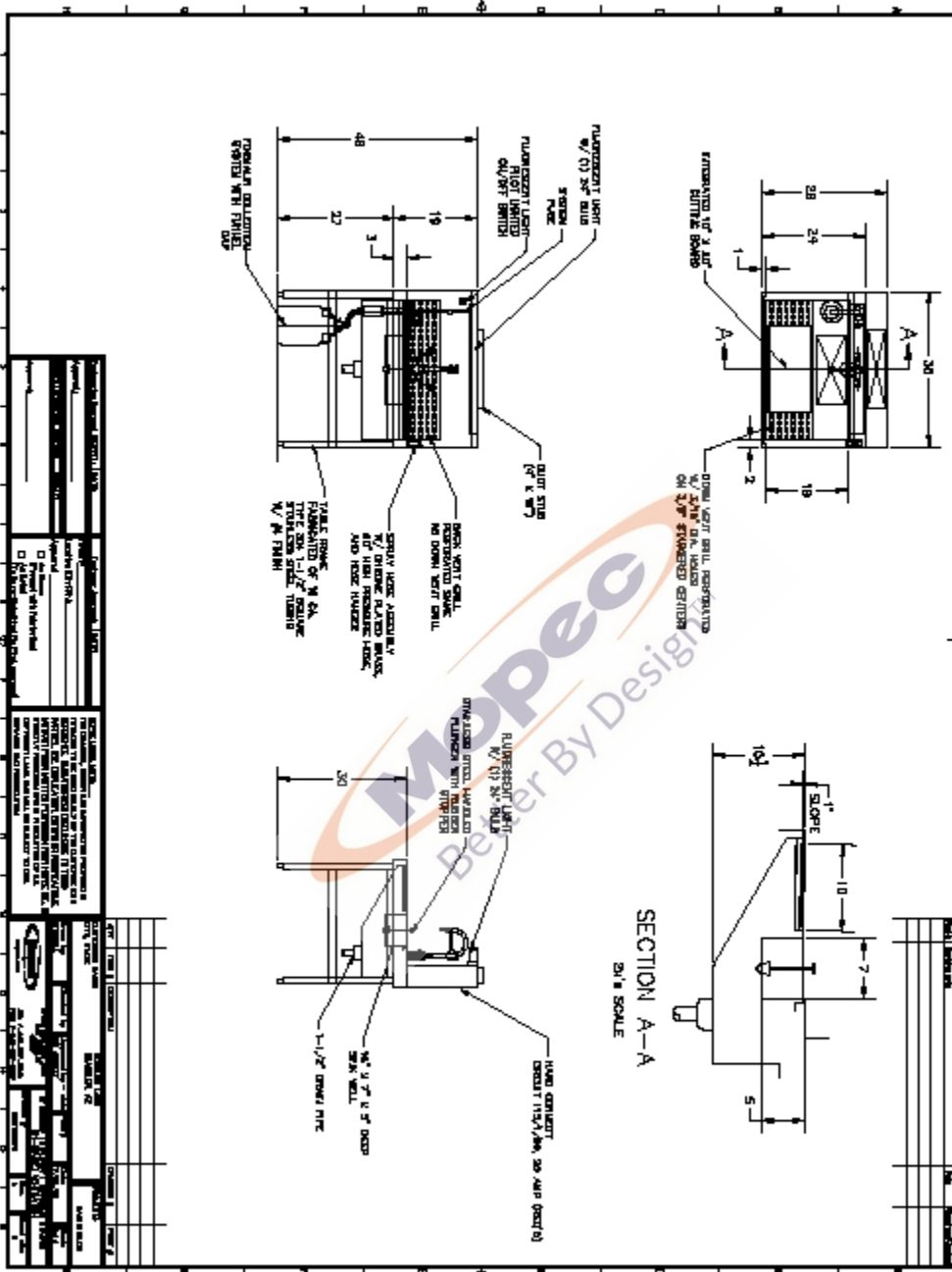
Please see the rough in drawing.



Rough In Drawing







## TROUBLE SHOOTING

Florescent Light will not turn on	Ensure unit has power – Check circuit breaker in fuse box
	Ensure both light switches are in the on position
Hand Spray does not work	Ensure water is connected to the table and the shut off valves are turned on
	Check Hand Spray shut off valve to ensure the valve is open
Fumes do not dissipate	Check to see if the building ventilation system is running, there are no fans or blowers in this unit.

## CLEANING AND MAINTENANCE

All stainless steel surfaces can be cleaned with soap and water, which will remove debris.

The stainless steel surfaces can be disinfected with a non-caustic disinfectant.

**We highly recommend you DO NOT USE a bleach solution to clean your unit. Bleach will eventually erode stainless steel if not thoroughly rinsed.**

**The use of chlorine bleach will VOID THE STAINLESS STEEL WARRANTY.**

During the cleaning we suggest wiping the surface in the same direction as the satin finish, this will help elevate dirt from the grain finish. We suggest using BE045 PathCloud or BE047 Bench Wipe for cleaning purposes.

Scratches can be removed simply by using a "non-metallic" abrasive pad. Since most abrasive pads vary from one supply to another, we suggest rubbing the entire surface to blend the scratch and blend the balance of the surface.

## WARRANTY

### MOPEC BF900 DISSECTION TABLE

### LIMITED WARRANTY

Products manufactured by Mopec will be free from defects in material and workmanship and conform to Mopec's description or specifications. If a warranty claim is made within one (1) year from the earlier of the date of acceptance/first beneficial use, the defective or nonconforming Product or Part thereof will be repaired or (at Mopec's option) replaced free of charge, FCA Mopec's dock. All warranty claims must be in writing and received by Mopec within the warranty period. The warranty is not transferable (other than to customers of Mopec's authorized Distributors), and will not apply unless the Equipment has been properly installed, maintained and operated in accordance with all instructions; and does not apply to defects, nonconformities or other failure due to Equipment misuse, abuse, modifications, or other causes outside Mopec's control. If a warranty claim is made in writing within the warranty period, the defective or nonconforming Equipment (or Part thereof) will be repaired or (at Mopec's option) replaced free of charge, FCA Mopec's dock.

**THERE ARE NO WARRANTIES WHICH EXTEND BEYOND THE DESCRIPTION ON THE FACE HEREOF. THE WARRANTY AS SET FORTH HEREIN IS IN LIEU OF ALL OTHER WARRANTIES, EXPRESS OR IMPLIED, INCLUDING ANY IMPLIED WARRANTY OF MERCHANTABILITY OR FITNESS FOR A PARTICULAR PURPOSE.**

To the extent that Mopec is acting as a supplier of Products manufactured by a third party, the Products will be warranted only to the extent that they are warranted by their manufacturers and Buyer (or its customer) agrees to look solely to the Product manufacturer for all warranty claims.

*MOPEC, 21750 COOLIDGE HIGHWAY, OAK PARK, MI 48237*



# CERTIFICATE OF REGISTRATION

This is to certify that

## **MP Acquisition, LLC DBA Mopec**

21750 Coolidge Highway, Oak Park, Michigan 48237 USA

operates a

## **Quality Management System**

which complies with the requirements of

## **ISO 9001:2008**

for the following scope of registration

**The registration covers the quality management system for the design, engineering, manufacturing and installation of equipment and distribution of supplies for morgue, pathology, histology and necropsy applications.**

Certificate No.: CERT-0078089  
File No.: 1068177  
Issue Date: March 11, 2014

Original Certification Date: April 9, 2008  
Current Certification Date: April 7, 2014  
Certificate Expiry Date: April 6, 2017

Chris Jouppi  
President,  
QMI-SAI Canada Limited

Samer Chaouk  
Head of Policy, Risk and Certification



ISO 9001



Registered by:  
SAI Global Certification Services Pty Ltd, 286 Sussex Street, Sydney NSW 2000 Australia with QMI-SAI Canada Limited, 20 Carlson Court, Suite 200,  
Toronto, Ontario M9W 7K6 Canada (SAI GLOBAL). This registration is subject to the SAI Global Terms and Conditions for Certification. While all due care  
and skill was exercised in carrying out this assessment, SAI Global accepts responsibility only for proven negligence. This certificate remains the property  
of SAI Global and must be returned to them upon request.  
To verify that this certificate is current, please refer to the SAI Global On-Line Certification Register: [www.qmi-saiglobal.com/qmi\\_companies/](http://www.qmi-saiglobal.com/qmi_companies/)

