

We are pleased that you have selected and purchased the BSN medical Bone Dust Vacuum. For optimal performance this owner's manual and these operating instructions should be read completely prior to operating the equipment. File this manual in your maintenance records for reference by personnel not familiar with the equipment.

## Warranty Service Procedures

Warranty service may be obtained by returning the inoperative product to a special autopsy authorized BSN medical repair facility. You must call BSN medical at 828-879-5100 ext. 4301 for information regarding the location of the authorized repair facility nearest you. Only OSHA certified facilities are equipped to handle autopsy units.

## Limited Warranty

This product is warranted by BSN medical to be free from defects in material and workmanship for a period of ONE YEAR from the date of purchase by the original user. This warranty is granted only to the original user and is subject to the following provisions:

### What is not covered:

1. Parts, such as filters, that require replacement under normal use.
2. Damage or malfunction resulting from:
  - Negligent use or misuse of the product.
  - Use with improper voltage or current
  - Use contrary to the operation instruction and limitations stated herein
  - Improper maintenance
  - Improper assembly or
  - Alteration or modifications to the product which adversely affect the product's operation, performance or durability, or that change the product's intended use.

## Disclaimer of Implied Warranty

To the extent it is permissible by law, BSN medical disclaims all implied warranties, including any warranty of MERCHANTABILITY and any warranty for FITNESS FOR A PARTICULAR PURPOSE. There are no warranties which extend beyond the limited express warranty described above. Should any warranty be implied by law in connection with the purchase of this product by the original user despite the foregoing disclaimer, including any warranty for FITNESS FOR A PARTICULAR PURPOSE, such warranty shall be limited to the one year limited express warranty period.

### Remedy:

BSN medical will, at its option, repair or replace a defective product that is covered by this warranty pursuant to the terms for "Warranty Service Procedures" stated above. The remedy for breach of warranty is strictly and exclusively limited to repair or replacement of nonconforming products, and BSN medical does not authorize anyone, including but not limited to its distributors, to extend or offer any additional remedy. IN NO EVENT SHALL BSN medical BE LIABLE FOR ANY CONSEQUENTIAL OR INCIDENTAL DAMAGES. Some states do not allow the exclusion or limitation of incidental or consequential damages so the above limitation or exclusion may not apply to you.

THIS WARRANTY GIVES YOU SPECIFIC LEGAL RIGHTS. YOU MAY ALSO HAVE OTHER RIGHTS WHICH VARY FROM STATE TO STATE.

## Vacuum Specifications

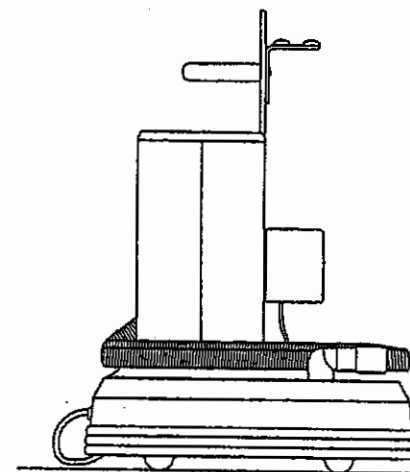
Model No.: 0295-420  
Electrical: 115VAC 50-60 Hz 8.5A  
Cord Length: 10 ft  
Height: 23 1/2 in  
Width: 15 in  
Length: 23 in  
Weight: 27 lbs  
Hose: 1 1/4 in I.D x 120 in

Model No.: 0295-421  
Electrical: 230V AC 50-60 Hz 4.8A  
Cord Length: 10 ft  
Height: 23 1/2 in  
Width: 15 in  
Length: 23 in  
Weight: 27 lbs  
Hose: 1 1/4 in I.D x 120 in

phone: 800-552-1157  
fax: 704-358-4558

website: [www.bsnmedical.com](http://www.bsnmedical.com)

500737 RN



# BONE DUST VACUUM

## Owner's Manual and Operating Instructions

Model No. 0295-420  
Part No. 74470-18  
115 VAC 50-60 Hz

Model No. 0295-421  
Part No. 74470-19  
230 VAC 50-60 Hz

Your BSN medical Bone Dust Vacuum consists of the following:

- One dust collection unit with one pre-installed filter cartridge -
- One vacuum hose -
- Six hose/cord clips -
- Two storage caps for the filter cartridge -
- One instrument hanger bar -



## Warnings!

- Plug the Bone Dust Vacuum into a hospital grade receptacle only. Adequate grounding can be assured only when connected to an equivalent receptacle marked "Hospital Grade".
- Read instructions completely to assure proper operation.
- Do not operate in areas where flammable or explosive vapors may be present.
- When disconnecting from an outlet, pull on the plug. Never disconnect by pulling cord.
- Connection and disconnection from the mains is by plugging into/unplugging from a hospital grade receptacle.
- Do not immerse in any liquid or autoclave.
- Do not use to vacuum liquids.
- Do not operate without filter in place.
- Inspect the vacuum and relay box for damage. Do not use if damage is apparent.
- Do not clean with bleach.

## Periodic Maintenance

- Grounding continuity should be checked annually.
- Leakage current should be tested annually. Leakage current should not exceed 100 micro amps.
- Inspect all cords for cracks or tears annually.
- Bearing Lubrication - none required. Bearings are lubricated for life.
- Inspect nozzle assemblies for secure fit annually.

## Cleaning the Vacuum System

- Unplug the vacuum system prior to cleaning. Exterior surfaces may be cleaned with a soft cloth or sponge dampened with CIDEX™ or Lysol™. Wipe dry.
- Do not allow liquids to splash or seep inside the relay box. Use care when cleaning around switches and receptacles.
- Do not steam sterilize, autoclave or immerse in liquids.

## Reminders

- Use of the Bone Dust Vacuum involves routine direct contact with potential blood-borne pathogens. BSN medical strongly recommends compliance with OSHA's Universal Safety Precautions when handling this instrument.

## Symbol Definitions

- ⚠ Attention, consult accompanying documents
- ⚡ Attention, dangerous voltage
- Ⓜ POWER ON: Alternating Current
- Ⓜ POWER OFF:

## Filter Replacement

Replace filter cartridge when vacuum suction reduces dramatically, or visually check filter cartridge by removing filter cartridge per Step #3. Filter cartridge replacement is necessary when filter cartridge contents are level with hose inlet tube (dark tube inside of filter cartridge).

**Step #1** Disconnect the vacuum power cord from the hospital grade receptacle.

**Step #2** Remove the vacuum housing lid.

**Step #3** Grasp the filter cartridge and pull straight up.

**Step #4** Insert the storage caps in the filter cartridge. Dispose of the filter cartridge.

**Step #5** Remove storage caps from new filter cartridge and position filter in the vacuum. Align hose inlet with small inlet on the filter. Press down on filter firmly.

**Step #6** Place storage caps in vacuum housing lid for later use.

**Step #7** Replace vacuum housing lid.

**Step #8** Plug into Hospital Grade receptacle. The system is ready for use.

## Operations

To operate the vacuum with the saw, place the switch in the "saw/vacuum operation" position.

For general cleaning purposes, place the switch in the "Vacuum" or "Vacuum on" position. The hose is easily detached from the saw by grasping hose and pulling away from vacuum.

When unit is not in use, wrap hose around the base unit, place the saw in the hanger assembly as shown, and place the switch in the "off" position.

Attach loose hose end to vacuum/saw

Hanger bracket for saw.

Six cord ties are provided for binding vacuum hose and saw power cord together. Place saw power cord in circular groove inside tie, wrap tie around hose and button shut. The locations may vary per user preference.

Power source for saw.

Power cord inlet and outlet are already assembled. Please review in case of disconnection. Male and female plugs will not allow improper connection. Routinely check to ensure firm connections.

Vacuum hose is replaceable. For replacement, remove old hose by grasping hose end and pulling away from vacuum. Press new hose onto vacuum inlet until hose adapter is flush with vacuum inlet.

## Saw Hanger Assembly - Required before vacuum use.

**Step #1** Remove the vacuum housing lid.

**Step #2** Slide the saw hanger assembly into the slot on the flat side of vacuum top.

**Step #3** Gently push until the hanger rests on the vacuum base.

**Step #4** Replace the lid on the vacuum housing.

**Step #5** Place Saw in slot provided.